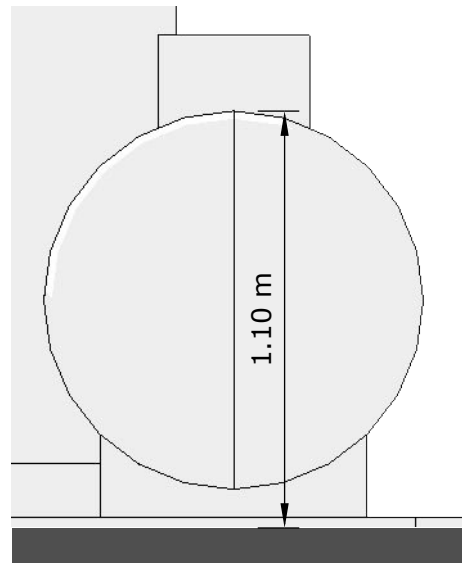
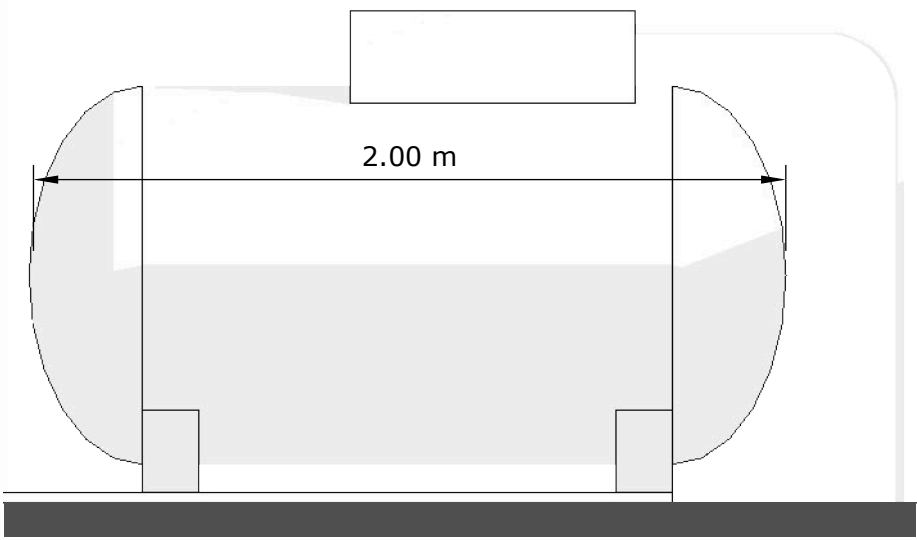


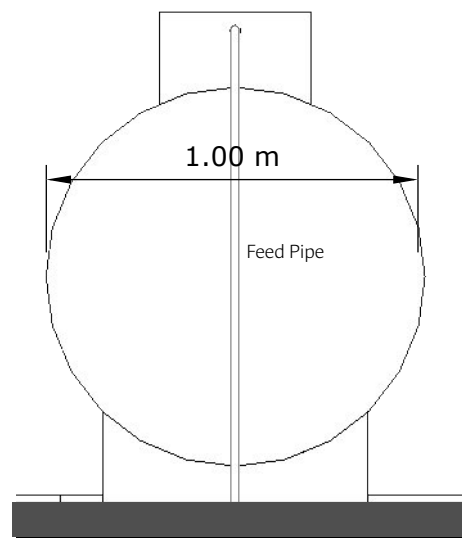
East Elevation of Proposed Tank



North Elevation of Proposed Tank



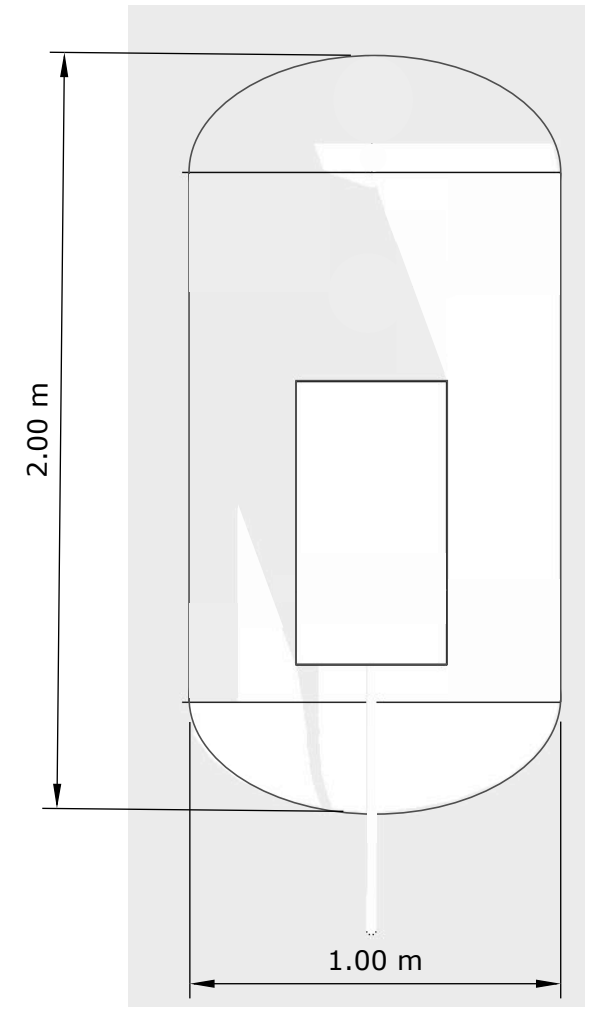
West Elevation of Proposed Tank



South Elevation of Proposed Tank

Note:

Technical details of Proposed Tank submitted under separate cover



Plan of Proposed Tank



Planning Package  
 Page 16 - Installation Elevational Detail 1:20 @ A4  
 Document Reference: 0267\_004a