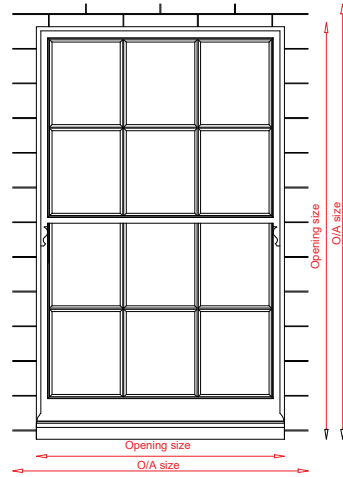
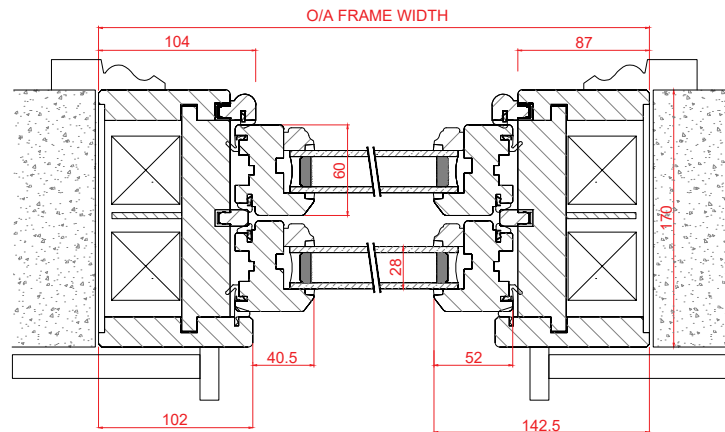


VERTICAL CROSS SECTION THROUGH WINDOW



Elevation view from outside (not to scale)



HORIZONTAL CROSS SECTION THROUGH WINDOW

0 50 100 150 200 250mm

Scale: 1:5 @ A4

NOTES

Use figured dimensions only. Scale drawing only when a scale bar is present. All dimensions to be checked by user and any discrepancies, error or omissions to be reported to the architect before work commences. Read this drawing with all relevant materials.

General notes

1. Windows to be glazed with clear Timbalite 4/6/4 or 4/4/4 low E krypton filled double glazed units with black spacer bars. Glazing units can be putty faced and timber beaded.
2. Glazing units within 800mm of finished floor level to be toughened safety glass to BS.6206.1981 & restrict fitted as required.
3. All timber to be Accoya/Hardwood (window units and frame).
4. All windows to be fully weather stripped with schlegel aquamac soft compression seals.
5. Windows to be fitted with lead counter balance weights.
6. Ironmongery to include 4 x bearing type sash pulleys - 2 x sash lifts - 1 x fitch catch; colour/finish - polished chrome
7. Security - Provide 2 no security sash stop locks to each set of opening sashes.
8. Paint finish: white factory spray applied microporous paint.

Rev Date Dm Chkd Description

Purpose of Issue:  
**CONSTRUCTION ISSUE**

client:  
**Commercial Development Projects**  
project:  
**104-106 High Street, Sevenoaks**

drawing title:  
**Window Details  
Vertical + Horizontal Sections**

scale of A4: 1:5    date: Jan 2022    drawn by: GG    checked by: AT

drawing number: 1524-CON-1450    revision: -

**accord**  
architecture  
www.accordarchitecture.com

Compton House, Walnut Tree Close, Guildford, Surrey, GU1 4TX  
[T] 01483 455100 [F] 01483 455210 [E] design@accordarchitecture.com