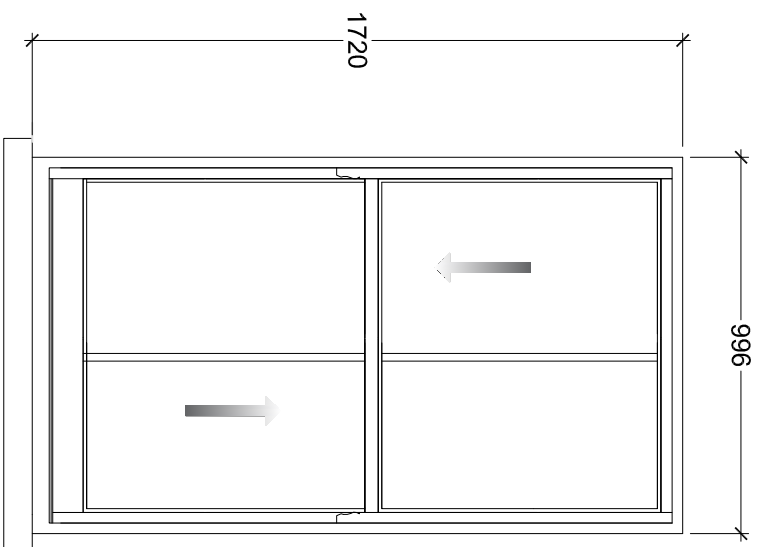


General Notes:

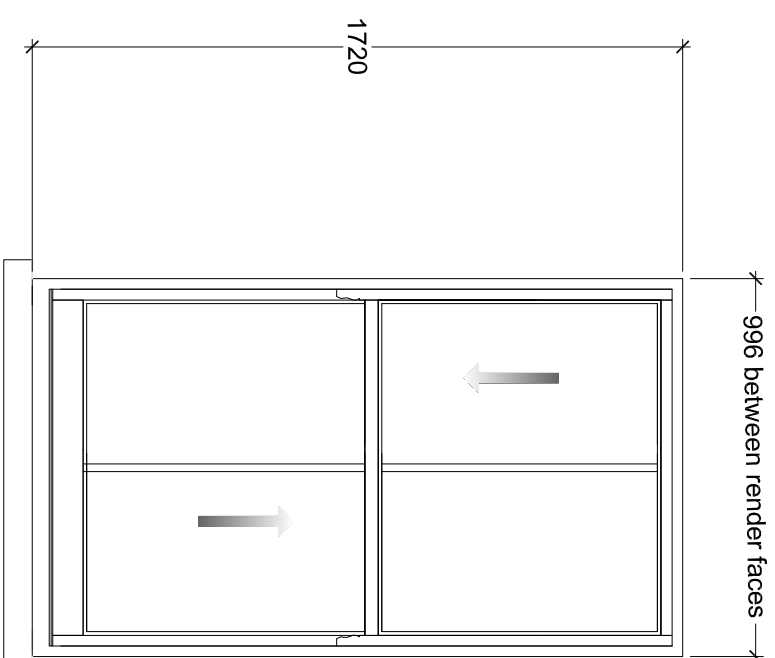
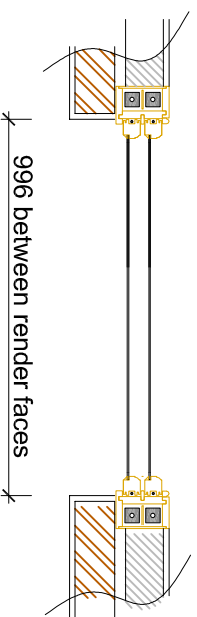
Do not scale dimensions from this drawing, unless for Planning purposes.

The Contractor is responsible for checking all dimensions on site prior to commencement of the works.

This drawing is to be read in conjunction with the specification.

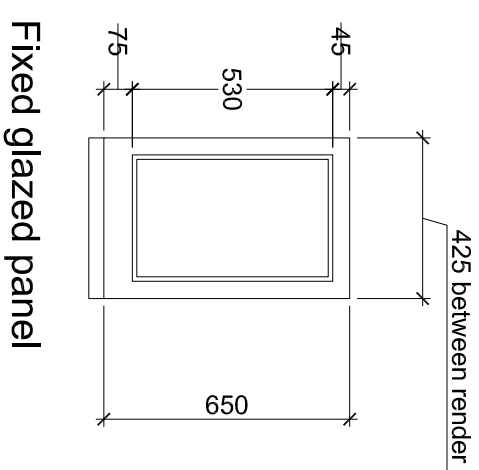


W4

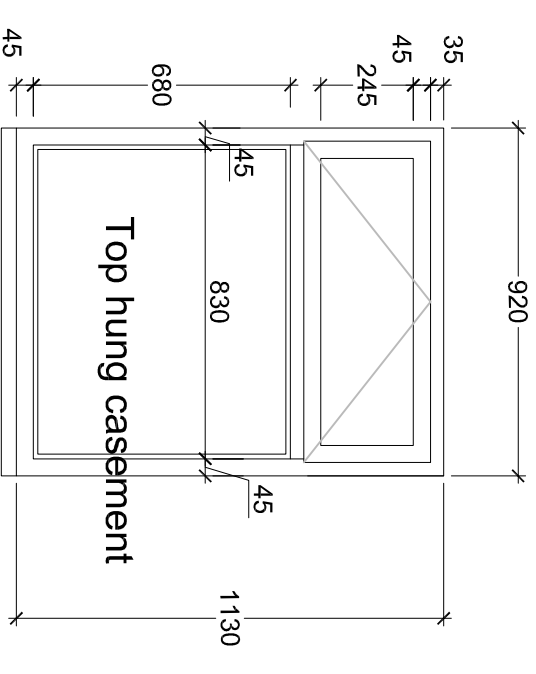


W5

Existing Windows - single glazed timber vertical sliding windows - refer to W1 for dimensions.



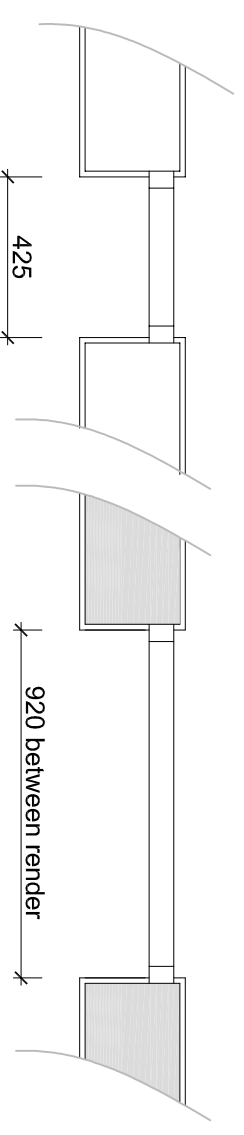
W6



W7

Existing Windows W6
timber casement wido

Existing Windows W6 & W7 - single glazed timber casement widows



Brian Elstone Surveying Services Ltd

Brian Elstone, MCIQB, IMapS, FCABE
Building Surveyor and Architectural Consultant
CDM Consultant
1 Herne Court, Station Road, Rusington,
West Sussex, BN16 3BQ
Phone: 01903 784884, Mobile: 07710 593021.
Email: brian@elstone.biz

Client:
Fryzer Property Services, 30 York Road, Worthing, BN11 3EN

Project:
Window Replacement - 67 St Leonards Ave. Hove, BN3 4QH

Drawing Title:
Existing Windows sheet 2

Revision	Date	Description
----------	------	-------------

Scale: Date: Drawn By:

1:20 08/12/2021 BE

Drawing Number: Revision:

1495-003 -