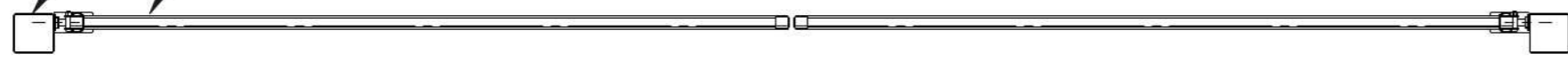


8 7 6 5 4 3 2 1

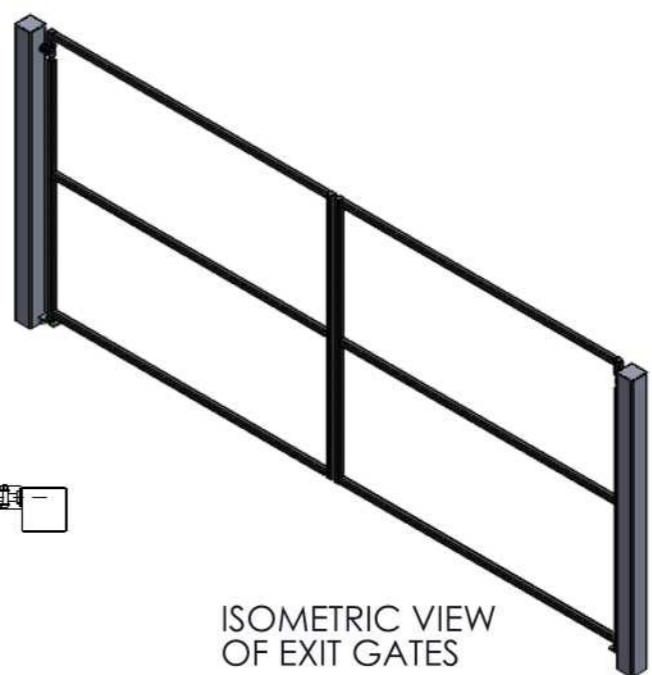
F  
E  
D  
C  
B  
A

150 x 150 GATE POSTS  
SET INTO ROAD SURFACE

VISIBLE OPERATORS  
FITTED TO REAR  
FACE OF GATES

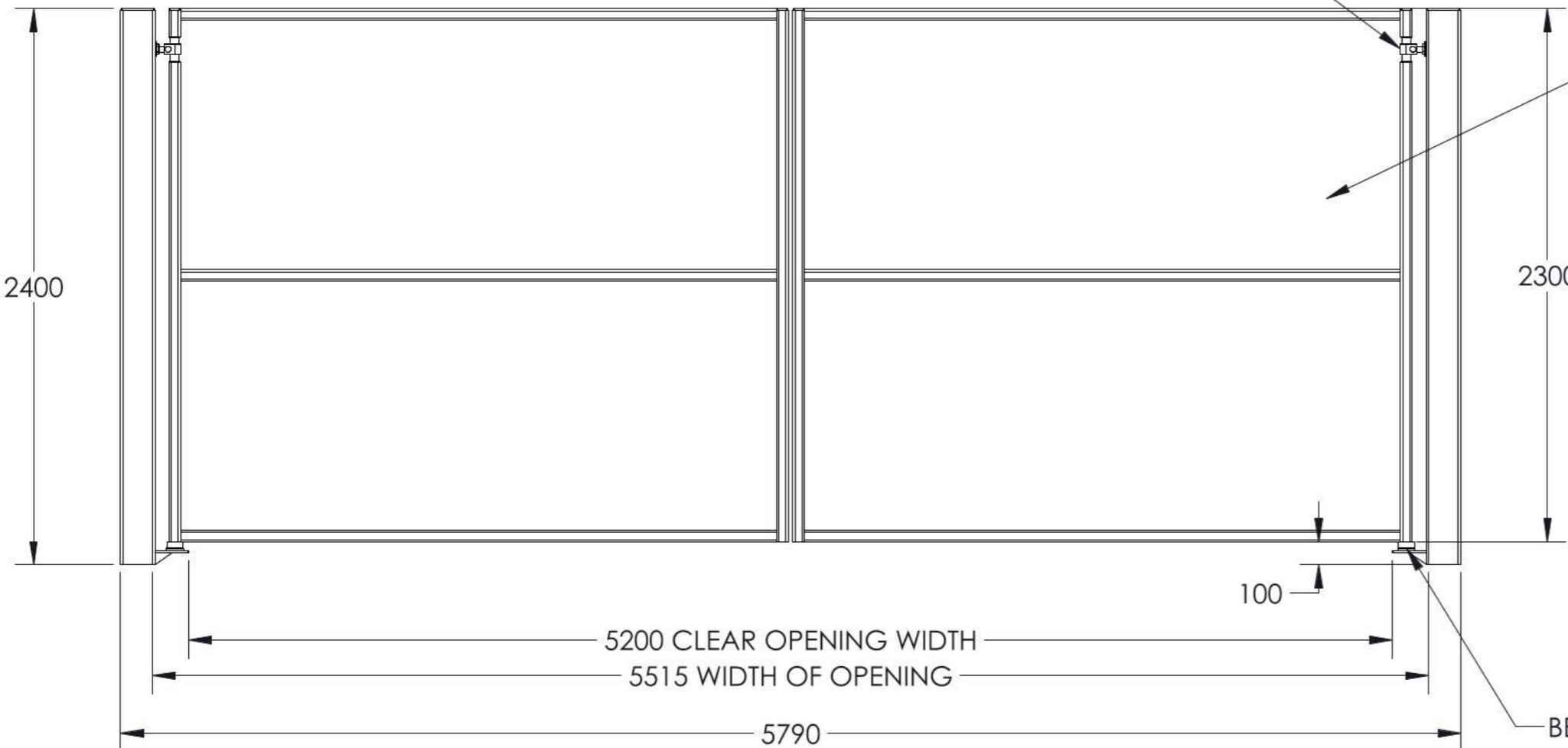


PLAN VIEW OF EXIT GATES



ISOMETRIC VIEW  
OF EXIT GATES

ADJUSTABLE  
CLASP HINGE



BOTH GATE LEAVES  
CLAD WITH SHEETS OF  
358 SECURITY MESH

ELEVATION VIEW OF EXIT GATES

8 7 6 5 4 3 2 1

General Notes

Gate Leaf Material: STEEL  
Gate Leaf Finish: HDG/POWDER COAT  
Gate Leaf Colour: RAL 9005 JET BLACK

Gate Post Material: STEEL  
Gate Post Finish: HDG/POWDER COAT  
Gate Post Colour: RAL 9005 JET BLACK

ALL DIMENSIONS TO BE VERIFIED BY THE CONTRACTOR ON SITE.  
ALL RIGHTS RESERVED. NO REPRODUCTION OR TRANSMISSION OF THE DRAWING IS  
PERMITTED WITHOUT CONSENT.  
ALL DIMENSIONS IN MILLIMETERS.  
ANY DISCREPANCIES TO BE REPORTED TO THE PROJECT MANAGER IMMEDIATELY.  
DO NOT SCALE FROM DRAWING.

Design Status:- Design

REV.	Revision/Issue	DATE
A	ISSUED	16/11/2021

6 Christy Court, Christy Way  
Southfields Business Park  
Basildon, Essex, SS15 6TL  
**Tel: 01268 419 216**  
**Tel: 0845 838 6931**  
Email: info@premiergate.co.uk  
www.premiergate.co.uk  
Vat No: 865950188 Company No: 05523260

© Copyright Premier Gate Automation Ltd

Project:- VEHICLE SWING GATES

Project Address:-  
PREMIER INN - RITZ PARADE, W5 3RA

Client:-  
NEWPARK SOLUTIONS LTD

Drawing number:- Q15697

SHEET 1 OF 1

Title:- VEHICLE SWING GATES

Date:- 16/11/2021

Drawn by: D.J.

Checked by: R.W.

Scale: 1:25

Paper size: A3