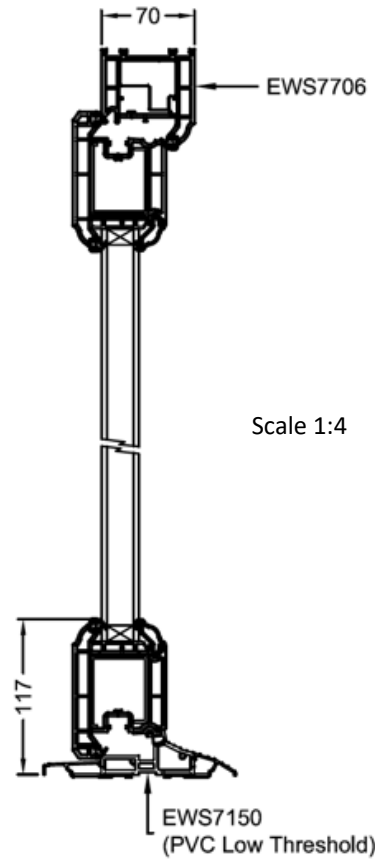
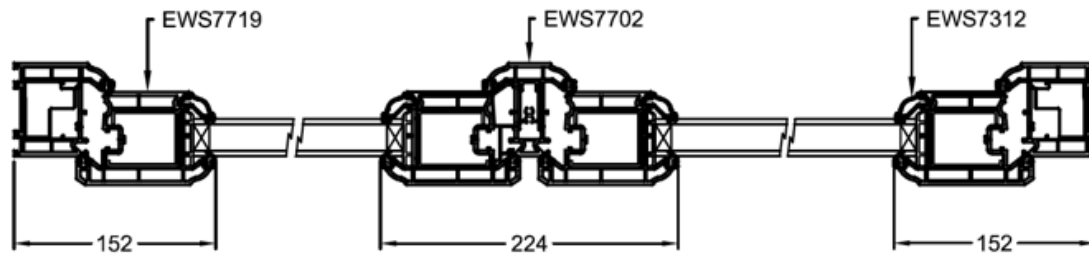


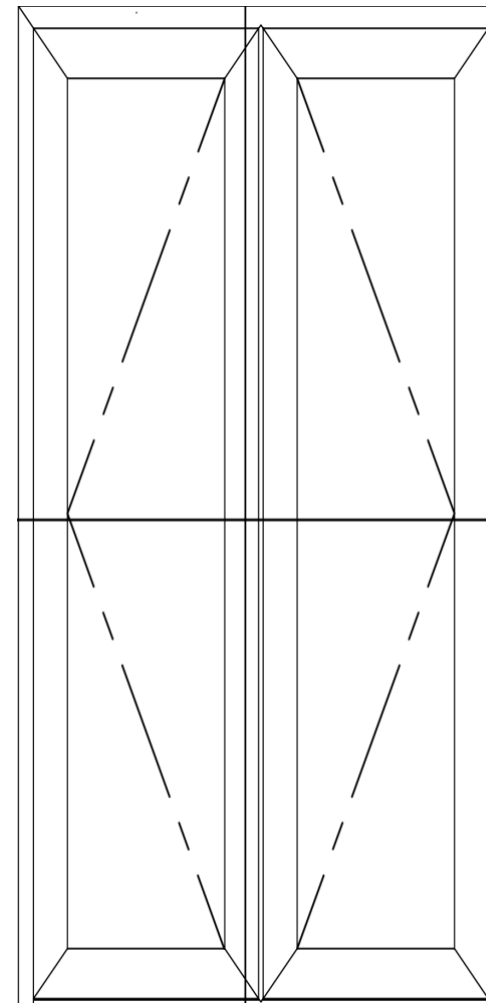
Project: Proposed second floor new Upvc window at rear elevation

48 Creffield road, W5 3RP

DATE: 15 January 2022



Scale 1:4



Scale 1:4