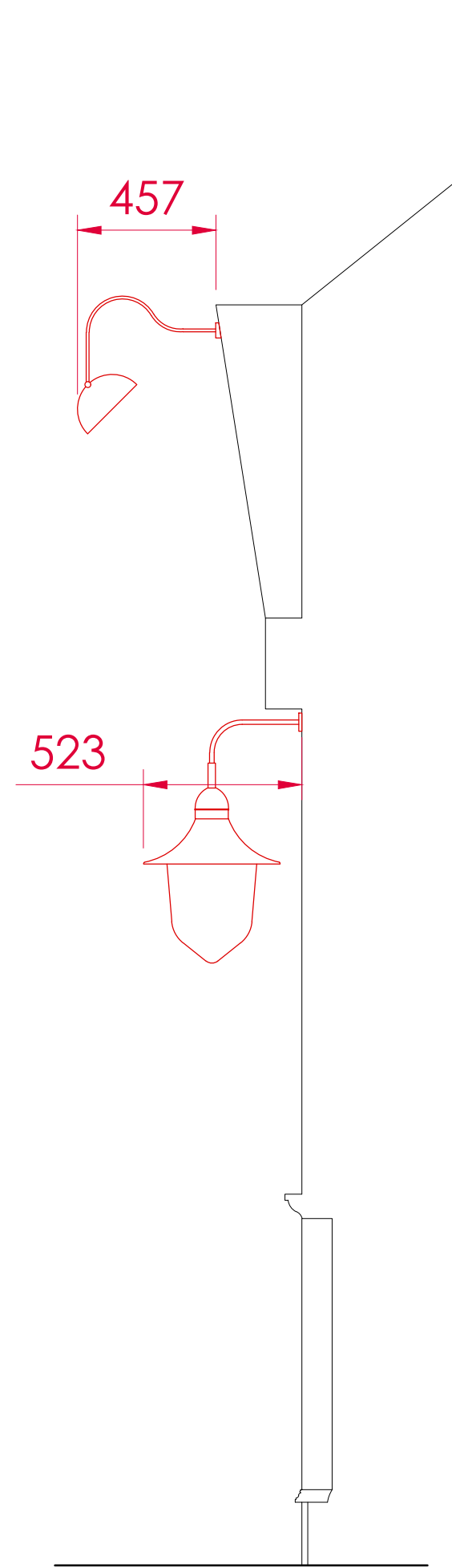
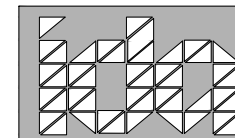


"Copyright in this drawing remains with the designer. Responsibility is not accepted for errors made by others in scaling from this drawing. All construction information should be taken from figured dimensions only. Check all dimensions on site. In case of any discrepancy, refer query to the designer."



PROPOSED SECTION THROUGH SHOPFRONT - 1:20



0161 428 0310
 office@inventiveda.com
 www.inventiveda.com
 @inventiveda

PLANNING DRAWINGS			
Rev	Description	By	Date
INVENTIVE DESIGN ASSOCIATES ARCHITECTURE & INTERIOR DESIGN Abney Hall, Manchester Road, Cheadle, SK8 2PD Company Reg No: 9251414			
THE CRAFTY PIG 508 Great Western Road, Glasgow G12 8EL for Greene King			
PROPOSED SECTION THROUGH SHOPFRONT		DRAWN AR	DATE 19-01-22
SCALE 1:20@A3		REV.	DRAWING NO. 21115-308