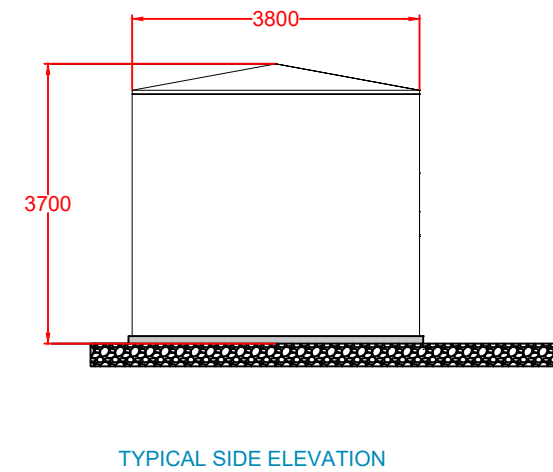
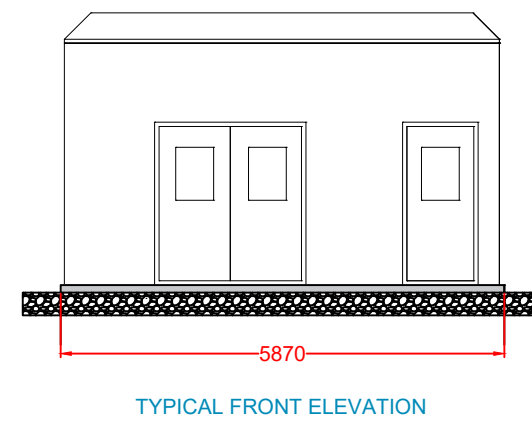
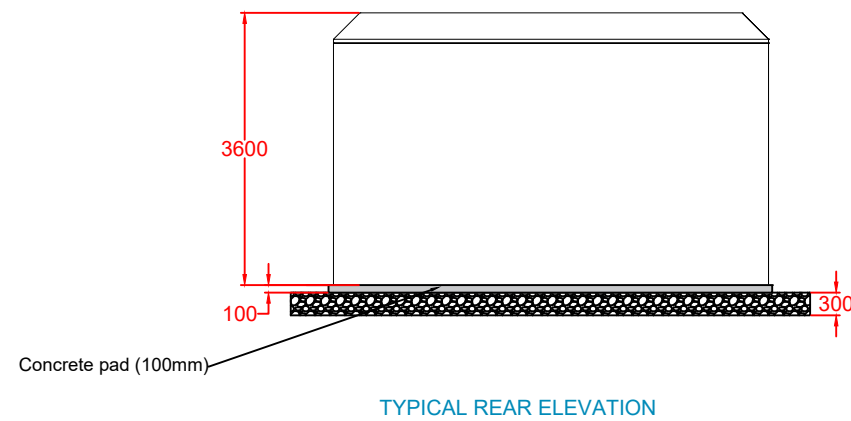
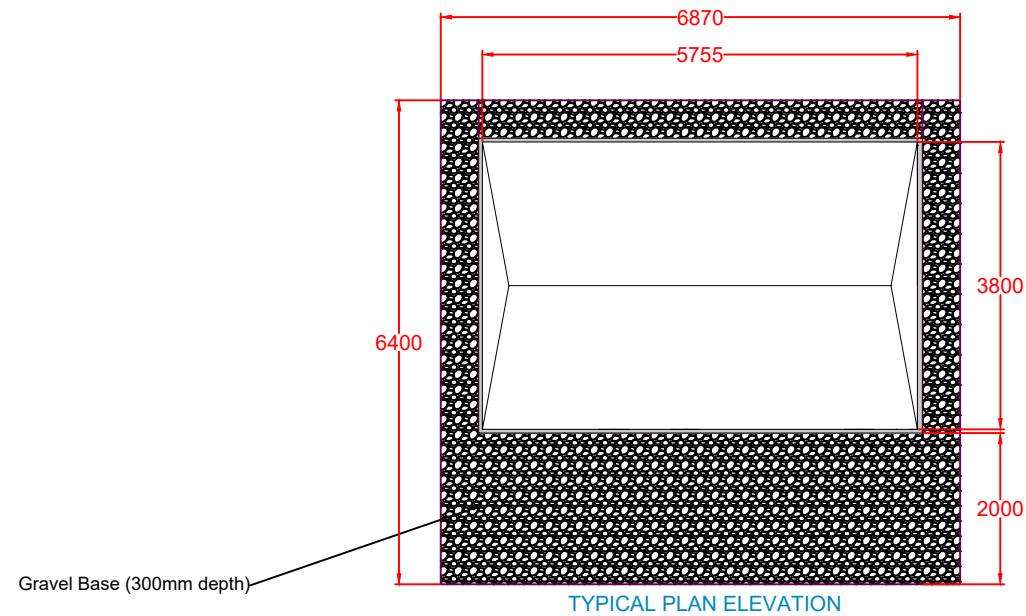


© 2021 RPS Group

Notes

1. This drawing has been prepared in accordance with the scope of RPS's appointment with its client and is subject to the terms and conditions of that appointment. RPS accepts no liability for any use of this document other than by its client and only for the purposes for which it was prepared and provided.
2. If received electronically it is the recipients responsibility to print to correct scale. Only written dimensions should be used.



Rev	Description	By	CB	Date



2 Callaghan Square, Cardiff, CF10 5AZ
T: 02920 668 662 E: rpsca@rpsgroup.com

Client ELGIN ENERGY EsCO LTD

Project THORPE ESTATE

Title TYPICAL DNO SUBSTATION PLANNING DETAILS

Status	Drawn By	PM/Checked by
Planning	GG	AL
Job Ref	Scale @ A3	Date Created
JPW1425	1:100	DEC 2021

RPS Drawing/Figure Number	Rev
JPW1425-16	-

rpsgroup.com