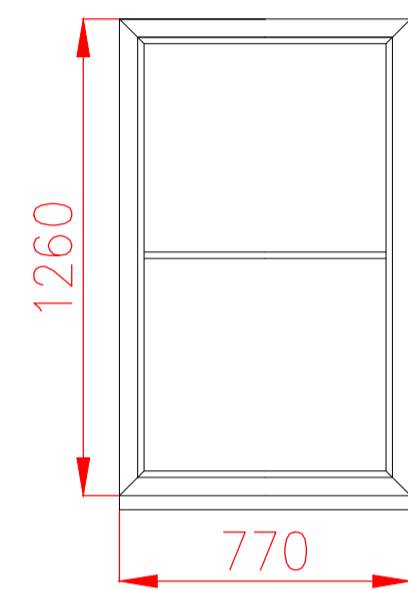
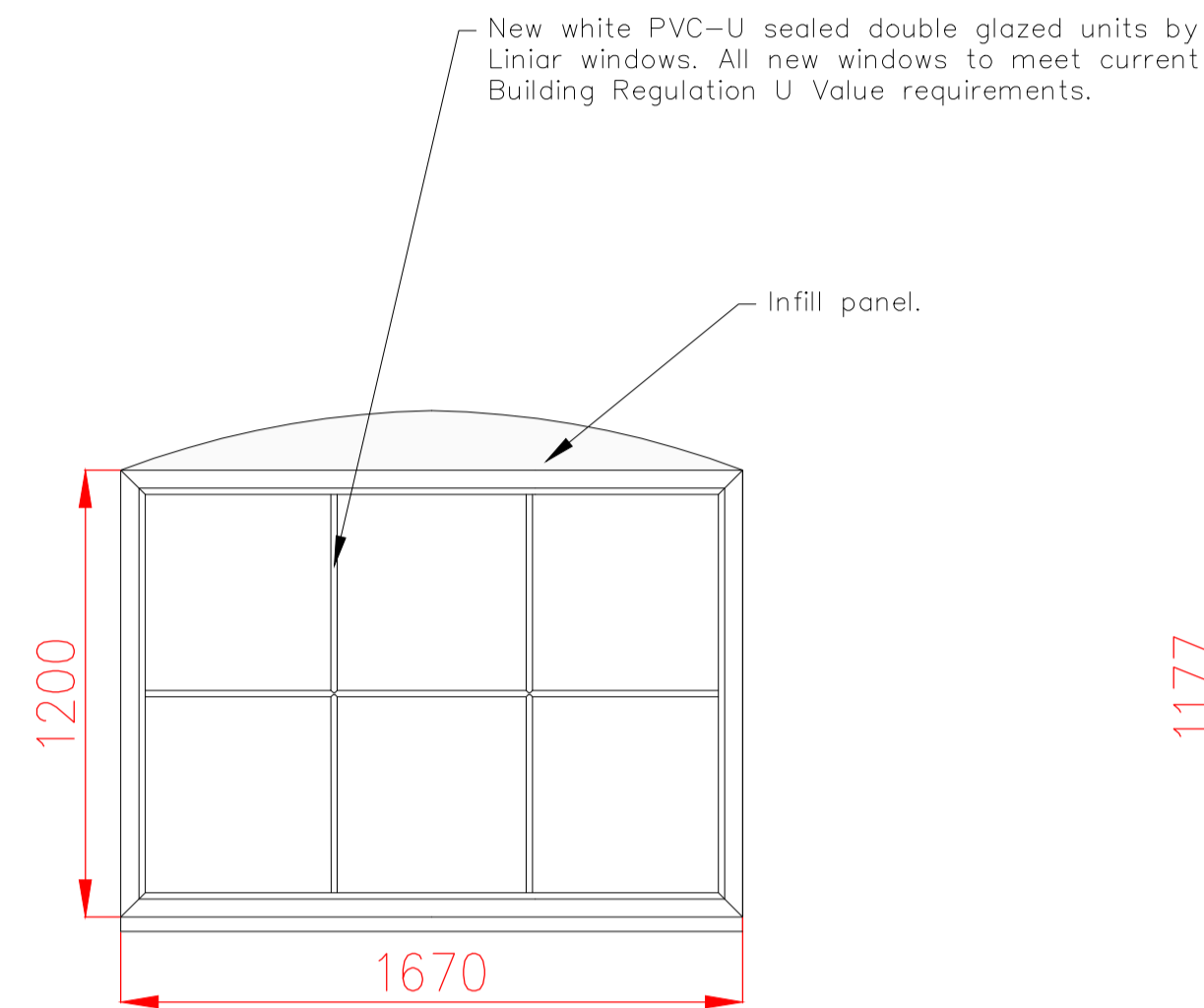


Windows 9, 11, 33, 35, 47 and 49:

Windows 10, 34, 48, 52 and 53:

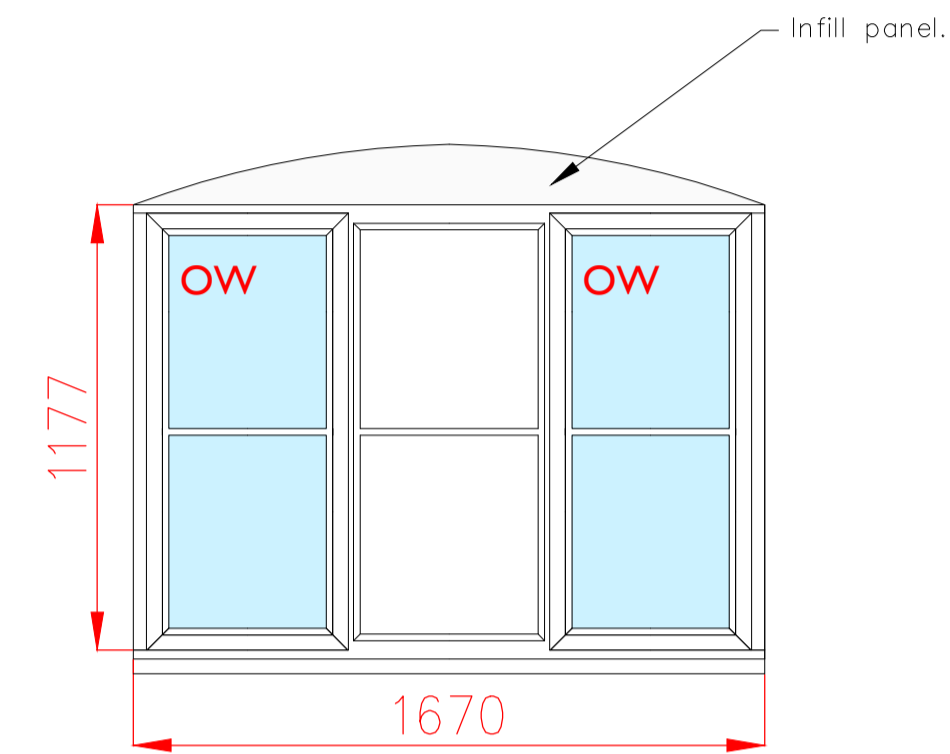


Window 12:

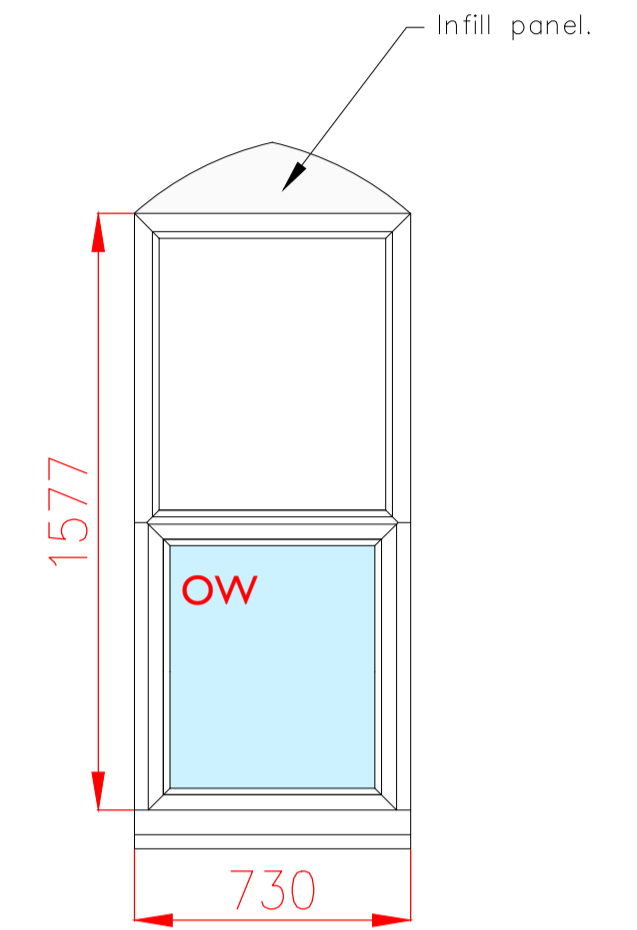


Window 13:

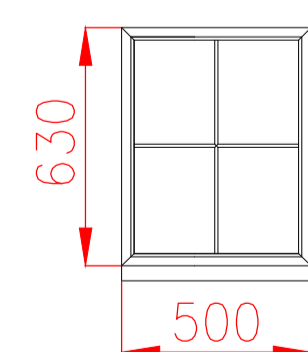
Window numbers relates to window numbers shown on existing and proposed elevation drawings. Refer to Drawing No's: D00039/21/1/SU02 and P08.



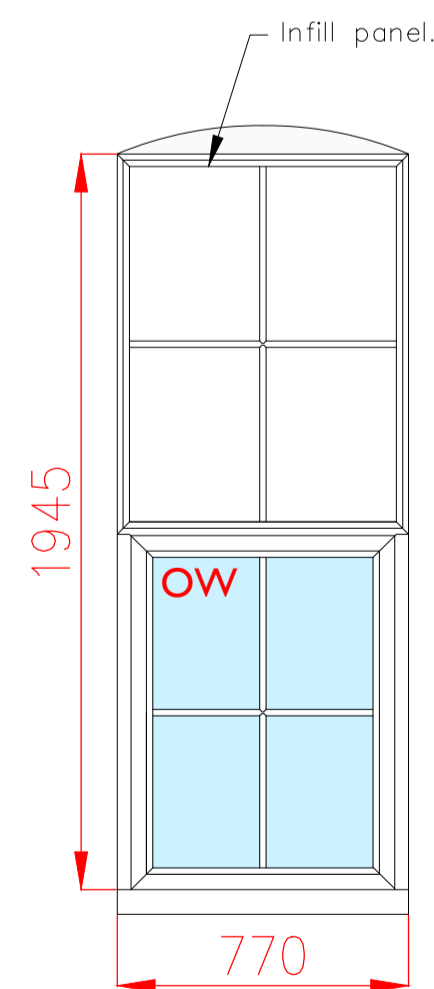
Windows 15 and 30:



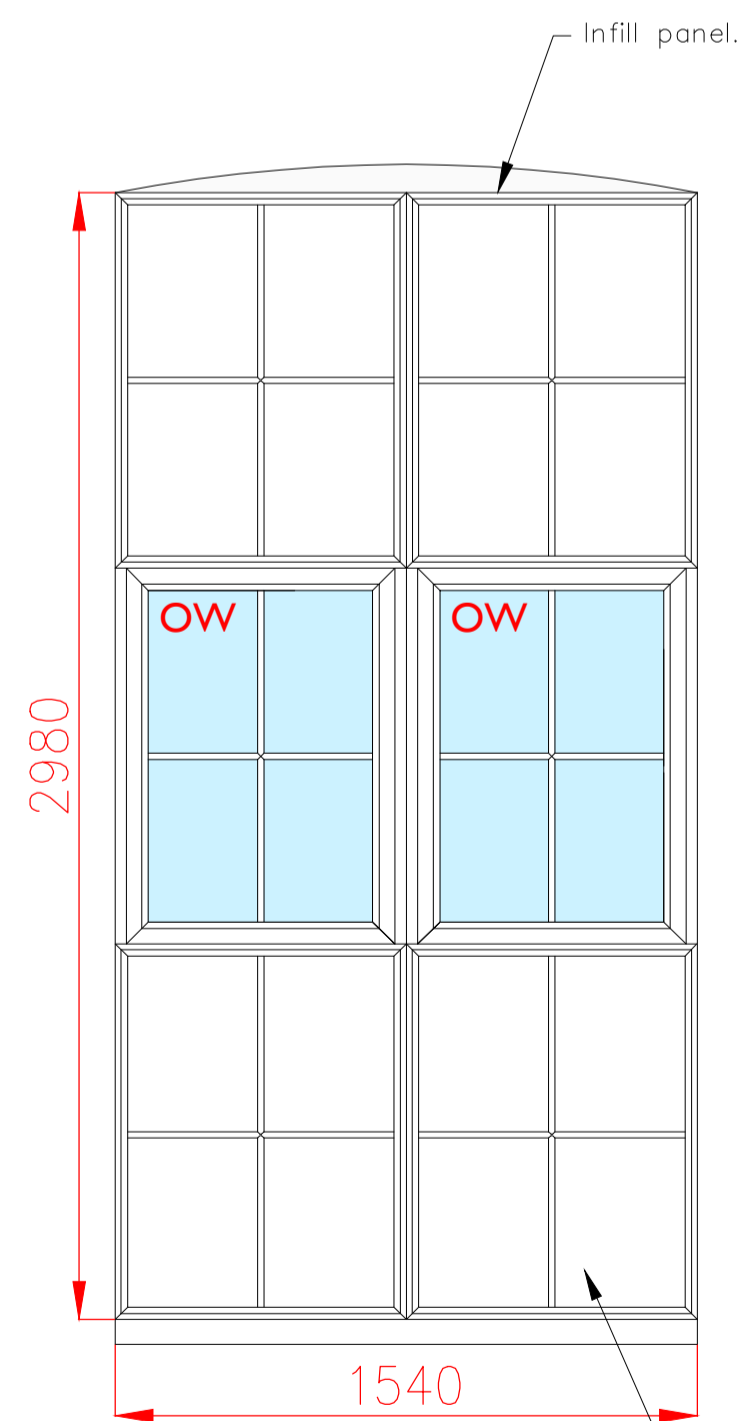
Windows 16, 17, 18, 19, 36, 37, 38, 39, 40, 41, 42, 43, 44, 45 and 46:



Window 21:

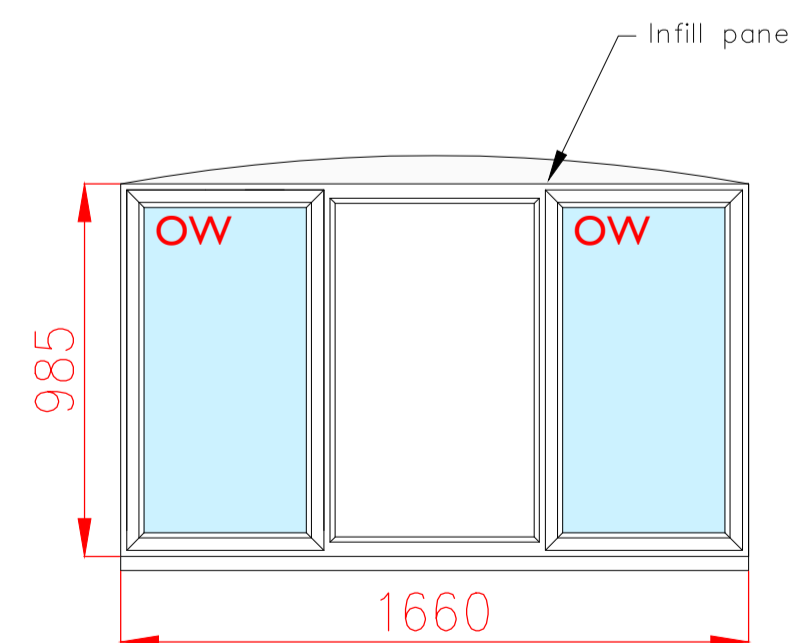


Windows 24, 26, 27 and 29:

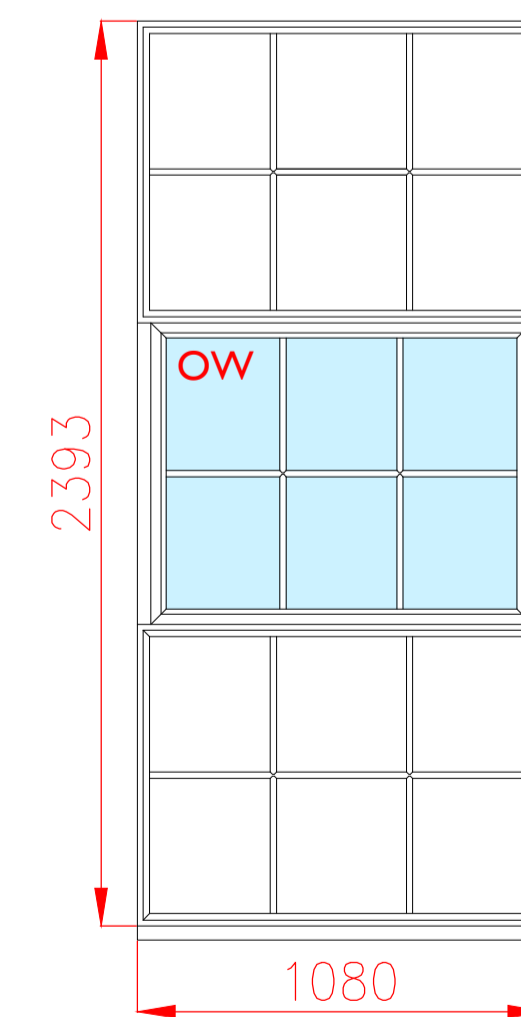


Windows 25 and 28:

New white PVC-U sealed double glazed units by Linar windows. All new windows to meet current Building Regulation U Value requirements.



Window 31:



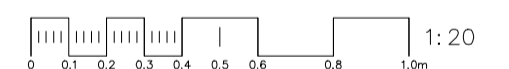
Windows 50 and 51:

IMPORTANT INFORMATION

THIS DRAWING MUST BE READ IN CONJUNCTION WITH ALL OTHER INFORMATION CONTAINED ON RUSSEN & TURNER DRAWINGS. THIS DRAWING MUST NOT BE REVIEWED IN ISOLATION.

DIMENSIONS MUST NOT BE SCALED FROM THIS DRAWING. ALL DIMENSIONS ARE APPROXIMATE. ANY DIMENSIONS SHOWN ARE IN MILLIMETERS.

THIS DRAWING HAS BEEN PREPARED FOR PLANNING PURPOSES ONLY.



Revision :	Date :
Project :	Russen & Turner 17 High Street Kings Lynn Norfolk PE30 1BP Phone: 01553 768256
Southerny Academy Westgate Street, Downham Market, Norfolk, PE38 0PA.	

Client : Eastern Multi-Academy Trust (EMAT)

Drawing Title : Proposed window elevations.