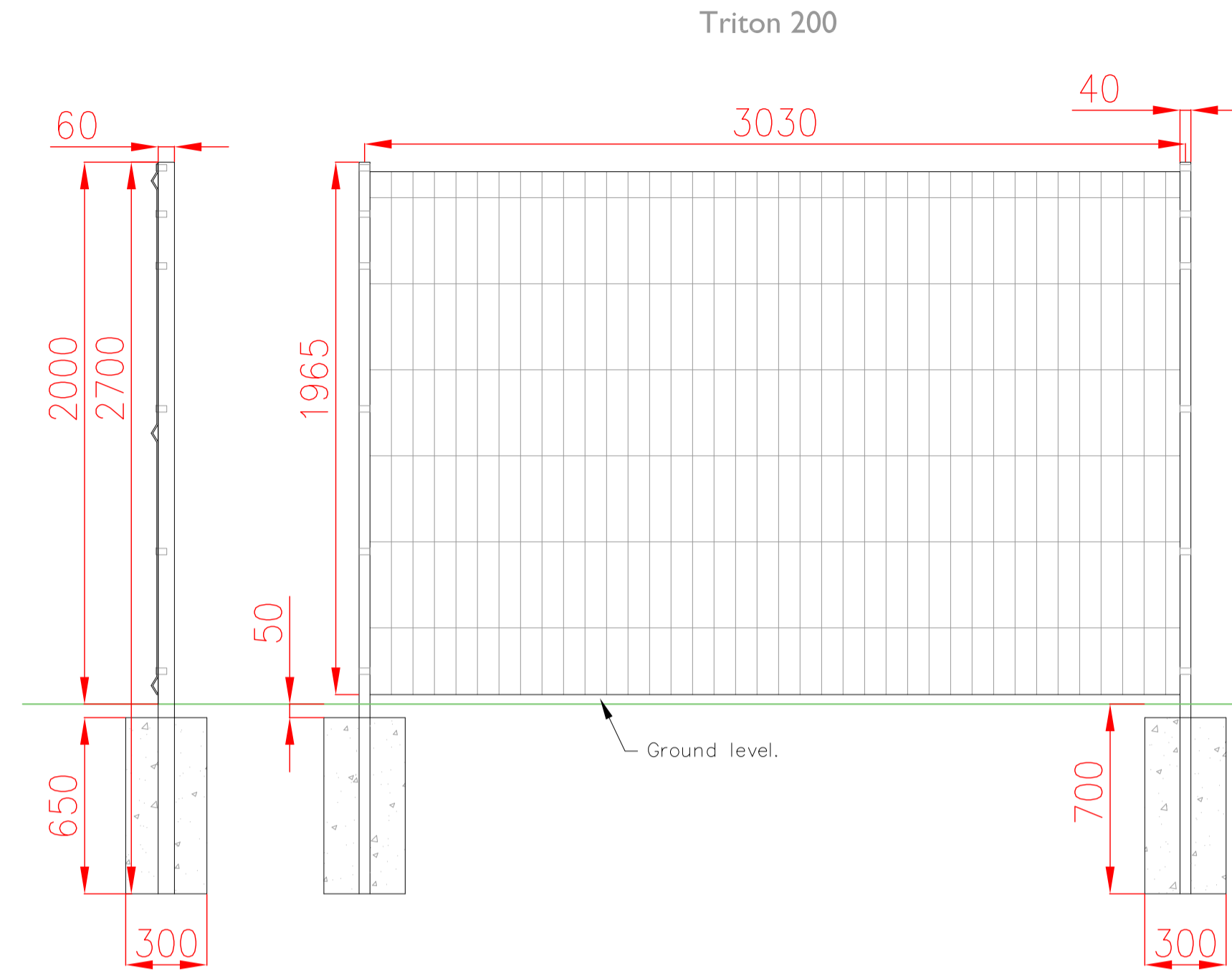
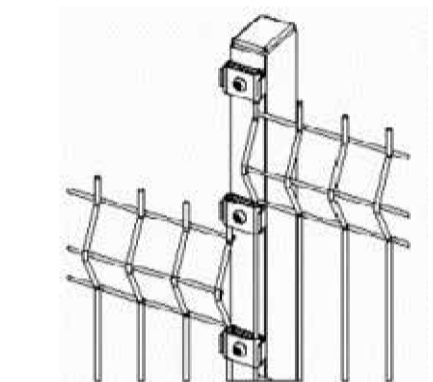
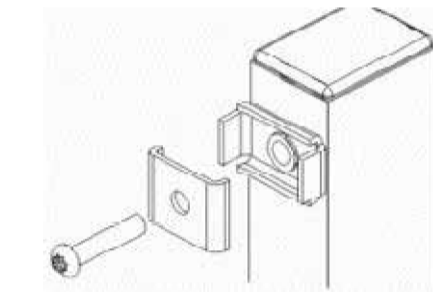
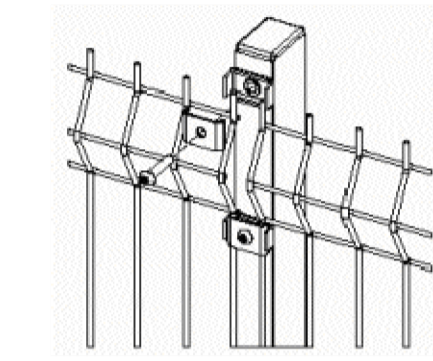


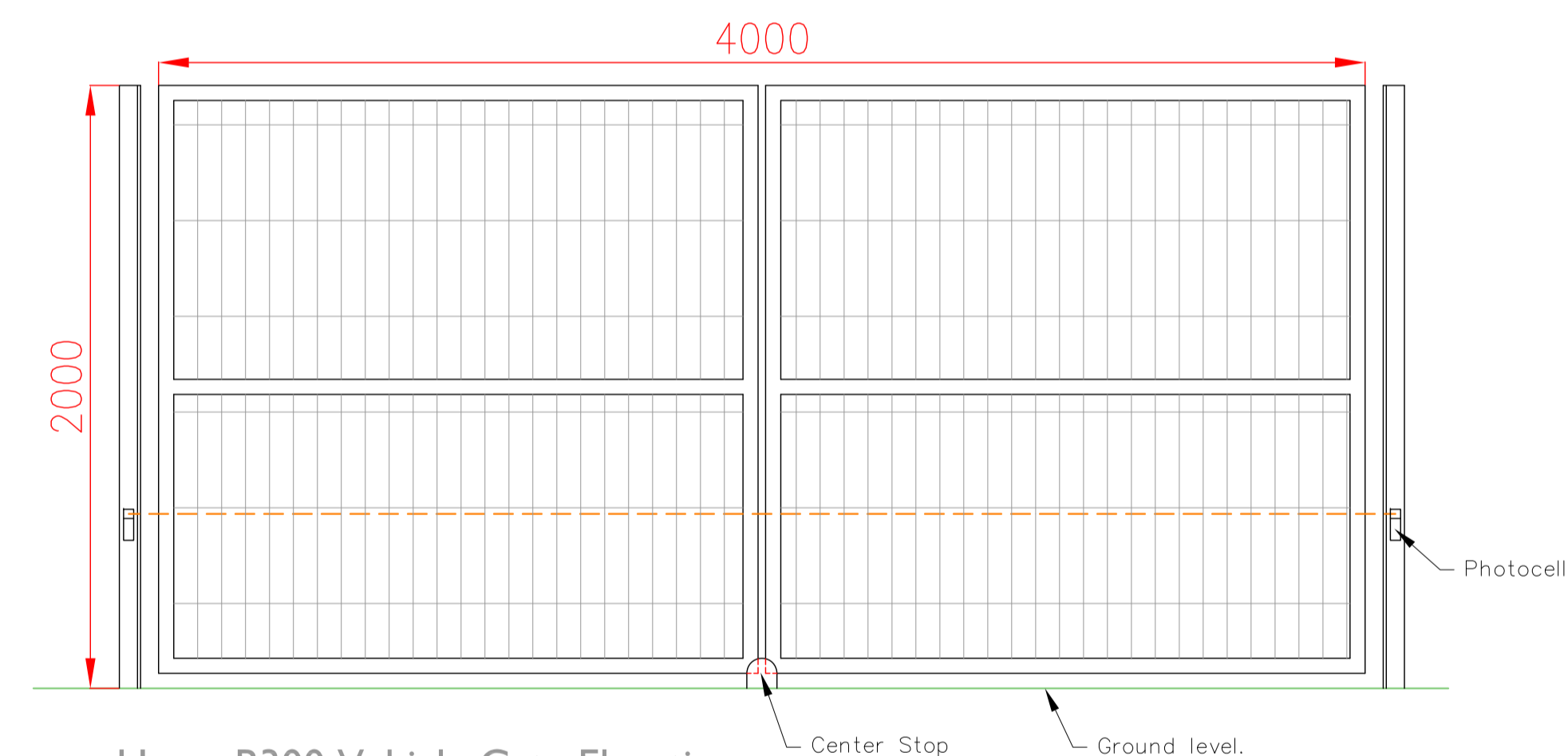
Triton Fencing 240 - Elevation and Section
 Scale 1:20



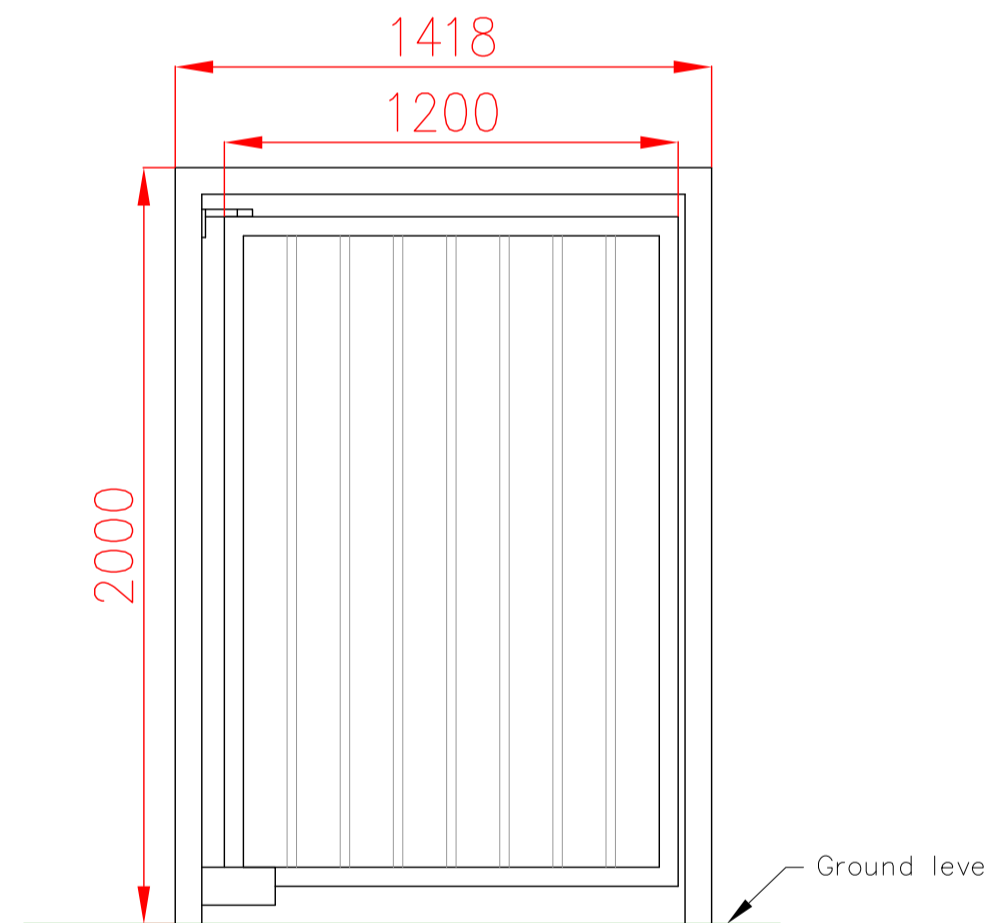
Triton Fencing 200 - Elevation and Section
 Scale 1:20



Isometric View of Triton Fencing Fixings



Heras B300 Vehicle Gate Elevation
 Scale 1:20



Heras B360 Pedestrian Gate Elevation
 Scale 1:20

Triton Fencing Specification

Material	Fully welded steel
Colour	RAL 6005 (moss green)
Finish	Pre-galvanized and powder coating
Panel width	2510 mm
Post centre-to-centre	2530 mm
Post profile	60 x 40 mm
Clip fasteners	M8 x 40 security bolts
Wire diameter	5 mm
Vertical wire spacing	50 mm
Horizontal wire spacing	200 mm

Heras B300 Specification/Options

Single leaf clear opening	Up to 4 m
Double leaf clear opening	4 - 8 m
Standard heights	1.8, 2.0, 2.4 m
Material	Heavy steel fully welded
Colour	RAL 6005 (moss green)
Finish	Powder coating (80 µm thick; 80 buchholz hardness)
Infill	Pallas mesh
Locking	Magnetic lock closed
Leaf	Double
Base	Dug-in
Drive	Electro-hydraulic
Operating speed	25-30 seconds

Heras B360 Specification

- Welded construction self-closing pedestrian gate fabricated from hollow RHS section steel frame
- Fully continuous and finished welds
- Heavy hollow RHS steel section gate support frame
- All steel section sizes are dependent on final gate size and local environmental conditions
- Electro magnetic lock
- Hydraulic self closing unit

IMPORTANT INFORMATION

THIS DRAWING MUST BE READ IN CONJUNCTION WITH ALL OTHER INFORMATION CONTAINED ON RUSSEN & TURNER DRAWINGS. THIS DRAWING MUST NOT BE REVIEWED IN ISOLATION.

DIMENSIONS MUST NOT BE SCALED FROM THIS DRAWING. ALL DIMENSIONS ARE APPROXIMATE. ANY DIMENSIONS SHOWN ARE IN MILLIMETERS.

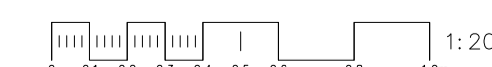
THIS DRAWING HAS BEEN PREPARED FOR PLANNING PURPOSES ONLY.

Revision : _____ Date : _____

Project : _____
 Southern Academy
 Westgate Street,
 Downham Market,
 Norfolk,
 PE38 0PA.
 Russen & Turner
 17 High Street
 Kings Lynn
 Norfolk
 PE30 1BP
 Phone: 01553 768256

Client : Eastern Multi-Academy Trust (EMAT)

Drawing Title : Proposed fencing and gate elevation.



Date : Jan 2022 Paper Size : A1

Drawing Number : D03339/21/1/P10 Rev :