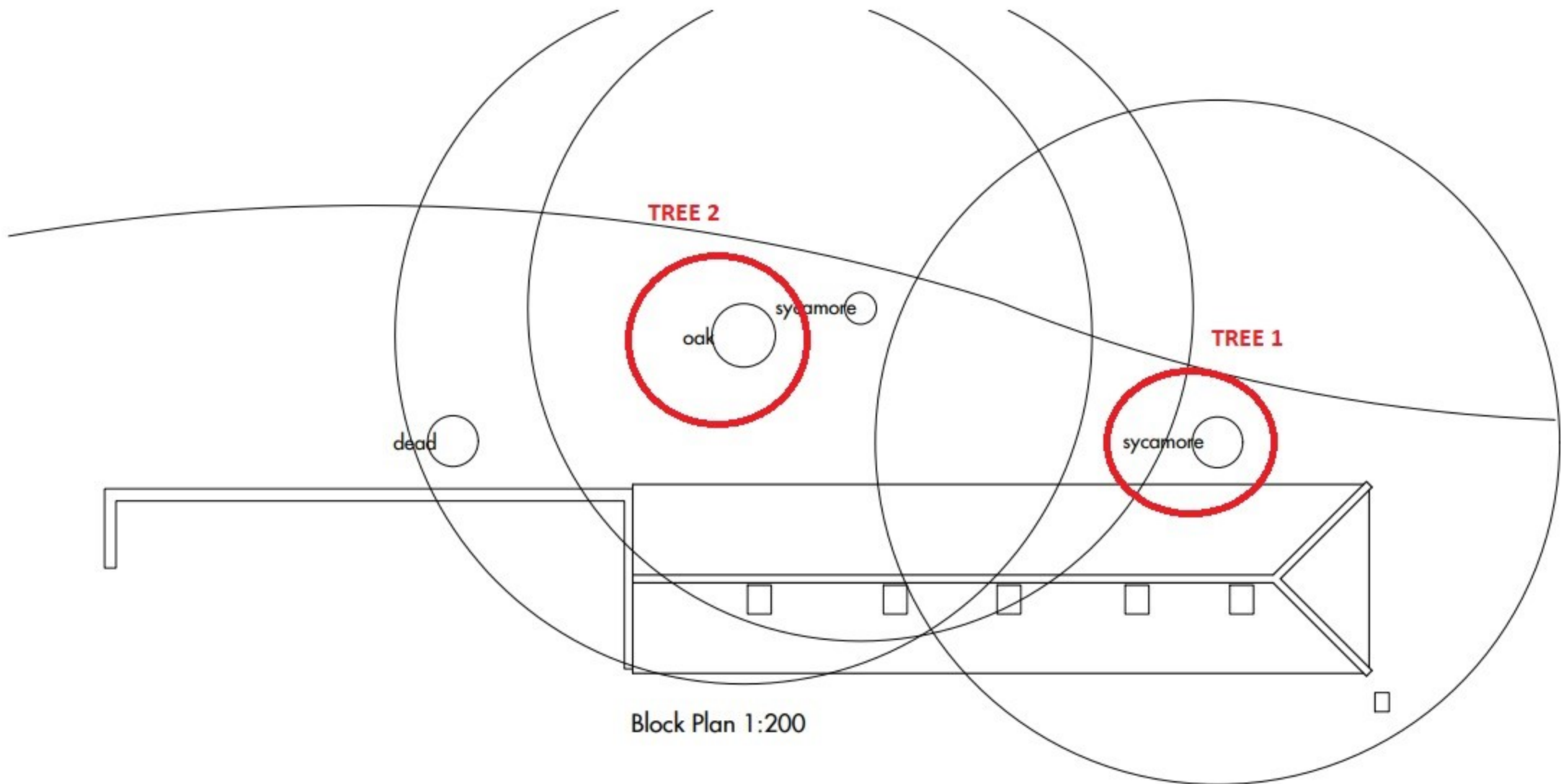


South Elevation 1:100

West E



Block Plan 1:200