

Defect Grade Description (Node)

Project Name 14479 EURO GARAGES BLACKPOOL	Project Number 14479	Project Date 08/12/2021
---	--------------------------------	-----------------------------------

1:	<p>Brick: No structural defects.</p> <p>Other Materials: No structural defects.</p> <p>Acceptable structural condition.</p>
2:	<p>Brick: Circumferential cracking; single longitudinal crack; surface mortar loss (depth missing < 15mm); surface damage - slight spalling (breaking away of small fragments from the surface); surface damage - slight wear (increased roughness).</p> <p>Other Materials: Circumferential crack; moderate joint defects (i.e. medium open joint or medium displaced joint); surface damage - slight spalling (breaking away of small fragments from the surface) or slight wear (increased roughness).</p> <p>Minimal collapse likelihood in the short term but potential for further deterioration.</p>
3:	<p>Brick: Medium mortar loss (depth missing 15-50mm) without other defects; more than one longitudinal crack (at a single location); multiple cracking; single bricks displaced; deformation < 5%; no fracture and only moderate mortar loss; surface damage - medium spalling (large areas of chipped brick); surface damage - medium wear (large area of brick surface is missing).</p> <p>Other Materials: Fracture with no deformation or deformation < 5%; longitudinal cracking or multiple cracking; minor loss of level; severe joint defects (i.e. large open joint or large displaced joint); surface damage - partial area of pipe surface is missing or worn.</p> <p>Collapse unlikely in the near future but further deterioration likely</p>
4:	<p>Brick: Total mortar loss (depth missing > 50mm) with deformation > 10%; deformation up to 10% and fractured; displaced or hanging brickwork; small number of missing bricks; dropped invert (drop > 20mm); moderate loss of level; surface damage - large spalling (entire surface of brick is missing); surface damage - large wear (entire surface of brick is missing).</p> <p>Other Materials: Broken; deformation up to 10% and broken; fracture with deformation 5-10%; multiple fractures; serious loss of level; serious joint defects with voids or soil visible (open joint with > 50mm soil or void visible or joint displacement > 25% of diameter); surface damage - entire area of pipe surface is missing or severely worn.</p> <p>Collapse likely in the foreseeable future</p>
5:	<p>Brick: Already collapsed; missing Invert; deformation > 10% and fractured; displaced or hanging brickwork and deformation < 10%; extensive areas of missing brickwork.</p> <p>Other Materials: Already collapsed; deformation > 10% and broken; extensive areas of pipe fabric missing; fractures with deformation > 10%</p> <p>Collapsed or collapse imminent</p>

Node Profile

Project Name 14479 EURO GARAGES BLACKPOOL	Project Number 14479	Project Date 08/12/2021
---	--------------------------------	-----------------------------------

Manholes

Node No.	Node ID	Town or Village	Road	Node Depth	Date
1	MH01	BLACKPOOL	FLEETWOOD ROAD	1.760 m	14/12/2021
5	MH02	BLACKPOOL	FLEETWOOD ROAD	1.900 m	14/12/2021
6	MH03	BLACKPOOL	FLEETWOOD ROAD	3.800 m	14/12/2021
7	MH04	BLACKPOOL	FLEETWOOD ROAD	2.400 m	14/12/2021

Total: 4 Manholes

Total: 4 Nodes

STC25 COMPUTERISED SEWER RECORDS (MH01)

Forms for use with

STC25 COMPUTERISED SEWER RECORDS

NODE REFERENCE

GRID REFERENCE LOCATION DRAINAGE AREA CODE

YEAR LAID			STATUS	FUNCTION	F	NODE TYPE	MH	SURVEY DATE		14/12/21	
COVER	SHAPE	R	HINGED	N	LOCK	N	DUTY	H	SIZE (mm)	630 x 630	TOXIC ATMOSPHERE EVIDENCE OF VERMIN CONSTRUCTION CODE
SHAFT	SIDE ENTRY	N	REGULAR COURSES	N	DEPTH (m)				SIZE (mm)	475 x	
CHAMBER	SOFFIT	S	STEPS	2	LADDERS	0	LANDINGS	0	SIZE (mm)	1079 x 1062	
DEPTH OF FLOW (mm)		<input type="text"/>	DEPTH OF SILT (mm)		<input type="text"/>	HEIGHT SURCHARGE (mm)		<input type="text"/>	COVER LEVEL (m)		0.000

INCOMING PIPES

	UPSTREAM REFERENCE	PIPE SHAPE	PIPE SIZE (mm diam)	BACKDROP DIAM (mm)	PIPE MATERIAL	LINING MATERIAL	DEPTH FROM COVER (m)	INVERT LEVEL
A	MH01A	C	150		VC		1.680	
B	MH01B	C	225		VC		1.740	
C	MH01C	C	225		VC		1.750	

OUTGOING PIPES

	DOWNSTREAM REFERENCE	PIPE SHAPE	PIPE SIZE (mm diam)	COND	CRIT'Y	PIPE MATERIAL	LINING MATERIAL	DEPTH FROM COVER (m)	INVERT LEVEL
X	MH02	C	225			VC		1.760	

CONDITION COVER IRONS/LADDERS SHAFT CHAMBER BENCHING OTHER
 (Y if attention required)

INSPECTION REMARKS

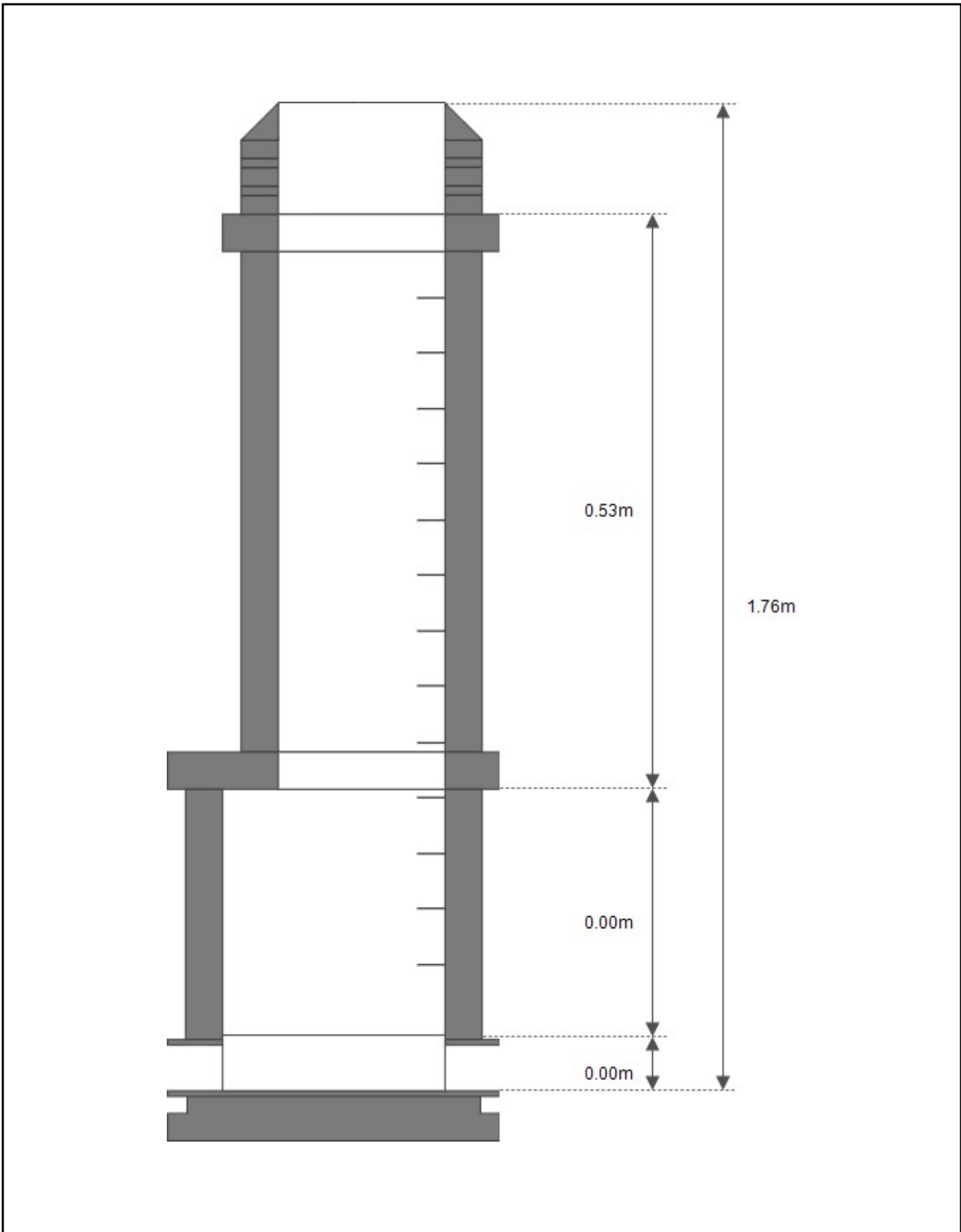
STC25 COMPUTERISED SEWER RECORDS (MH01)

Legend:

Cover Shape R Rectangular C Circular T Triangular OV Oval HX Hexagonal OC Octagonal Z Other	Cover Duty L Light M Medium H Heavy U Unspecified	Function F Foul Water S Surface Water C Combined T Trade Effluent W Culverted Watercourse LD Subsoil or Field Drainage Z Unknown
Remarks UTR Unable to Raise UTL Unable to Locate UTS Unable to Survey UTGA Unable to Gain Access BURIED Manhole Buried DTP Data Taken by Plans CBD Co-ordinates by Digitiser CBG Co-ordinates by Graphics UNV Unverified Grid Reference URGENT Urgent Action Required NIPH Not in Public Highway	Chamber Soffit Type S Reducing Slab T Taper A Arch C Corbel N None U Unspecified	Status PU Public PR Private 24 Section 24 HD Highway Drain TR Trunk WC Watercourse 17 Section 17 18 Section 18 AB Abandoned TC To be Constructed WA Water Company Maintained U Unspecified
Pipe Shape A Arched B Barrel C Circular E Egg Shaped H Horseshoe (i.e. Inverted U) O Oval R Rectangular T Trapezoidal U U Shaped with Flat Top K Kerb Block CSC Circular with Small Channel RSC Rectangular with Small Channel Z Other	Chamber Construction B Brick C Common Brick E Engineering Brick P Precast Units G Glass Reinforced Plastic I In-situ S Segmental L Plastic (Other than G) R Rendered U Unspecified	Node Type MH Manhole IC Inspection Chamber RE Rodding Eye LH Lamphole OF Outfall BR Major Connection without Manhole GY Gully CP Catchpit SK Soakaway OS Oil Separator RG Running Trap BN Buchan Trap WR Winsor Trap OC Other Special Chamber
Pipe/Lining Material AC Asbestos Cement BL Bituman (Lining) BR Brick CI Cast Iron CL Cement Mortar (Lining) CO Concrete CS Concrete Segments DI Ductile Iron EP Epoxy FC Fibre Cement FRP Fibre Reinforced Plastic GI Grey Cast Iron MAC Masonry (in regular courses) MAR Masonry (randomly coursed) MX Mixed Material PVC Polyvinyl Chloride PE Polyethylene PF Pitch Fibre PP Polypropylene PS Polyester RC Reinforced Concrete SPC Sprayed Concrete ST Steel VC Vitrified Clay (i.e. all clayware) X Unidentified Material XI Unidentified Type of Iron or Steel XP Unidentified Type of Iron or Plastic Z Other Material		

Node 2D Sketch - 14/12/2021 - MH01

Node No.	Node ID	Alternative ID	Client's Job Ref	Contractor's Job Ref
1	MH01		PK	14479

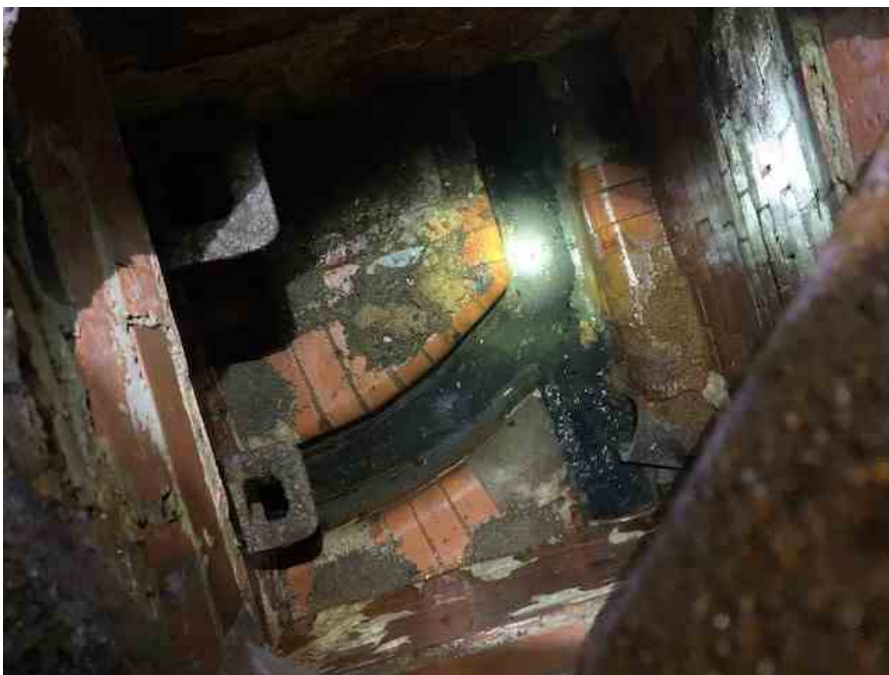


Node Pictures - 14/12/2021 - MH01

Node No.	Node ID	Alternative ID	Client's Job Ref	Contractor's Job Ref
1	MH01		PK	14479



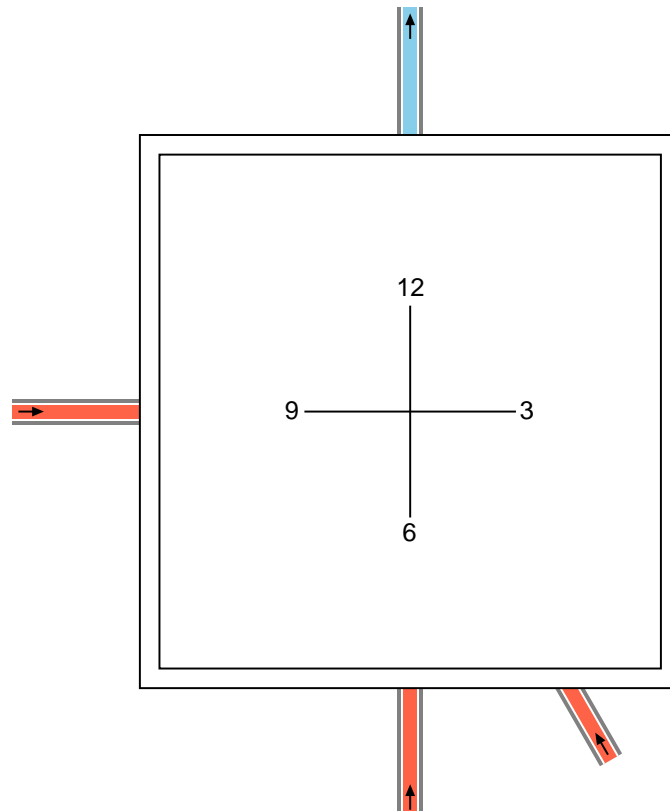
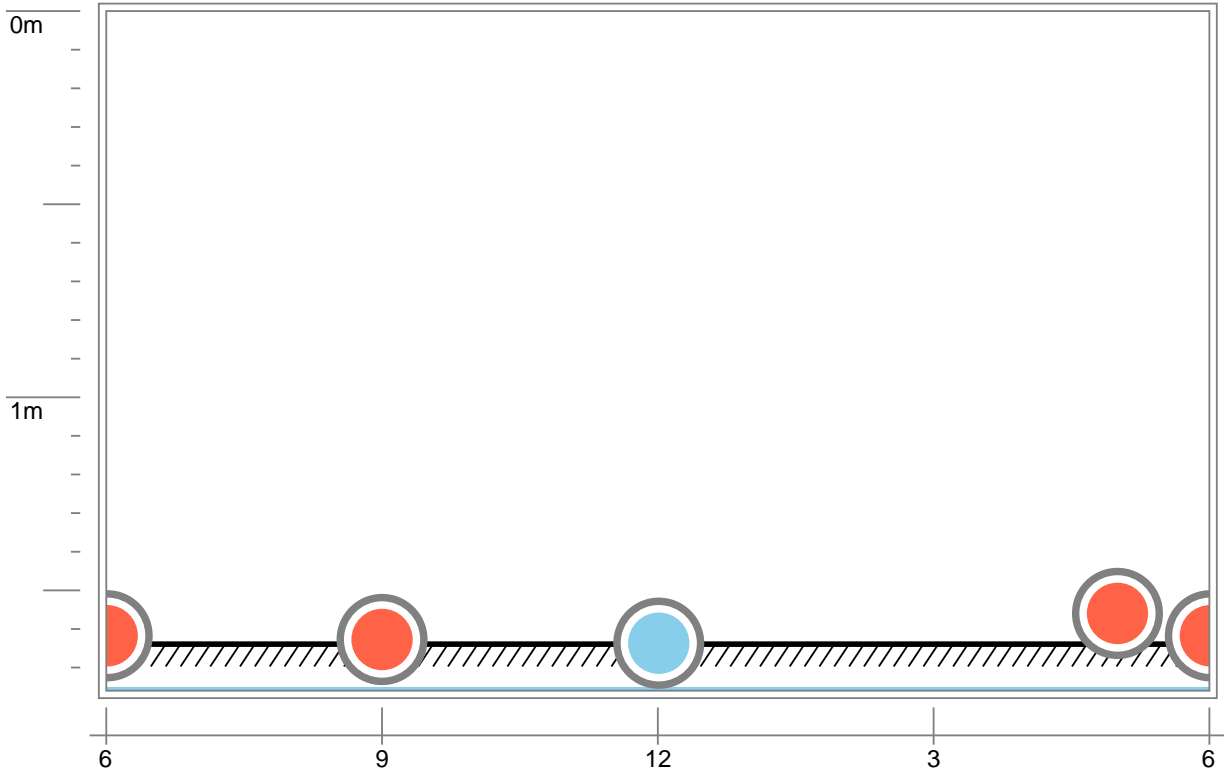
MH01_b59a0776-3c36-4224-9927-c219aec24854_20211214_160541.jpg, 0.00 m
General remark



MH01_b3ab8d53-65aa-43f6-8724-bf82f4ea90a8_20211214_160558.jpg, 0.00 m
General remark

Node Drawings - 14/12/2021 - MH01

Node No.	Node ID	Alternative ID	Client's Job Ref	Contractor's Job Ref
1	MH01		PK	14479



STC25 COMPUTERISED SEWER RECORDS (MH02)

Forms for use with

STC25 COMPUTERISED SEWER RECORDS

NODE REFERENCE

GRID REFERENCE LOCATION DRAINAGE AREA CODE

YEAR LAID	STATUS	FUNCTION	F	NODE TYPE	MH	SURVEY DATE	14/12/21				
COVER	SHAPE	R	HINGED	N	LOCK	N	DUTY	H	SIZE (mm)	600 x 600	TOXIC ATMOSPHERE
SHAFT	SIDE ENTRY	N	REGULAR COURSES	N	DEPTH (m)	0	LANDINGS	0	SIZE (mm)	595 x 554	EVIDENCE OF VERMIN
CHAMBER	SOFFIT	T	STEPS	2	LADDERS	0	LANDINGS	0	SIZE (mm)	1164 x 874	CONSTRUCTION CODE
DEPTH OF FLOW (mm) <input type="text"/> DEPTH OF SILT (mm) <input type="text"/> HEIGHT SURCHARGE (mm) <input type="text"/> COVER LEVEL (m) <input type="text" value="0.000"/>											

INCOMING PIPES

	UPSTREAM REFERENCE	PIPE SHAPE	PIPE SIZE (mm diam)	BACKDROP DIAM (mm)	PIPE MATERIAL	LINING MATERIAL	DEPTH FROM COVER (m)	INVERT LEVEL
A	MH01	C	225		VC		1.760	
B		C	225		VC		1.850	

OUTGOING PIPES

	DOWNSTREAM REFERENCE	PIPE SHAPE	PIPE SIZE (mm diam)	COND	CRIT'Y	PIPE MATERIAL	LINING MATERIAL	DEPTH FROM COVER (m)	INVERT LEVEL
X	MH04	C	225			VC		1.900	

CONDITION COVER IRONS/LADDERS SHAFT CHAMBER BENCHING OTHER
 (Y if attention required)

INSPECTION REMARKS

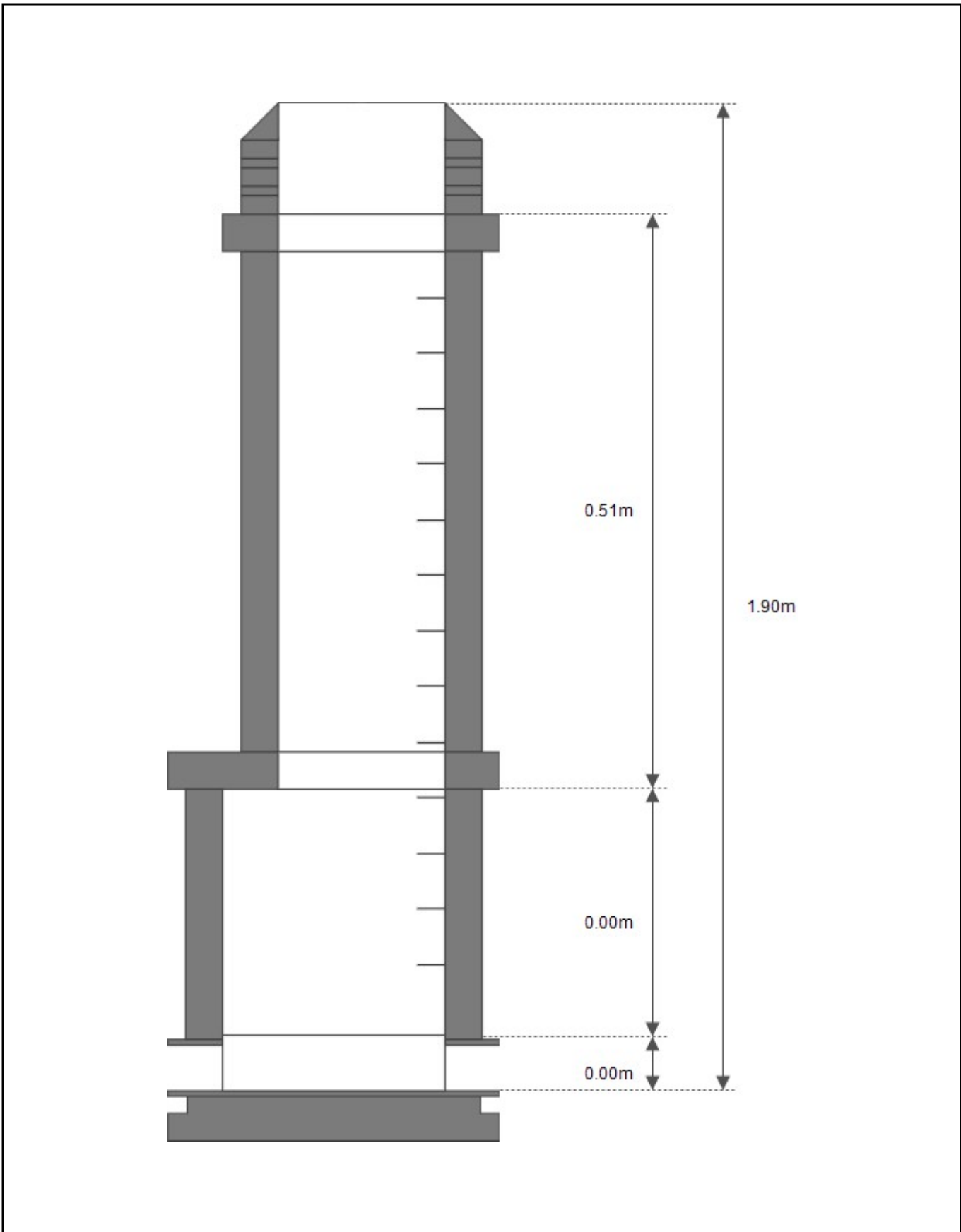
STC25 COMPUTERISED SEWER RECORDS (MH02)

Legend:

<p>Cover Shape</p> <p>R Rectangular C Circular T Triangular OV Oval HX Hexagonal OC Octagonal Z Other</p>	<p>Cover Duty</p> <p>L Light M Medium H Heavy U Unspecified</p>	<p>Function</p> <p>F Foul Water S Surface Water C Combined T Trade Effluent W Culverted Watercourse LD Subsoil or Field Drainage Z Unknown</p>
<p>Remarks</p> <p>UTR Unable to Raise UTL Unable to Locate UTS Unable to Survey UTGA Unable to Gain Access BURIED Manhole Buried DTP Data Taken by Plans CBD Co-ordinates by Digitiser CBG Co-ordinates by Graphics UNV Unverified Grid Reference URGENT Urgent Action Required NIPH Not in Public Highway</p>	<p>Chamber Soffit Type</p> <p>S Reducing Slab T Taper A Arch C Corbel N None U Unspecified</p>	<p>Status</p> <p>PU Public PR Private 24 Section 24 HD Highway Drain TR Trunk WC Watercourse 17 Section 17 18 Section 18 AB Abandoned TC To be Constructed WA Water Company Maintained U Unspecified</p>
<p>Pipe Shape</p> <p>A Arched B Barrel C Circular E Egg Shaped H Horseshoe (i.e. Inverted U) O Oval R Rectangular T Trapezoidal U U Shaped with Flat Top K Kerb Block CSC Circular with Small Channel RSC Rectangular with Small Channel Z Other</p>	<p>Chamber Construction</p> <p>B Brick C Common Brick E Engineering Brick P Precast Units G Glass Reinforced Plastic I In-situ S Segmental L Plastic (Other than G) R Rendered U Unspecified</p>	<p>Node Type</p> <p>MH Manhole IC Inspection Chamber RE Rodding Eye LH Lamphole OF Outfall BR Major Connection without Manhole GY Gully CP Catchpit SK Soakaway OS Oil Separator RG Running Trap BN Buchan Trap WR Winsor Trap OC Other Special Chamber</p>
<p>Pipe/Lining Material</p> <p>AC Asbestos Cement BL Bituman (Lining) BR Brick CI Cast Iron CL Cement Mortar (Lining) CO Concrete CS Concrete Segments DI Ductile Iron EP Epoxy FC Fibre Cement FRP Fibre Reinforced Plastic GI Grey Cast Iron MAC Masonry (in regular courses) MAR Masonry (randomly coursed) MX Mixed Material PVC Polyvinyl Chloride PE Polyethylene PF Pitch Fibre PP Polypropylene PS Polyester RC Reinforced Concrete SPC Sprayed Concrete ST Steel VC Vitrified Clay (i.e. all clayware) X Unidentified Material XI Unidentified Type of Iron or Steel XP Unidentified Type of Iron or Plastic Z Other Material</p>		

Node 2D Sketch - 14/12/2021 - MH02

Node No.	Node ID	Alternative ID	Client's Job Ref	Contractor's Job Ref
5	MH02		PK	14479



Node Pictures - 14/12/2021 - MH02

Node No.	Node ID	Alternative ID	Client's Job Ref	Contractor's Job Ref
5	MH02		PK	14479



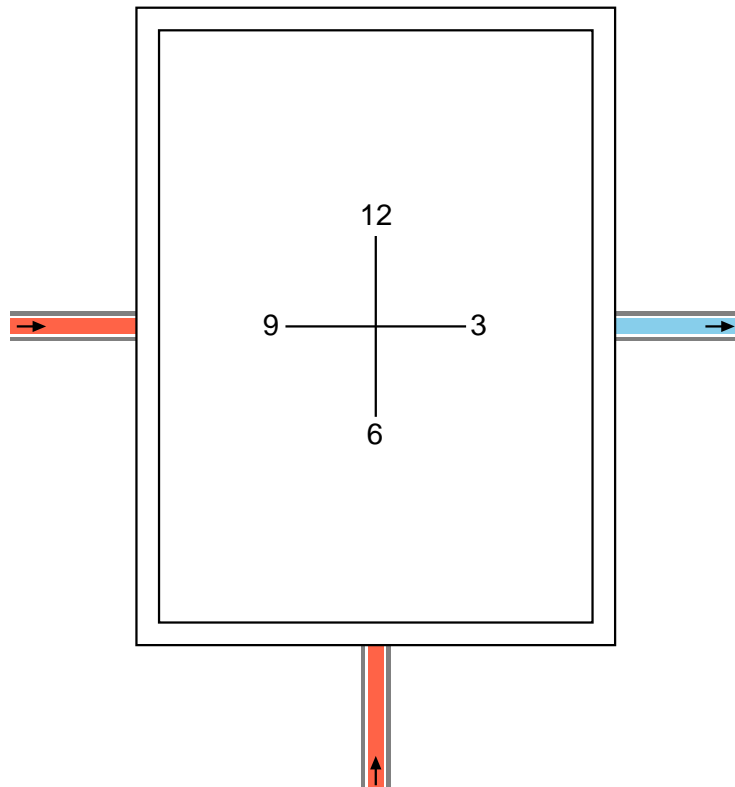
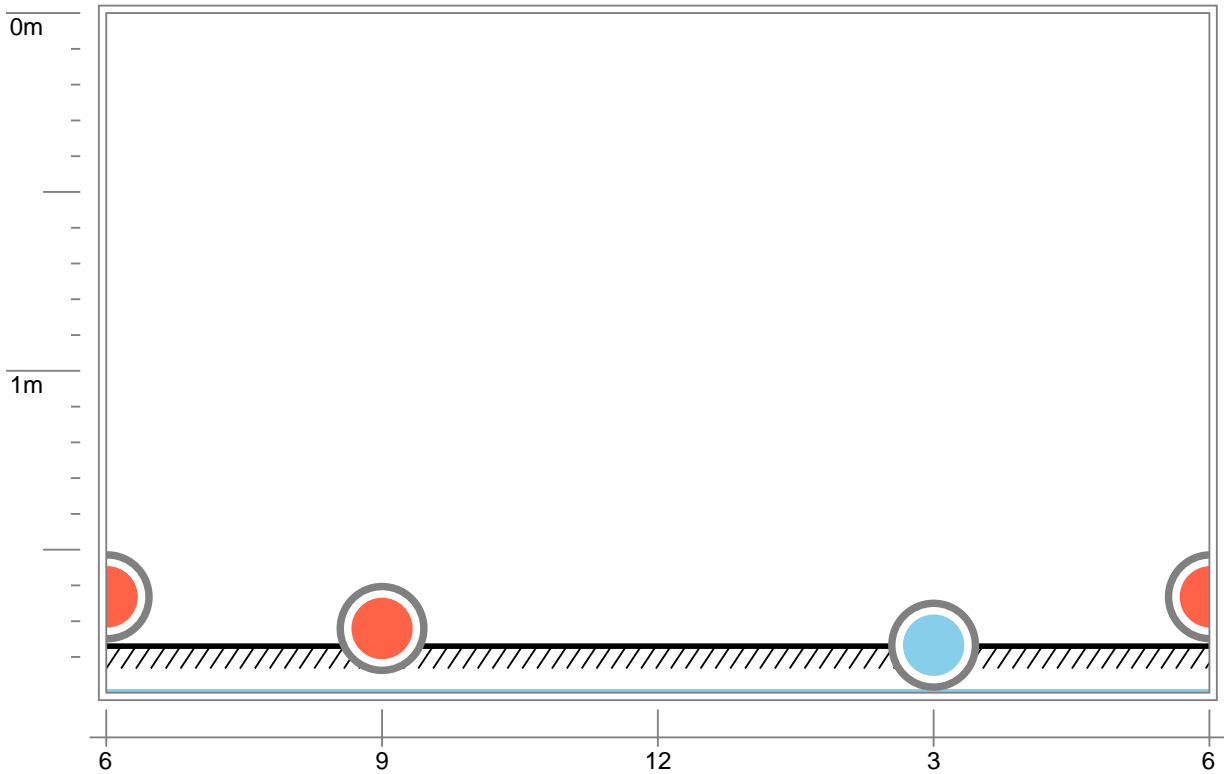
MH02_7c35867e-86d1-4b1e-873f-d0fa84fdaf57_20211214_161551.jpg, 0.00 m
General remark



MH02_a1b7d8f5-c5ca-4aa7-9aff-84ebca423ff7_20211214_161613.jpg, 0.00 m
General remark

Node Drawings - 14/12/2021 - MH02

Node No.	Node ID	Alternative ID	Client's Job Ref	Contractor's Job Ref
5	MH02		PK	14479



STC25 COMPUTERISED SEWER RECORDS (MH03)

Forms for use with

STC25 COMPUTERISED SEWER RECORDS

NODE REFERENCE

GRID REFERENCE LOCATION DRAINAGE AREA CODE

YEAR LAID	STATUS	FUNCTION	S	NODE TYPE	MH	SURVEY DATE	14/12/21				
COVER	SHAPE	R	HINGED	N	LOCK	N	DUTY	H	SIZE (mm)	610 x 610	TOXIC ATMOSPHERE
SHAFT	SIDE ENTRY	N	REGULAR COURSES	N	DEPTH (m)	0	LANDINGS	0	SIZE (mm)	612 x 608	EVIDENCE OF VERMIN
CHAMBER	SOFFIT	S	STEPS	0	LADDERS	0	LANDINGS	0	SIZE (mm)	1806 x 2966	CONSTRUCTION CODE
DEPTH OF FLOW (mm) <input type="text"/> DEPTH OF SILT (mm) <input type="text"/> HEIGHT SURCHARGE (mm) <input type="text"/> COVER LEVEL (m) <input type="text" value="0.000"/>											

INCOMING PIPES

	UPSTREAM REFERENCE	PIPE SHAPE	PIPE SIZE (mm diam)	BACKDROP DIAM (mm)	PIPE MATERIAL	LINING MATERIAL	DEPTH FROM COVER (m)	INVERT LEVEL
A		C	1,500		BR		3.730	

OUTGOING PIPES

	DOWNSTREAM REFERENCE	PIPE SHAPE	PIPE SIZE (mm diam)	COND	CRIT'Y	PIPE MATERIAL	LINING MATERIAL	DEPTH FROM COVER (m)	INVERT LEVEL
0		C	1,500			BR		3.800	

CONDITION COVER IRONS/LADDERS SHAFT CHAMBER BENCHING OTHER
 (Y if attention required)

INSPECTION REMARKS

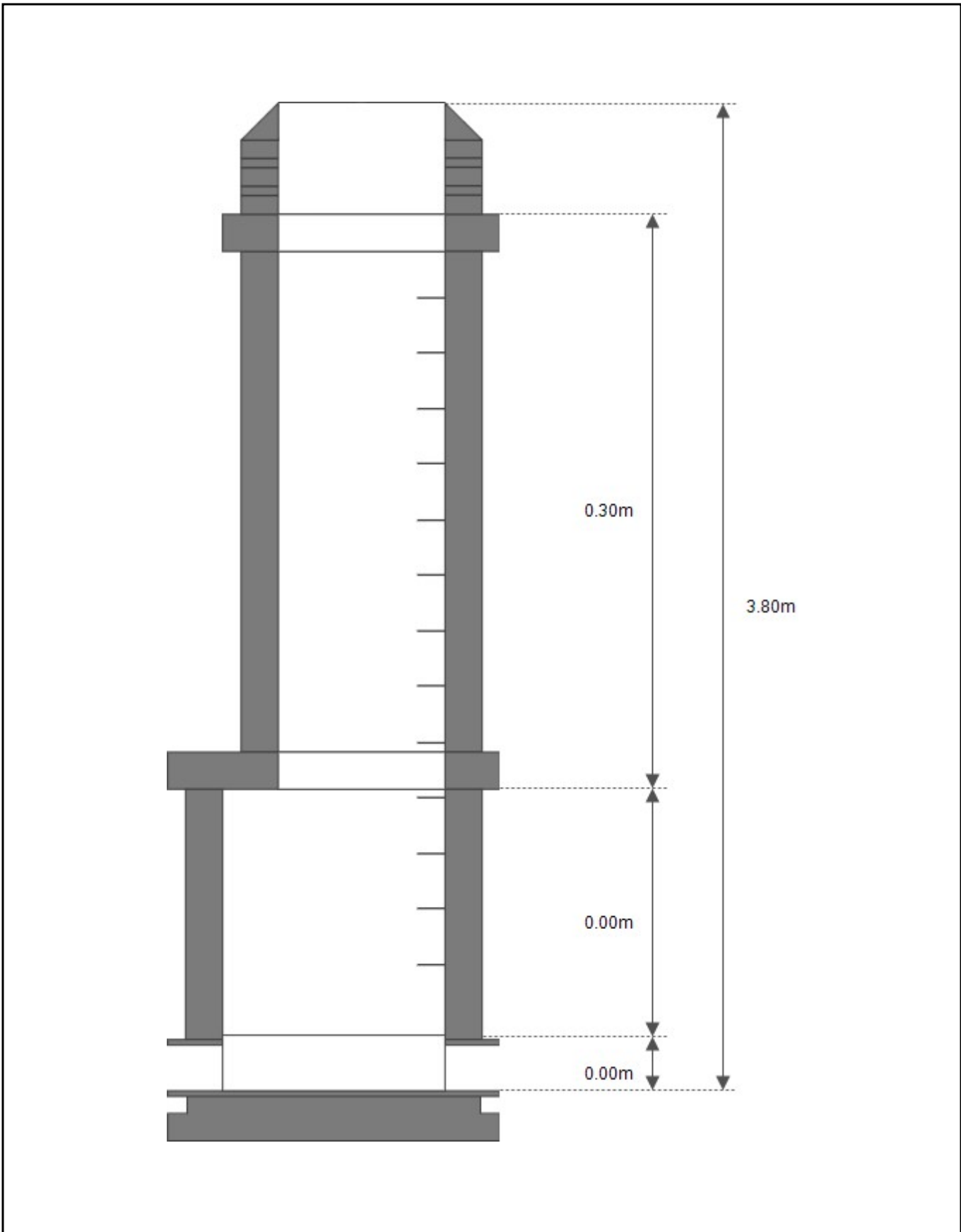
STC25 COMPUTERISED SEWER RECORDS (MH03)

Legend:

<p>Cover Shape</p> <p>R Rectangular C Circular T Triangular OV Oval HX Hexagonal OC Octagonal Z Other</p>	<p>Cover Duty</p> <p>L Light M Medium H Heavy U Unspecified</p>	<p>Function</p> <p>F Foul Water S Surface Water C Combined T Trade Effluent W Culverted Watercourse LD Subsoil or Field Drainage Z Unknown</p>
<p>Remarks</p> <p>UTR Unable to Raise UTL Unable to Locate UTS Unable to Survey UTGA Unable to Gain Access BURIED Manhole Buried DTP Data Taken by Plans CBD Co-ordinates by Digitiser CBG Co-ordinates by Graphics UNV Unverified Grid Reference URGENT Urgent Action Required NIPH Not in Public Highway</p>	<p>Chamber Soffit Type</p> <p>S Reducing Slab T Taper A Arch C Corbel N None U Unspecified</p>	<p>Status</p> <p>PU Public PR Private 24 Section 24 HD Highway Drain TR Trunk WC Watercourse 17 Section 17 18 Section 18 AB Abandoned TC To be Constructed WA Water Company Maintained U Unspecified</p>
<p>Pipe Shape</p> <p>A Arched B Barrel C Circular E Egg Shaped H Horseshoe (i.e. Inverted U) O Oval R Rectangular T Trapezoidal U U Shaped with Flat Top K Kerb Block CSC Circular with Small Channel RSC Rectangular with Small Channel Z Other</p>	<p>Chamber Construction</p> <p>B Brick C Common Brick E Engineering Brick P Precast Units G Glass Reinforced Plastic I In-situ S Segmental L Plastic (Other than G) R Rendered U Unspecified</p>	<p>Node Type</p> <p>MH Manhole IC Inspection Chamber RE Rodding Eye LH Lamphole OF Outfall BR Major Connection without Manhole GY Gully CP Catchpit SK Soakaway OS Oil Separator RG Running Trap BN Buchan Trap WR Winsor Trap OC Other Special Chamber</p>
<p>Pipe/Lining Material</p> <p>AC Asbestos Cement BL Bituman (Lining) BR Brick CI Cast Iron CL Cement Mortar (Lining) CO Concrete CS Concrete Segments DI Ductile Iron EP Epoxy FC Fibre Cement FRP Fibre Reinforced Plastic GI Grey Cast Iron MAC Masonry (in regular courses) MAR Masonry (randomly coursed) MX Mixed Material PVC Polyvinyl Chloride PE Polyethylene PF Pitch Fibre PP Polypropylene PS Polyester RC Reinforced Concrete SPC Sprayed Concrete ST Steel VC Vitrified Clay (i.e. all clayware) X Unidentified Material XI Unidentified Type of Iron or Steel XP Unidentified Type of Iron or Plastic Z Other Material</p>		

Node 2D Sketch - 14/12/2021 - MH03

Node No.	Node ID	Alternative ID	Client's Job Ref	Contractor's Job Ref
6	MH03		PK	14479



Node Pictures - 14/12/2021 - MH03

Node No.	Node ID	Alternative ID	Client's Job Ref	Contractor's Job Ref
6	MH03		PK	14479



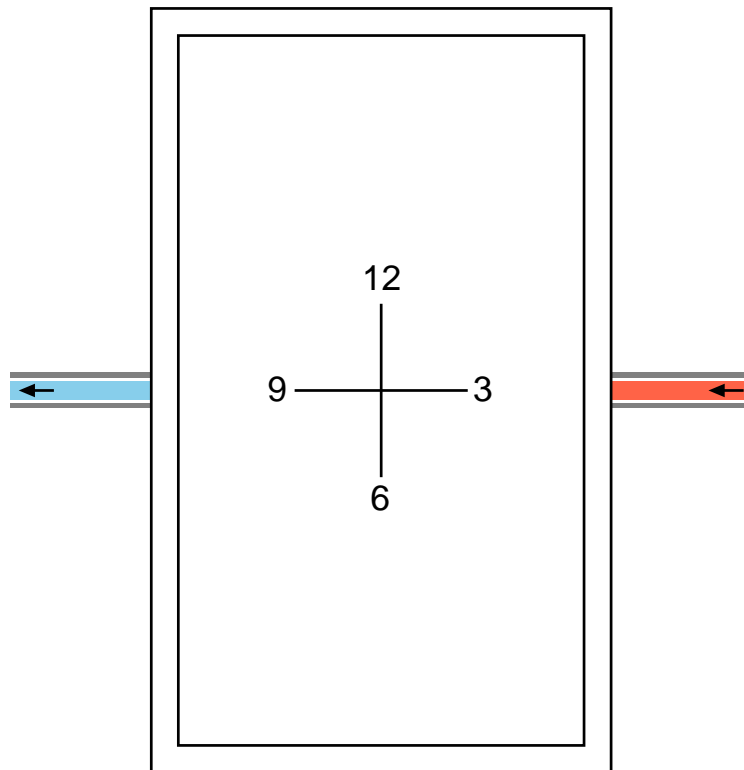
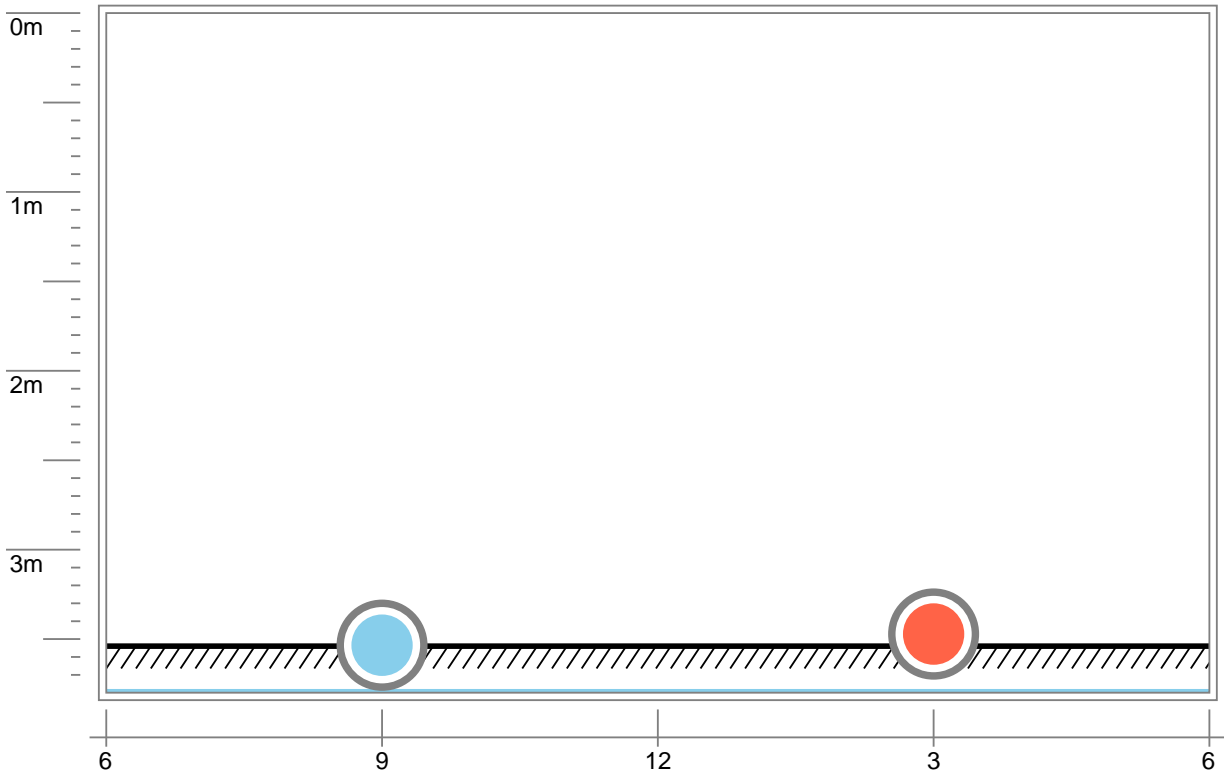
MH03_e1bad150-dcab-4bc5-a80c-f8c152c1c670_20211214_162433.jpg, 0.00 m
General remark



MH03_2c574c19-1a75-486c-8e90-5dc921d056a5_20211214_162501.jpg, 0.00 m
General remark

Node Drawings - 14/12/2021 - MH03

Node No.	Node ID	Alternative ID	Client's Job Ref	Contractor's Job Ref
6	MH03		PK	14479



STC25 COMPUTERISED SEWER RECORDS (MH04)

Forms for use with

STC25 COMPUTERISED SEWER RECORDS

NODE REFERENCE

GRID REFERENCE LOCATION DRAINAGE AREA CODE

YEAR LAID	STATUS	FUNCTION	S	NODE TYPE	MH	SURVEY DATE	14/12/21				
COVER	SHAPE	C	HINGED	N	LOCK	N	DUTY	H	SIZE (mm)	610 x 610	TOXIC ATMOSPHERE
SHAFT	SIDE ENTRY	N	REGULAR COURSES	N	DEPTH (m)	0	LANDINGS	0	SIZE (mm)	623 x 579	EVIDENCE OF VERMIN
CHAMBER	SOFFIT	A	STEPS	4	LADDERS	0	LANDINGS	0	SIZE (mm)	873 x 1365	CONSTRUCTION CODE
											BR
DEPTH OF FLOW (mm)		<input type="text"/>	DEPTH OF SILT (mm)		<input type="text"/>	HEIGHT SURCHARGE (mm)		<input type="text"/>	COVER LEVEL (m)		<input type="text" value="0.000"/>

INCOMING PIPES

	UPSTREAM REFERENCE	PIPE SHAPE	PIPE SIZE (mm diam)	BACKDROP DIAM (mm)	PIPE MATERIAL	LINING MATERIAL	DEPTH FROM COVER (m)	INVERT LEVEL
A	MH02	C	300		VC		2.340	

OUTGOING PIPES

	DOWNSTREAM REFERENCE	PIPE SHAPE	PIPE SIZE (mm diam)	COND	CRIT'Y	PIPE MATERIAL	LINING MATERIAL	DEPTH FROM COVER (m)	INVERT LEVEL
X		C	300			VC		2.400	

CONDITION COVER IRONS/LADDERS SHAFT CHAMBER BENCHING OTHER
 (Y if attention required)

INSPECTION REMARKS

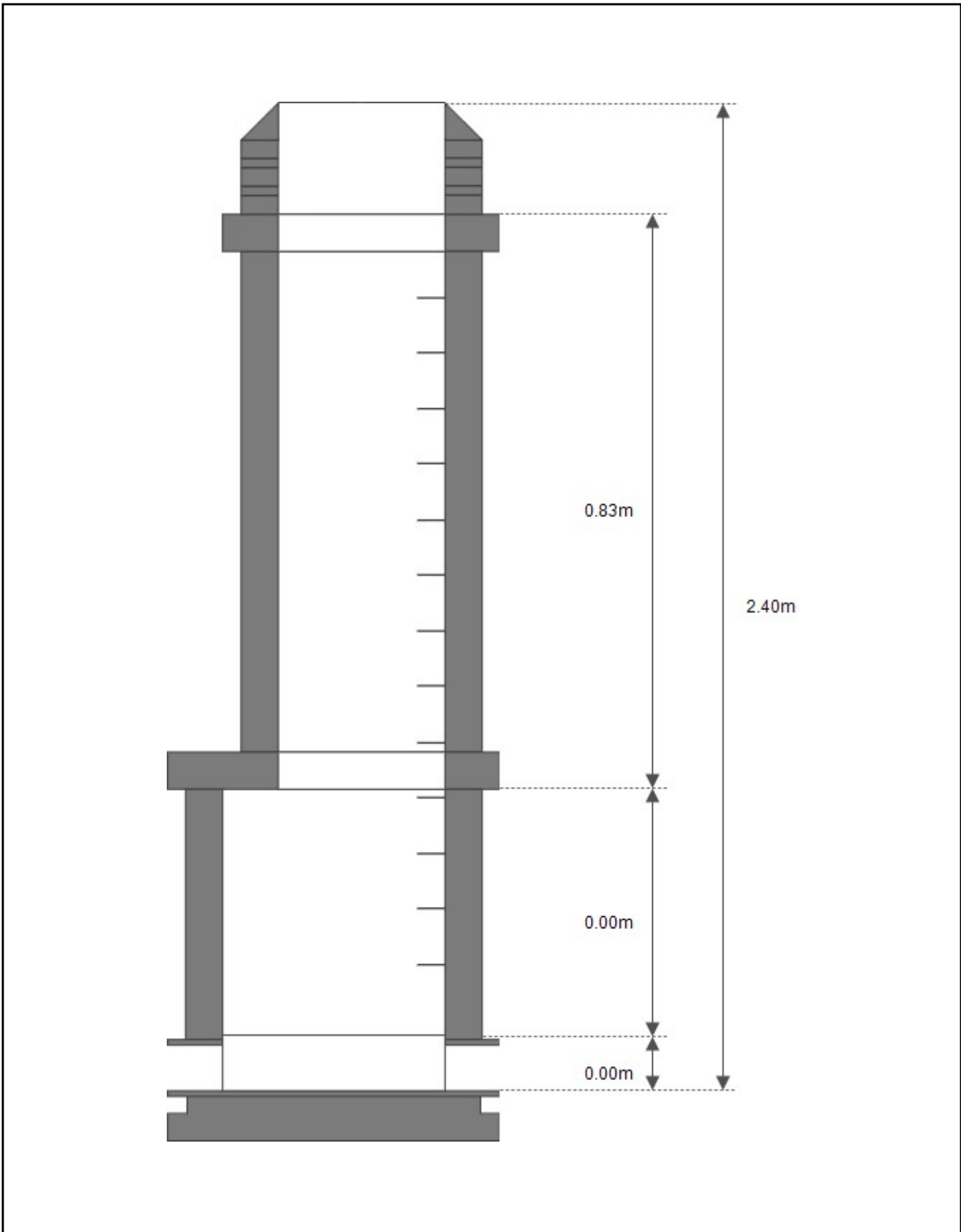
STC25 COMPUTERISED SEWER RECORDS (MH04)

Legend:

Cover Shape R Rectangular C Circular T Triangular OV Oval HX Hexagonal OC Octagonal Z Other	Cover Duty L Light M Medium H Heavy U Unspecified	Function F Foul Water S Surface Water C Combined T Trade Effluent W Culverted Watercourse LD Subsoil or Field Drainage Z Unknown
Remarks UTR Unable to Raise UTL Unable to Locate UTS Unable to Survey UTGA Unable to Gain Access BURIED Manhole Buried DTP Data Taken by Plans CBD Co-ordinates by Digitiser CBG Co-ordinates by Graphics UNV Unverified Grid Reference URGENT Urgent Action Required NIPH Not in Public Highway	Chamber Soffit Type S Reducing Slab T Taper A Arch C Corbel N None U Unspecified	Status PU Public PR Private 24 Section 24 HD Highway Drain TR Trunk WC Watercourse 17 Section 17 18 Section 18 AB Abandoned TC To be Constructed WA Water Company Maintained U Unspecified
Pipe Shape A Arched B Barrel C Circular E Egg Shaped H Horseshoe (i.e. Inverted U) O Oval R Rectangular T Trapezoidal U U Shaped with Flat Top K Kerb Block CSC Circular with Small Channel RSC Rectangular with Small Channel Z Other	Chamber Construction B Brick C Common Brick E Engineering Brick P Precast Units G Glass Reinforced Plastic I In-situ S Segmental L Plastic (Other than G) R Rendered U Unspecified	Node Type MH Manhole IC Inspection Chamber RE Rodding Eye LH Lamphole OF Outfall BR Major Connection without Manhole GY Gully CP Catchpit SK Soakaway OS Oil Separator RG Running Trap BN Buchan Trap WR Winsor Trap OC Other Special Chamber
Pipe/Lining Material AC Asbestos Cement BL Bituman (Lining) BR Brick CI Cast Iron CL Cement Mortar (Lining) CO Concrete CS Concrete Segments DI Ductile Iron EP Epoxy FC Fibre Cement FRP Fibre Reinforced Plastic GI Grey Cast Iron MAC Masonry (in regular courses) MAR Masonry (randomly coursed) MX Mixed Material PVC Polyvinyl Chloride PE Polyethylene PF Pitch Fibre PP Polypropylene PS Polyester RC Reinforced Concrete SPC Sprayed Concrete ST Steel VC Vitrified Clay (i.e. all clayware) X Unidentified Material XI Unidentified Type of Iron or Steel XP Unidentified Type of Iron or Plastic Z Other Material		

Node 2D Sketch - 14/12/2021 - MH04

Node No.	Node ID	Alternative ID	Client's Job Ref	Contractor's Job Ref
7	MH04		PK	14479



Node Pictures - 14/12/2021 - MH04

Node No.	Node ID	Alternative ID	Client's Job Ref	Contractor's Job Ref
7	MH04		PK	14479



MH04_6dc5d2f0-f1b6-4116-948c-f1285e03336a_20211214_163446.jpg, 0.00 m
General remark



MH04_67cf3b72-f237-474c-b94e-23ec0349ec2c_20211214_163503.jpg, 0.00 m
General remark

Node Drawings - 14/12/2021 - MH04

Node No.	Node ID	Alternative ID	Client's Job Ref	Contractor's Job Ref
7	MH04		PK	14479

