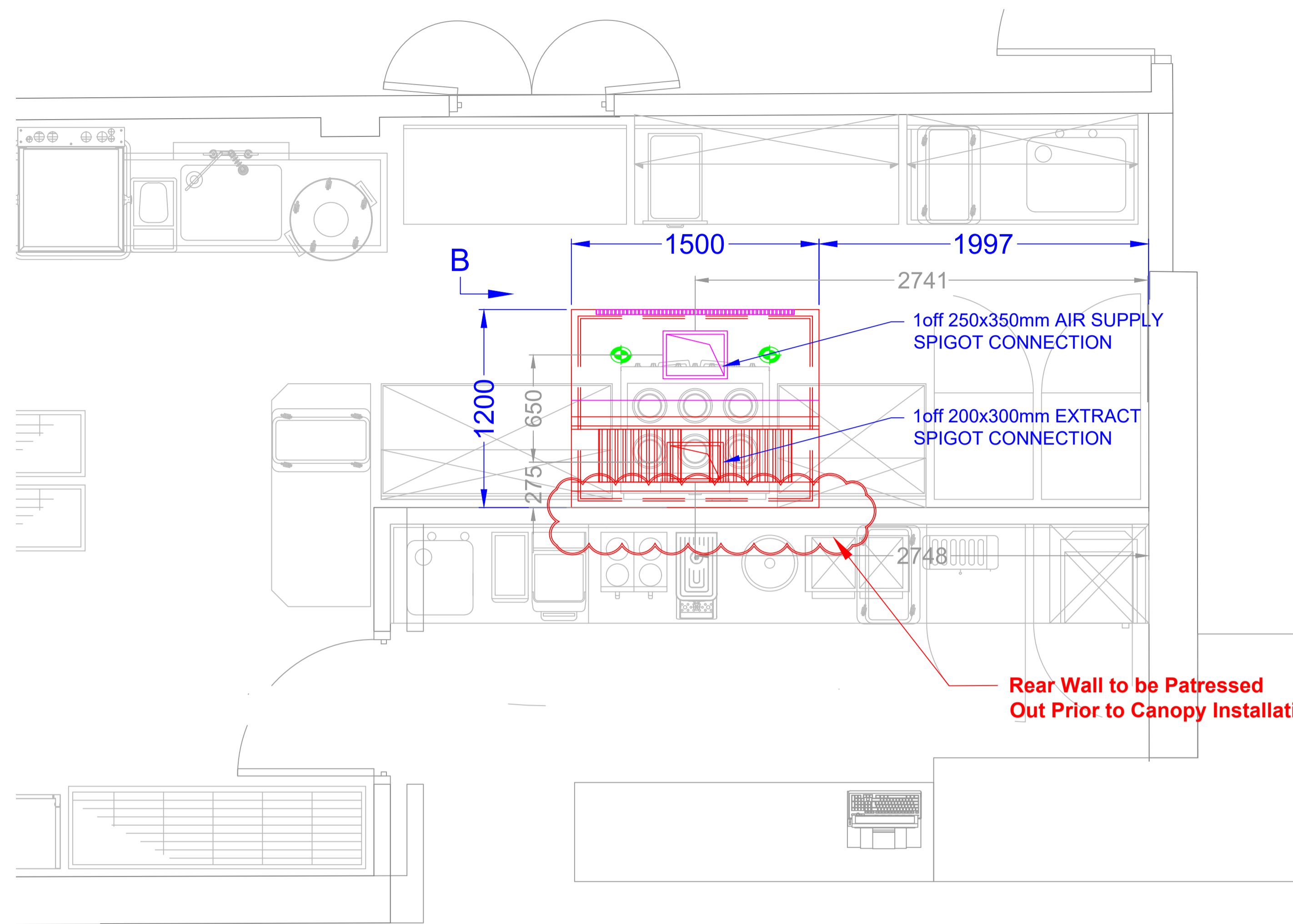


HVCA	DWG REF	ITEM	SOURCE	PLAN SIZE		AREA	COEFFICIENT	FLOW RATE	SURFACE
				Length (mm)	Width (mm)				
16		Hot Cupboard	Electric	250	700	0.175	0.15	0.026	
14		Range/Oven (Open Top)	Electric	900	800	0.720	0.3	0.216	
12		Hot Cupboard	Electric	250	700	0.175	0.15	0.026	
Theoretical Extract volume required								0.295	m³
<b>Canopy Type</b>									
<b>Overhead Wall Dual Open End</b>								1.250	
SPECIFIC EXTRACT FLOW RATE REQUIRED								0.369	m³/s
SPECIFIC SUPPLY FLOW RATE REQUIRED								0.314	m³/s



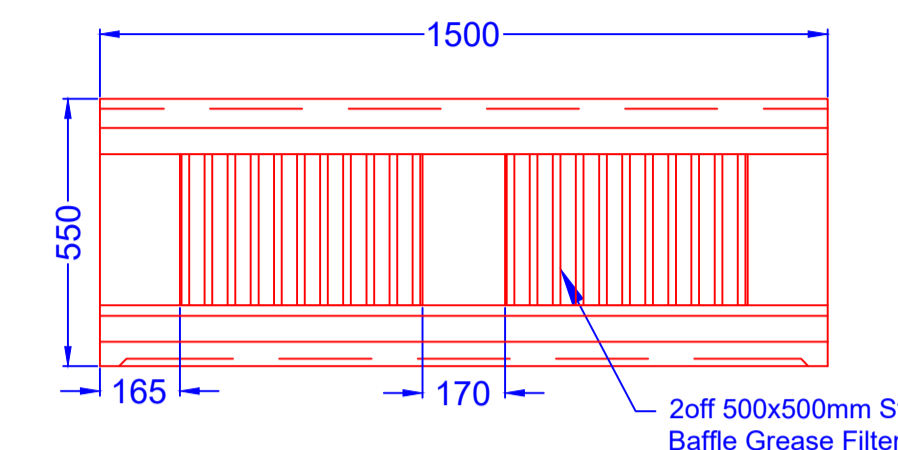
PLAN VIEW ON CANOPY & CONDENSE HOOD INSTALLATION

NOTES.

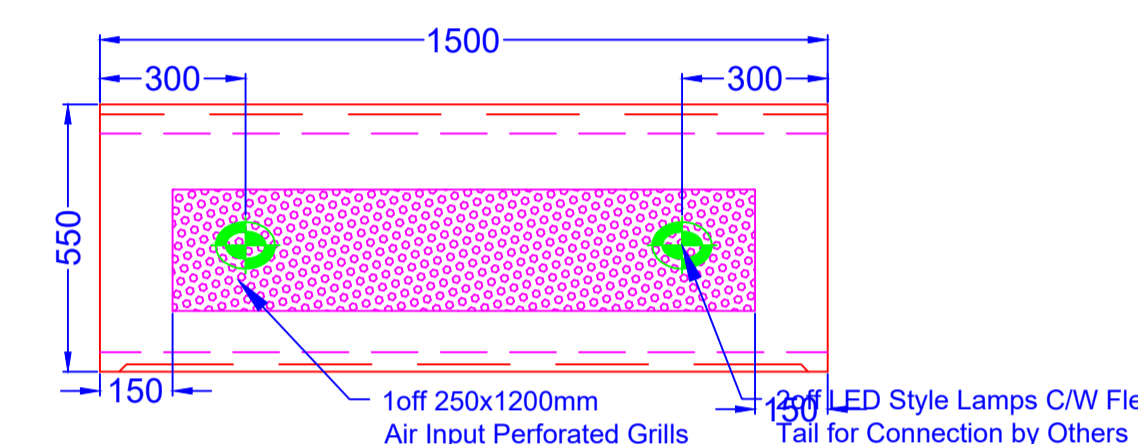
- N1. CANOPY TO BE MANUFACTURED IN FINE GRAIN 304S/ST.
- N2. TO BE SUPPLIED C/W 2off 500x500mm BAFFLE STYLE GREASE FILTERS.
- N3. SPIGOT VELOCITY THROUGH EXTRACT SPIGOTS 6.2ms
- N4. EXTRACT PRESSURE DROP ACROSS CANOPY 110Pa.
- N5. SPIGOT VELOCITY THROUGH AIR SUPPLY SPIGOTS 3.6ms
- N6. AIR SUPPLY PRESSURE DROP ACROSS CANOPY 90Pa.
- N7. CANOPY TO CONTAIN 2off LED STYLE LIGHTS C/W 1.5mtr FLEX FOR CONNECTION BY OTHERS.
- N8. APPROXIMATE CANOPY WEIGHT 90Kg's
- N9. CANOPY TO BE MANUFACTURED IN 1off SECTIONS.
- N10. INSTALLATION TYPE - SPIGOT ONLY INSTALLATION.
- N11. TO BE MANUFACTURED FOR T.B.C.
- N12. AIR SUPPLY FORWARD GRILLS TO CONTAIN FILTER MEDIA.
- N13. AIR SUPPLY PLENUM TO BE FULLY INSULATED.

COMMENTS.

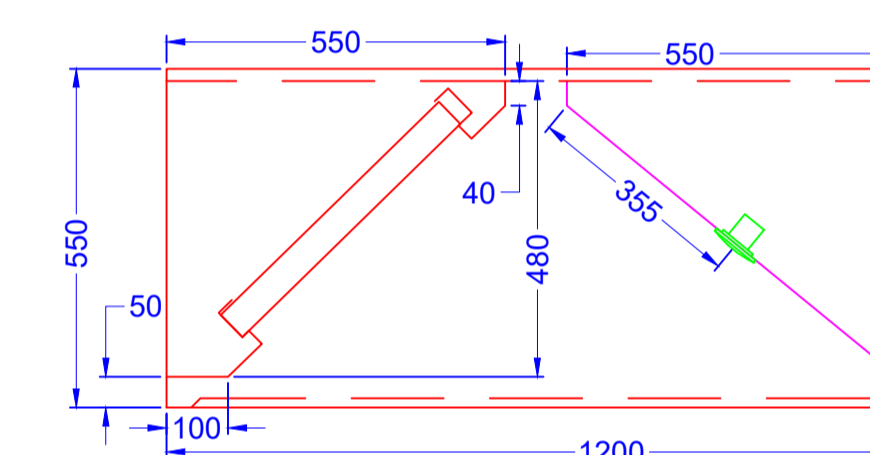
- C1. ALL ELECTRICAL FIRST FIX TO BE COMPLETED PRIOR TO CANOPY INSTALLATION.
- C2. WALL TO REAR OF CANOPY TO BE PATRESSED OUT PRIOR TO CANOPY INSTALLATION.
- C3. ANY CHANGES TO CANOPY TYPE TO BE CONFIRMED BY CLIENT.



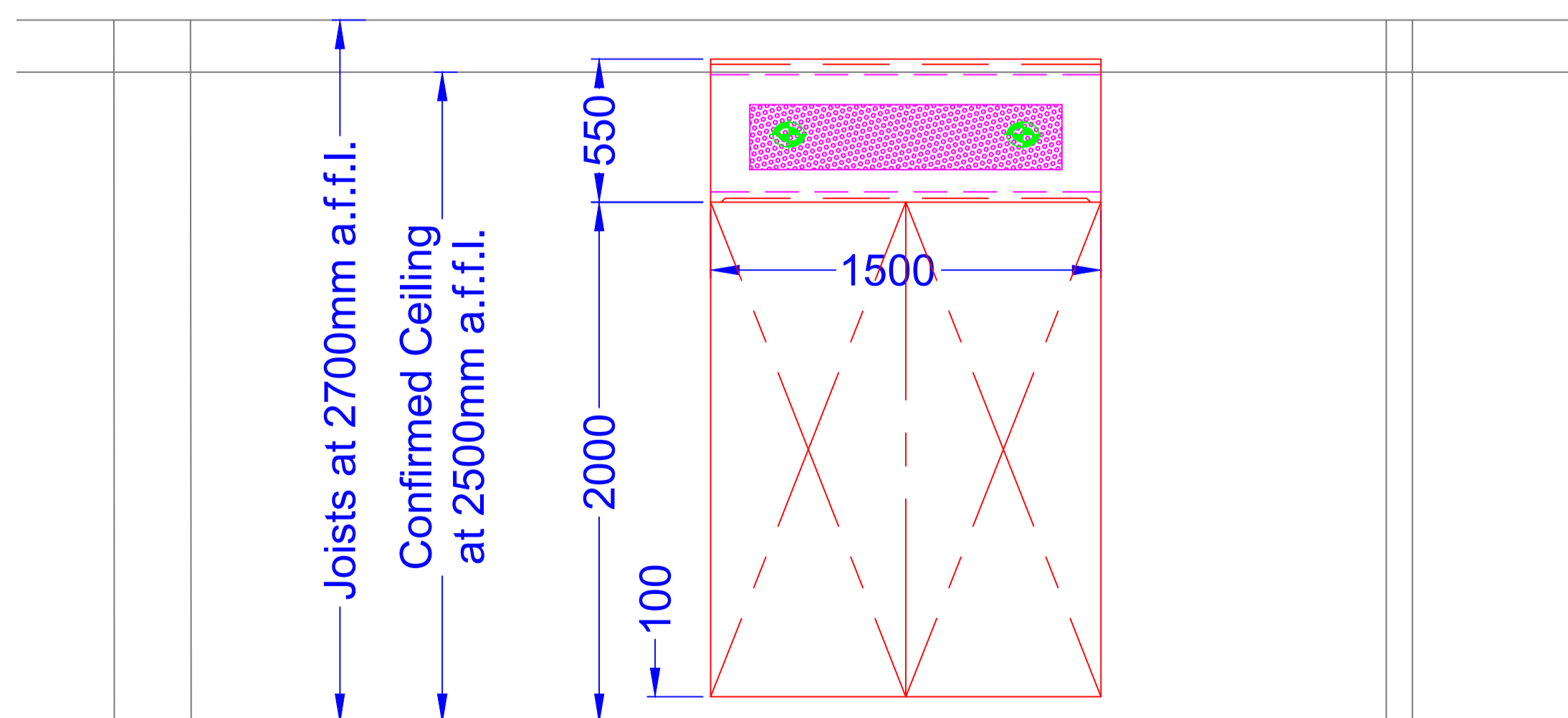
VIEW ON BAFFLE FILTERS



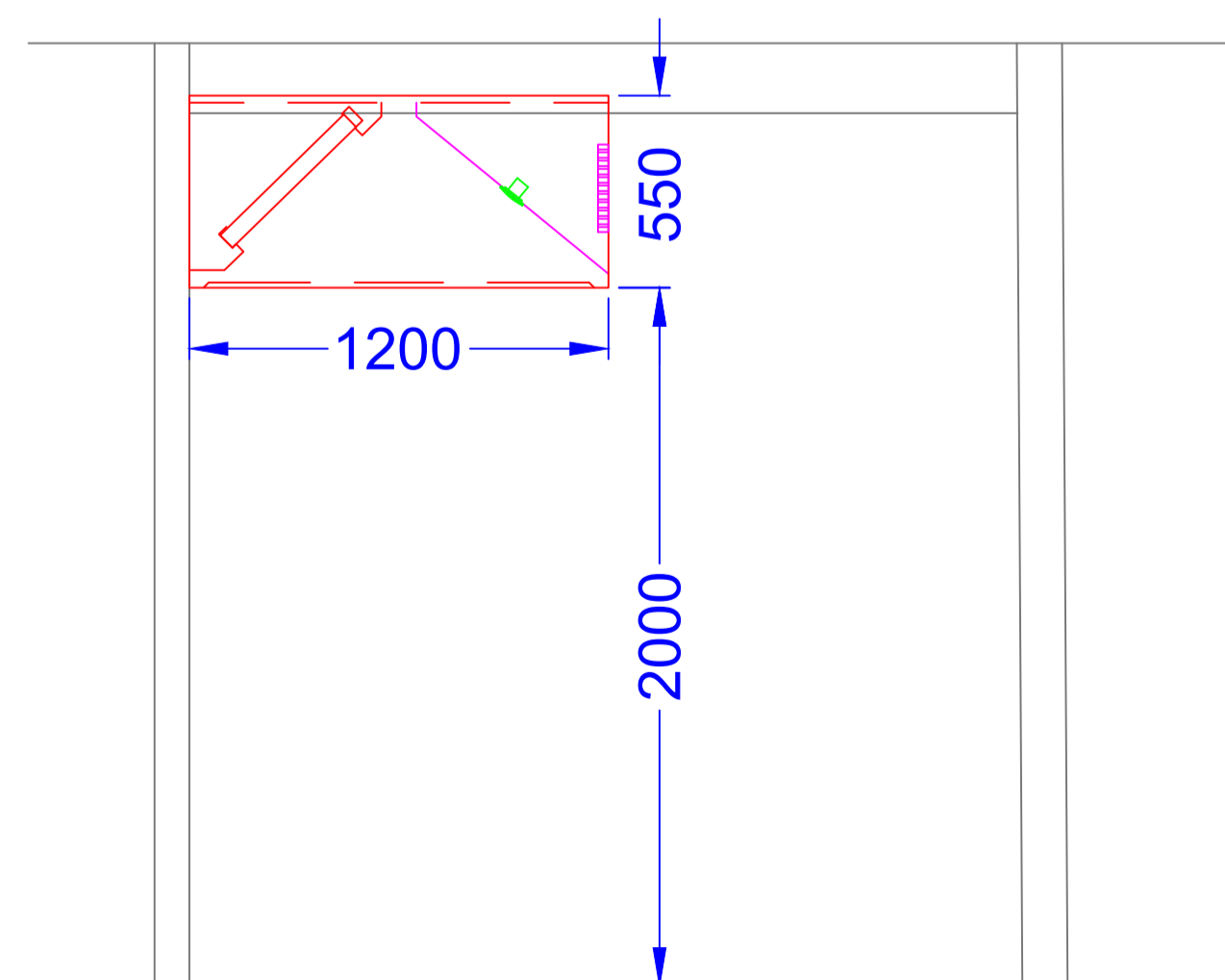
VIEW ON SUPPLY GRILL



CANOPY PROFILE



INSTALLATION ON ELEVATION A - A



INSTALLATION ON ELEVATION B - B

8 28.10.21 JH DRAWING REVISED IN LINE WITH CLIENT COMMENTS DWT  
A 06.10.21 JHM INITIAL ISSUE RELEASED FOR APPROVAL DWT

REV: DATE: BY: DESCRIPTION CHK:

CLIENT: BRYEN LANGLEY  
PROJECT: WORCESTER PARK BAPTIST CHURCH  
DRAWING TITLE: KITCHEN VENTILATION SCHEME  
PROJECT NUMBER: 6559/01 DRAWING NUMBER: 01/01 SHEET SIZE: A1 SCALE: 1:20

