

**LONDON BOROUGH OF  
BARNET**

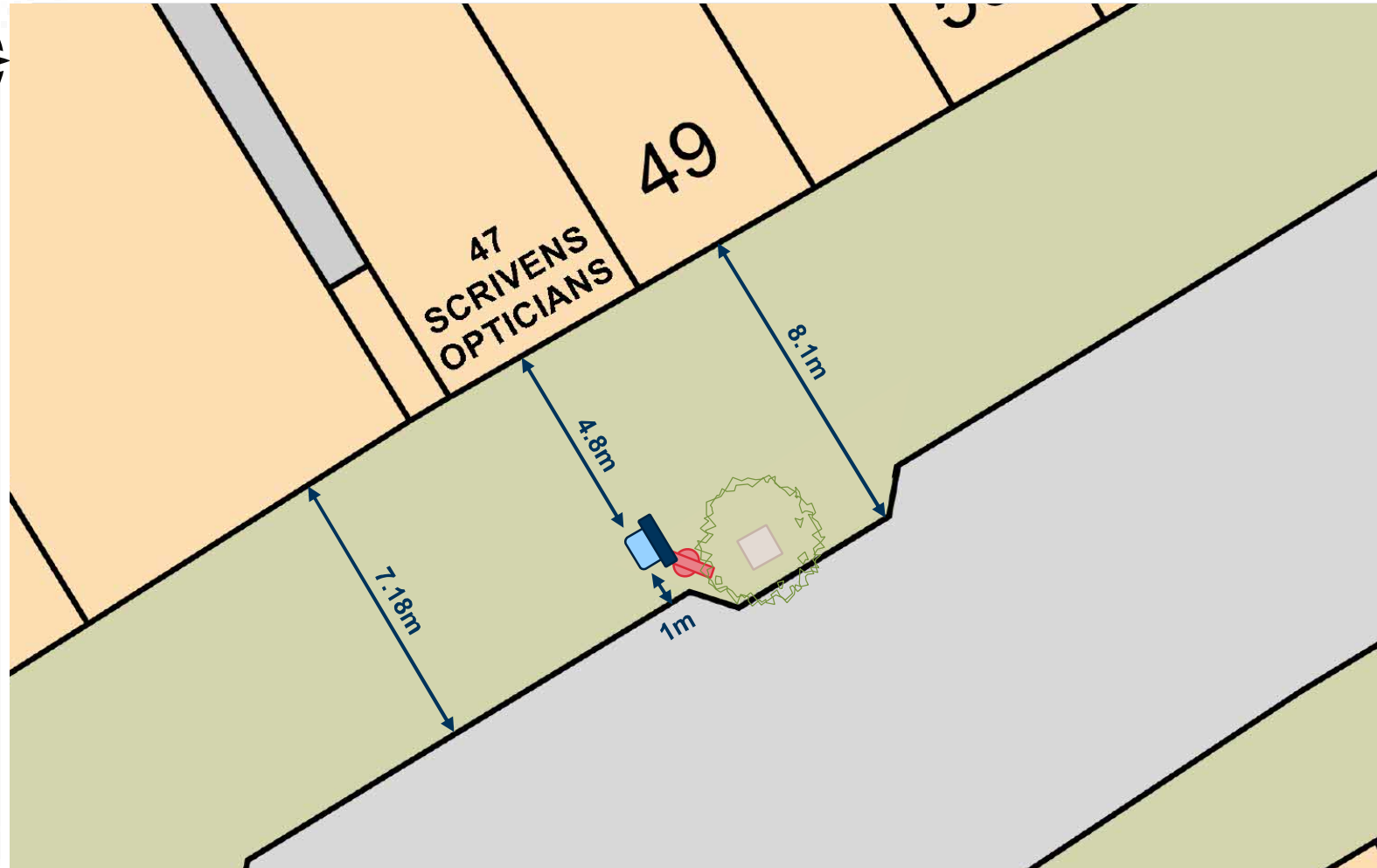
**Communication Hub Proposal**

Pavement Outside

**47 The Broadway (Scrivens) Mill Hill NW7 3DA**

**PART 1 - SITE PLAN AND IMAGES**





Existing Advert Unit



Proposed Hub Unit



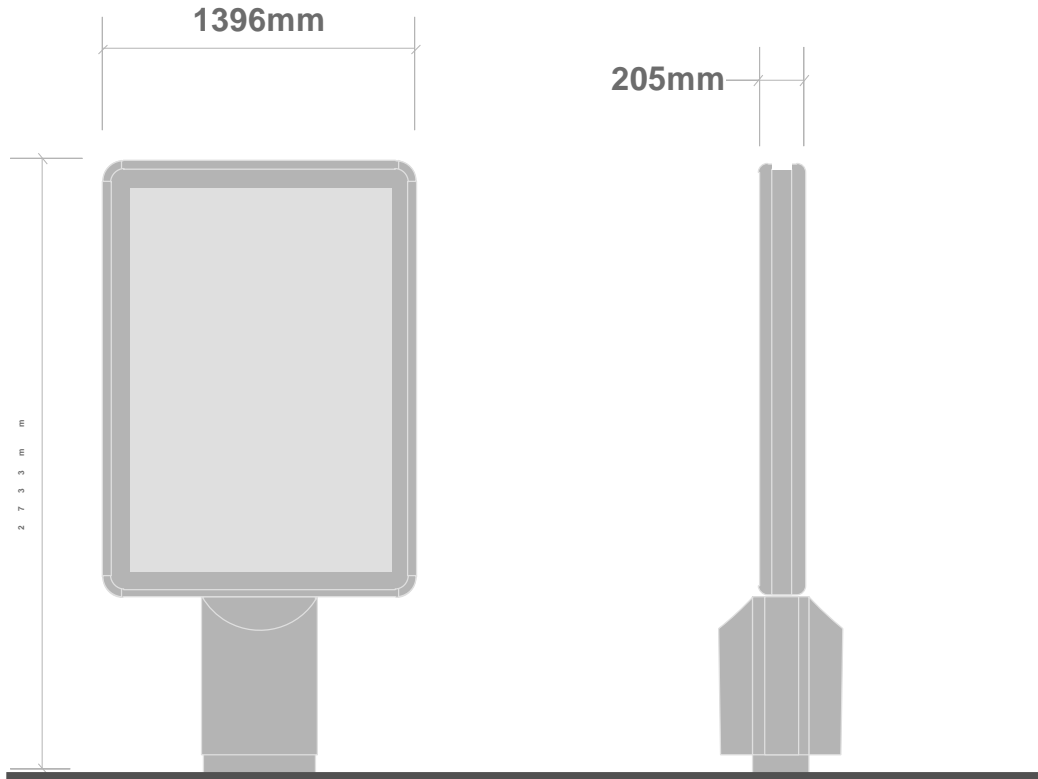
Street Tree



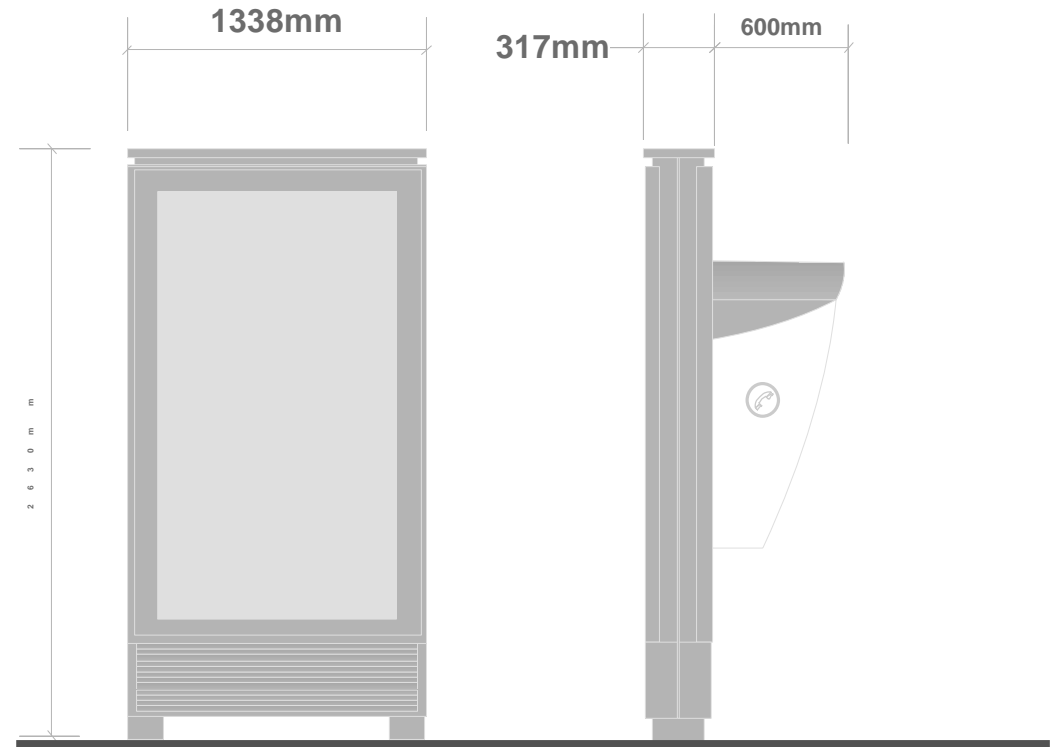
1:200 @ A4







EXISTING UNIT  
Paris 3 CIP



REPLACEMENT HUB