



Title:
Mr E Blundell
Stoneford House
Fosse Way
Eathorpe
Learnington Spa
CV33 9DG

All dimensions must be
checked on site prior to
work starting and
materials being ordered

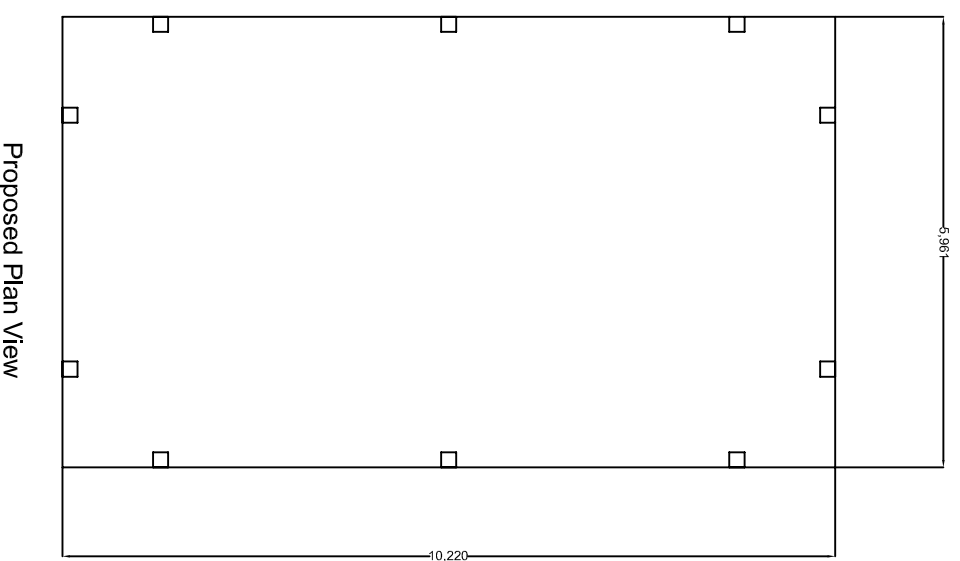
Date: 29.1.22

Drawn: LS

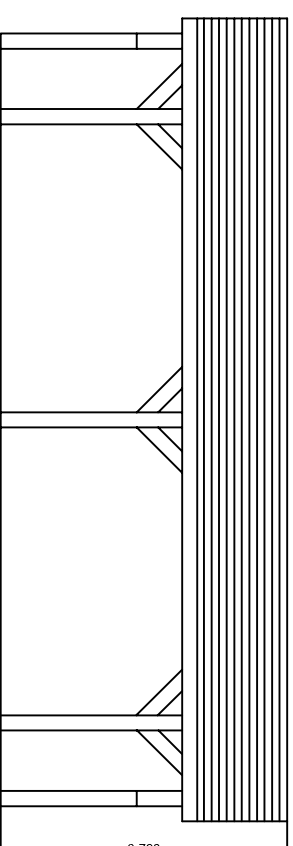
Scale: 1:100 @ A3

Drwg No: 8. Gazebo plan and
elevations

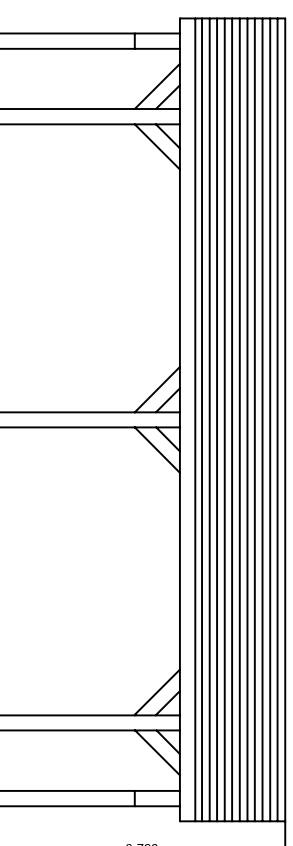
copyright
Lynn Smith
119 Blackhorse Road
Longford
Coventry
CV6 6DP



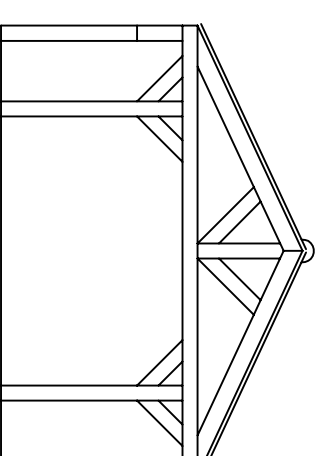
Proposed Plan View



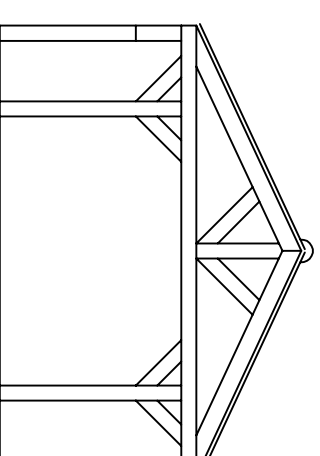
Proposed Left Elevation



Proposed Right Elevation



Proposed Front Elevation



Proposed Rear Elevation