

**COMMERCIAL  
& INDUSTRIAL**  
CHIMNEYS & EXHAUSTS

**PRICE BOOK - COMMERCIAL**

PRICES EFFECTIVE 1ST JANUARY 2022



[poujoulat.co.uk](http://poujoulat.co.uk)

# Choose Poujoulat for QUALITY

High-performance chimneys systems



Manufactured to the highest standard, every one of our chimney components is designed, built and tested at our factory, for quality that's guaranteed.



## Industry Leading Guarantees

For complete peace of mind, all Poujoulat system chimneys come with a 10 year warranty that is fully backed by AXA Insurance.



## HETAS Approved

All solid fuel and biomass Poujoulat system chimneys are HETAS Approved providing you with confidence that our chimneys conform to UK building regulations in their installation and use.



## CERIC Tested

All Poujoulat production is performed under the strict quality control of CERIC, the research and testing centre for the chimney and flue industry. The CERIC laboratory tests and approves every aspect of our chimney systems, guaranteeing their quality and safety.



## Sustainability

Poujoulat is committed to protecting the environment for future generations. That's why, whichever way your chimney system is configured, Poujoulat components work together to deliver the most efficient, consumption reducing and eco-friendly solution. Poujoulat UK also holds ISO 14001 certification, endorsing the company's quest for quality, continuous improvement and environmental responsibility.

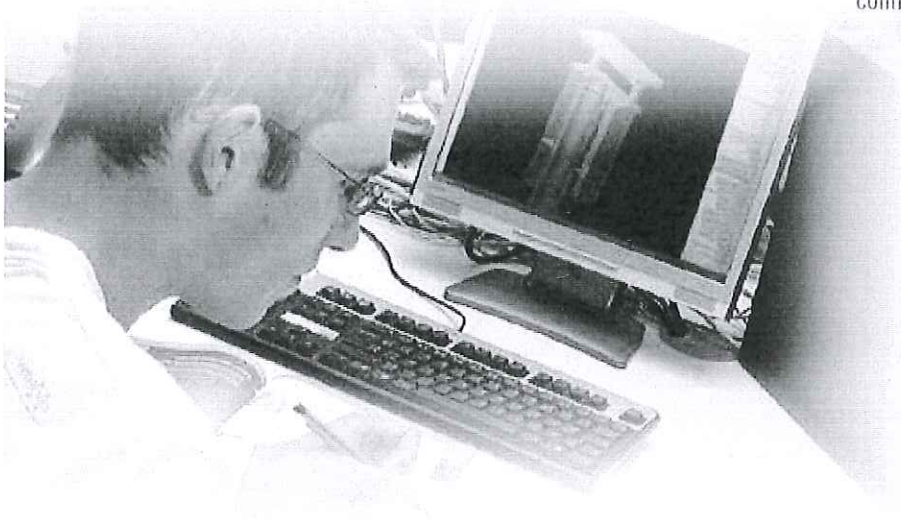


 All Poujoulat products carry the CE mark.

# Choose Poujoulat for SUPPORT

We are here to help

Our experienced UK Technical Team and Project Managers provide a complete turnkey package for your chimney projects. From conception to commissioning, our team are on-hand to support and advise during every step of the project, ensuring it comes in on time and budget.



## SEND YOUR ENQUIRY

☎ 01483 461700

✉ TECHNICAL@POUJOULAT.CO.UK

### OPENING HOURS

Monday to Friday: 8am to 4pm  
Closed on Saturdays & Sundays.

Poujoulat UK Ltd  
Unit 1, Quadrum Park,  
Old Portsmouth Road  
Guildford, Surrey, GU3 1LU

### Design & Estimating

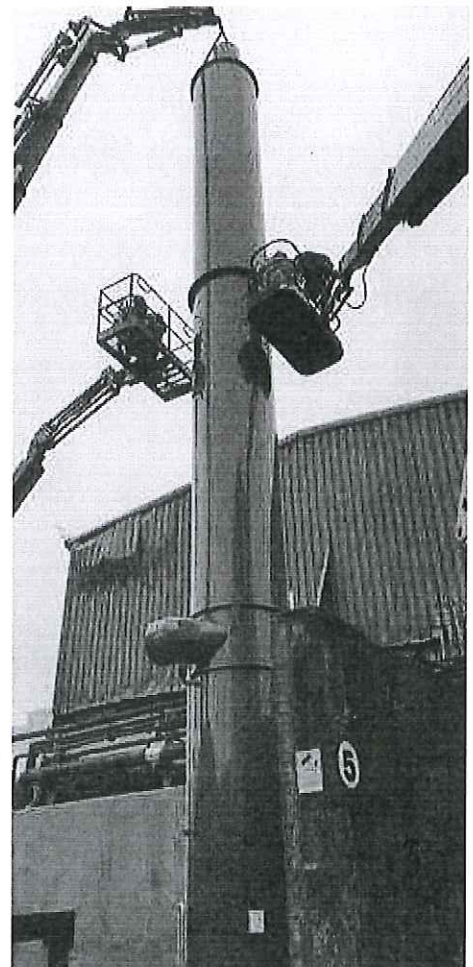
Our engineers will work with you to develop the optimum chimney solution and assist you with your project application. We can provide a full thermal and structural design and produce working drawings, all fully compliant with British and European Standards.

### Supply & Installation

Our highly qualified installers are ready to carry out a competent, quality installation to your satisfaction, whilst complying with today's Health & Safety requirements.

### Maintenance

Full-service after-care is available for the entire life cycle. Pro-active maintenance guarantees the optimum life expectancy and maximises efficiency. With our maintenance personnel, a pro-active, quality service is the standard.



# Choose Poujoulat for TRAINING

Improving industry standards

At Poujoulat, we believe that knowledge is power, so we provide a range of training solutions to support you in achieving your professional goals and retaining your competitive edge.

Our dedicated sales staff are always on hand to help and can provide assistance with everything from the initial design through to the completion of your project. We provide technical support, industry training, web tools and CAD drawings to enhance the customer experience.



## In-House Training

Poujoulat is widely renowned for its chimney system leadership in terms of build-quality, reliability and efficiency. To improve your skill-set, Poujoulat can provide bespoke in-house product training for you and your team. Speak to your Poujoulat account manager to learn more.

## Digital Learning

The Poujoulat online learning platform provides a range of video presentations and distance learning courses that enable you to learn at your own pace. This digital resource provides an ever-growing wealth of industry knowledge to support your professional development.

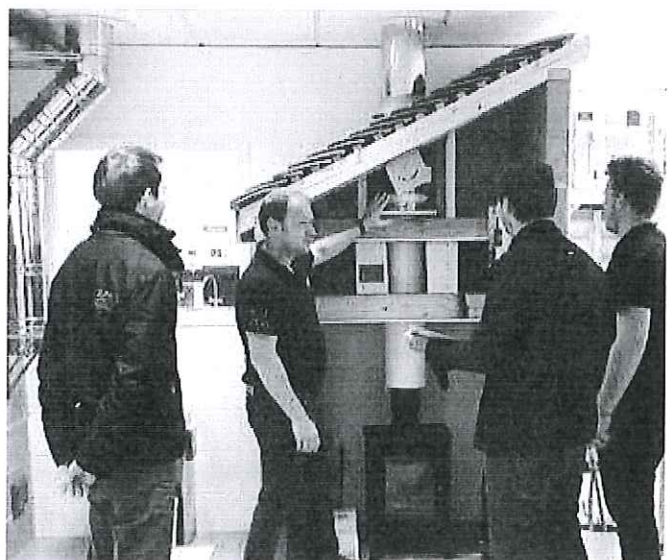
Scan the QR code or visit [www.e-learning-chimney.training](http://www.e-learning-chimney.training) and register today.



## Registered HETAS Training Centre

HETAS Training Courses are designed to cover safe, efficient and reliable appliance installation in accordance with the relevant regulations. Led by HETAS approved trainers, courses are suitable for installers, service engineers, chimney sweeps, specifiers and building control officers.

HETAS training courses run monthly in our Guildford (Surrey) training centre. Scan the QR code below or view the latest courses and book online at: [www.poujoulat.co.uk/article/training](http://www.poujoulat.co.uk/article/training)



# Choose Poujoulat for SERVICE

A full range of services designed to help the professional

At Poujoulat, people come first.

Our knowledgeable team have significant experience in the industry we serve and a determination to exceed our customers' expectations.

We have developed a full range of services to support you in achieving your goals.

## PLACE YOUR ORDER

☎ 01483 461700

✉ SALES@POUJOULAT.CO.UK



### Customer Service

Our friendly and professional customer service team are at the end of the phone to take your orders, check stock and answer any queries you have.

Call them on Tel: 01483 461700.

### Account Management

When you open an account with Poujoulat you'll be allocated a dedicated Account Manager who will take time to understand your business and provide you with the best advice and support.

### Distributors

Bringing quality closer to you. We have a series of specialist distribution partners across the country that hold high levels of stock, ready for immediate delivery.

They also provide help, service and advice for the local market. To find your nearest distributor, call Tel: 01483 461700.

### Trade Counter

Our Guildford trade counter is open for business 5 days a week for collections and is the ideal place to get all the chimney components and accessories you need or to speak to our team in person.



### Stock Availability

We carry over 5000 lines of stock. As standard, we offer a 2-3 day economy or next day delivery service for all standard products from stock on orders placed before 2:30pm.

### Van Delivery

Our dedicated delivery vans service our local deliveries, generally within a 2-hour radius from our Guildford HQ.



# European Leaders



1 500 Employees



## POUJOLAT EXPORT

CS 50016 - F-79270 SAINT-SYMPHORIEN  
TEL. : +33 5 49 04 47 63  
FAX : +33 5 49 04 16 85  
export@poujoulat.fr

**WESTAFLEX BÂTIMENT SAS**  
[www.westafrance.com](http://www.westafrance.com)

**MCC2I SAS**  
[www.mcc2i.com](http://www.mcc2i.com)

**BEIRENS SAS**  
[www.beirens.fr](http://www.beirens.fr)  
**BOIS-FACTORY 36**

**POUJOLAT SA**  
[www.poujoulat.fr](http://www.poujoulat.fr)

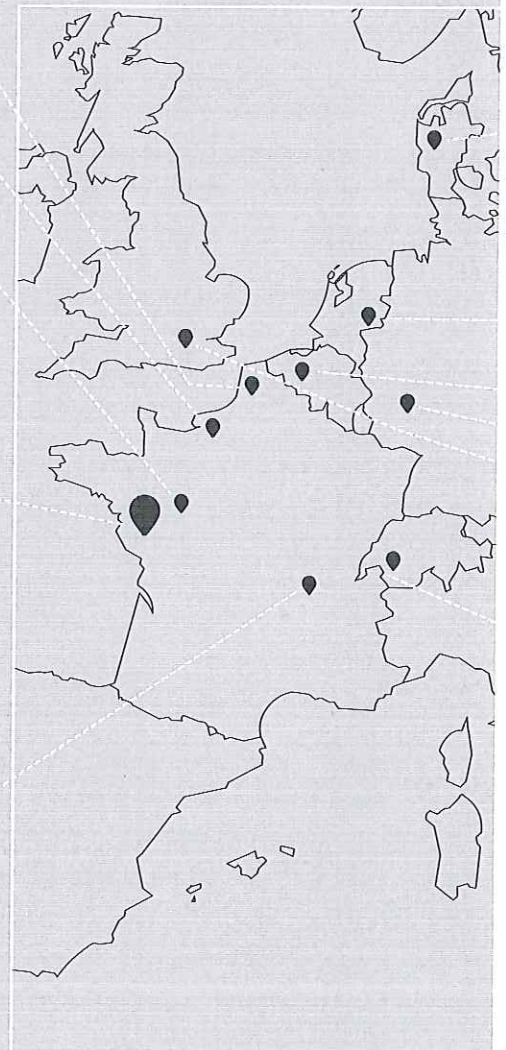
**EURO ÉNERGIES SAS**  
[www.woodstock-bois.fr](http://www.woodstock-bois.fr)  
[www.crepito.fr](http://www.crepito.fr)

**LABORATOIRE CÉRIC**  
[www.laboratoire-ceric.com](http://www.laboratoire-ceric.com)

**AGECIC**  
[www.agecic.fr](http://www.agecic.fr)

**TOLERIE FOREZIENNE SAS**  
[www.tolerie-forezienne.com](http://www.tolerie-forezienne.com)  
**BOIS-FACTORY 42**

## GROUP COMPANIES





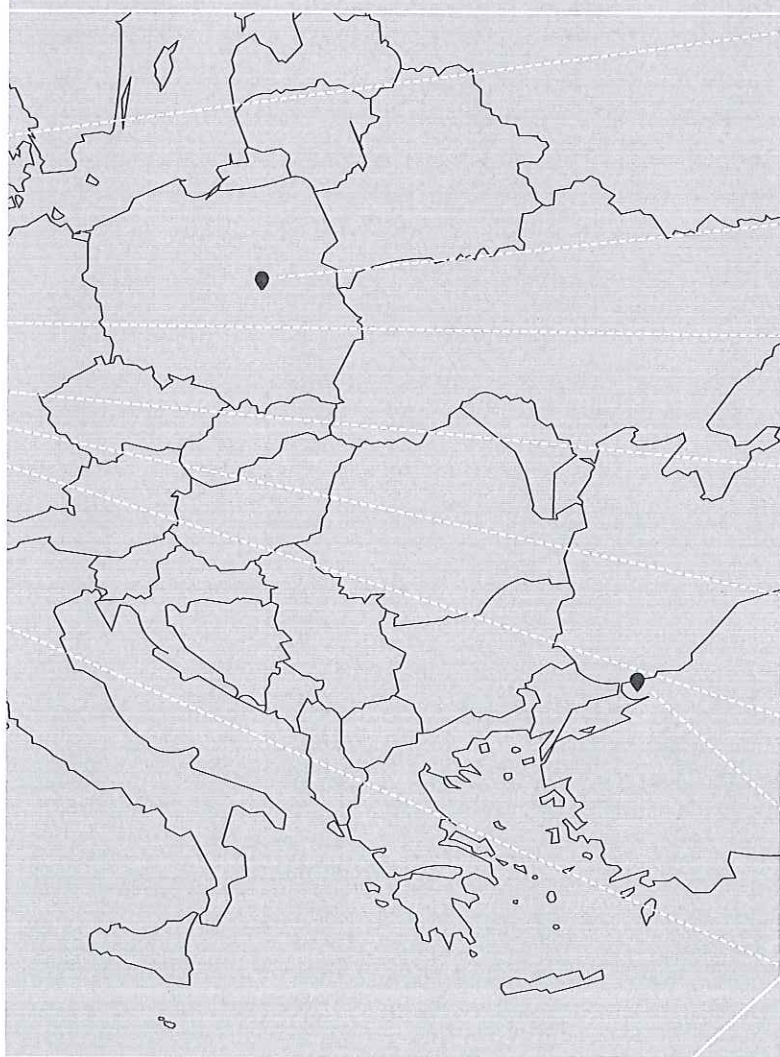
■ Chimneys for residential applications



■ Wood fuels



■ Industrial chimneys



**BAO ZHU LI**



Denmark  
**VL STAAL A/S**  
[www.vlstaal.com](http://www.vlstaal.com)  
**D.S.T.**  
[www.dst-as.dk](http://www.dst-as.dk)

Poland  
**POUJOLAT SP. Z O.O.**  
[www.poujoulat.com.pl](http://www.poujoulat.com.pl)

The Netherlands  
**POUJOLAT BV**  
[www.poujoulat.nl](http://www.poujoulat.nl)

Belgium  
**POUJOLAT BELUX SAS**  
[www.poujoulat.be](http://www.poujoulat.be)

Germany  
**POUJOLAT GMBH**  
[www.livegmbh.com](http://www.livegmbh.com)

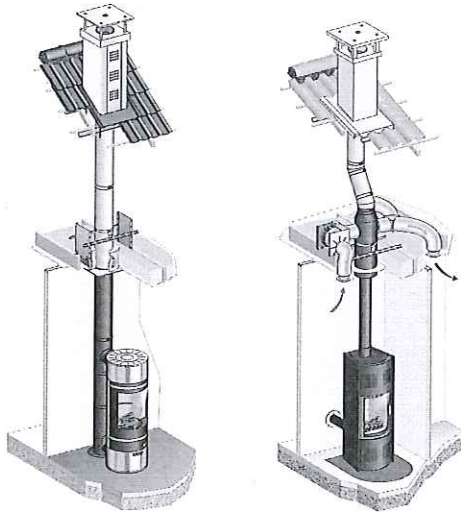
United Kingdom  
**POUJOLAT UK LTD**  
[www.poujoulat.co.uk](http://www.poujoulat.co.uk)

Turkey  
**POUJOLAT BACA SISTEMLERI AS**  
[www.poujoulat.com.tr](http://www.poujoulat.com.tr)

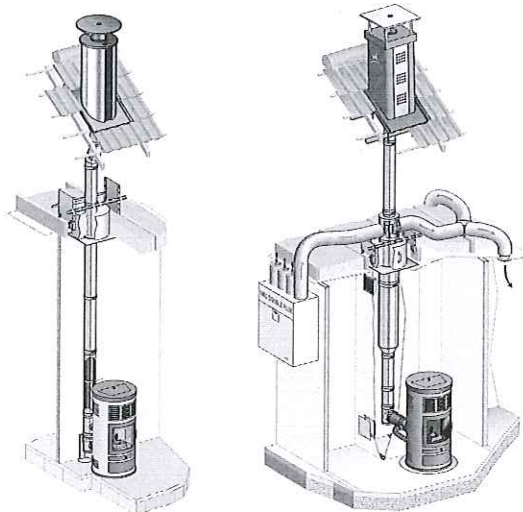
Switzerland  
**CHIME-FLEX SA**  
**TECHNI-FLEX SARL**  
[www.chime-flex.ch](http://www.chime-flex.ch)

# A Product to Suit Every Need

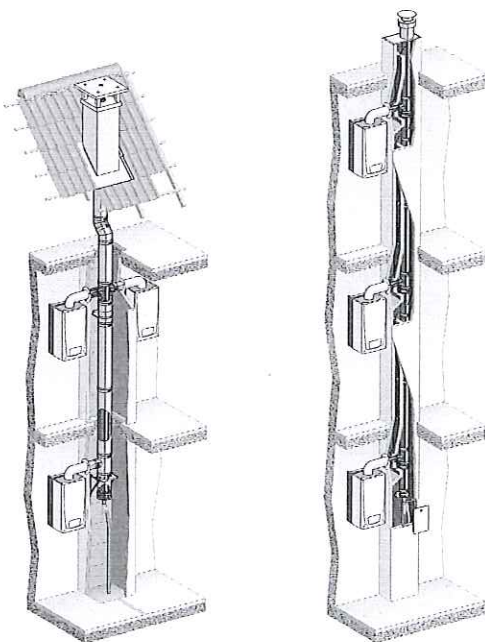
Based on partnerships with retailers, chimney installers, appliance manufacturers, energy suppliers, distributors, and builders, Cheminées Poujoulat anticipates the trends and develops effective innovative solutions for houses, apartment blocks, offices, factories, hospitals, schools, industrial buildings and district heating schemes.



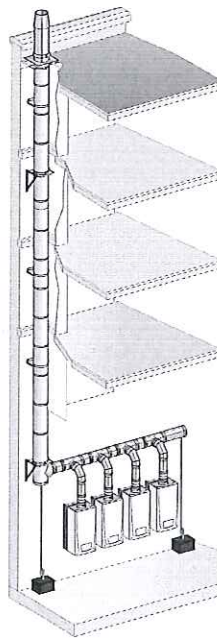
WOOD-BURNING STOVES & INSERTS



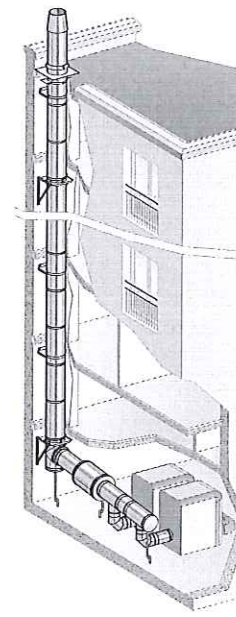
PELLET STOVES



GAS CONDENSING BOILERS



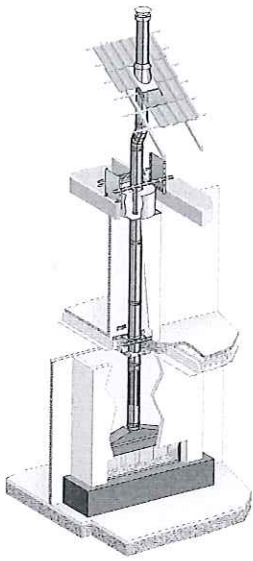
CASCADE SYSTEMS



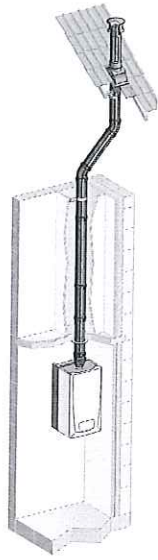
GAS, OIL & BIOMASS BOILERS



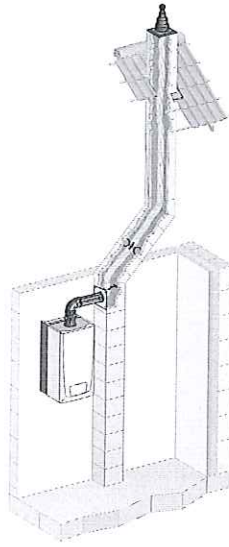
# OUR EXPERTISE



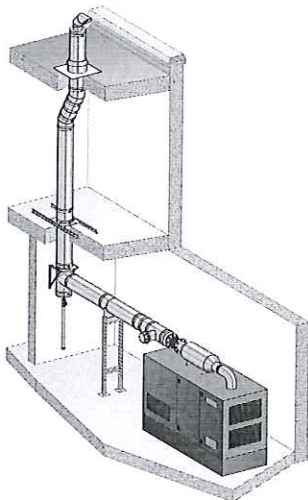
GAS FIRES



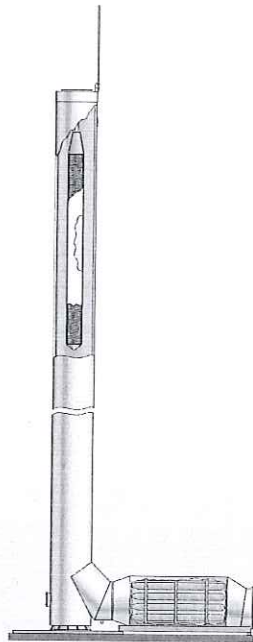
WALL MOUNTED INDIVIDUAL GAS BOILERS



FLOOR MOUNTED INDIVIDUAL GAS, OIL & BIOMASS BOILERS



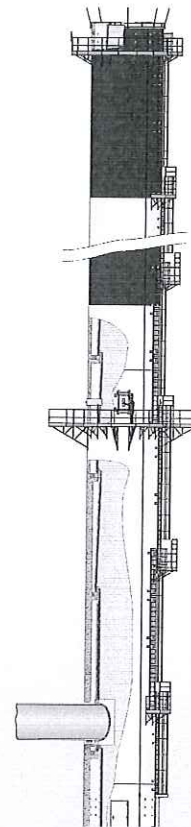
GENERATOR AND CHP EXHAUSTS



SILENCERS



MULTI-FLUE CHIMNEYS



INDUSTRIAL CHIMNEYS

**Poujoulat**   
Group

BEIRENS 

V. Staal 

mccall 



# CONTENTS

## TWIN WALL INSULATED CHIMNEY SYSTEMS

THERMINOX	12-19
THERM+ GEP	20-23
THERM+ CHP	24-27

## SINGLE WALL CHIMNEY SYSTEMS

CONDENSOR	28-33
SYSTEM CASCADE	34-35

## CONCENTRIC FLUE SYSTEMS

DUALIS EI	36-37
DUALIS EP / GP	38-39

## FLEXIBLE LINERS

316L & 904L STARFLEX	40-41
TUBINOX GF-P	42-43
DUALIS FLEXCONDENS	44-45

## COLLECTIVE SYSTEMS

3CE P MULTI+ INTERNAL	46-55
3CE P MULTI+ EXTERNAL	56-59
DUALIS 3CE NATURAL	60-61

## EXODRAFT CHIMNEY FANS

62-63

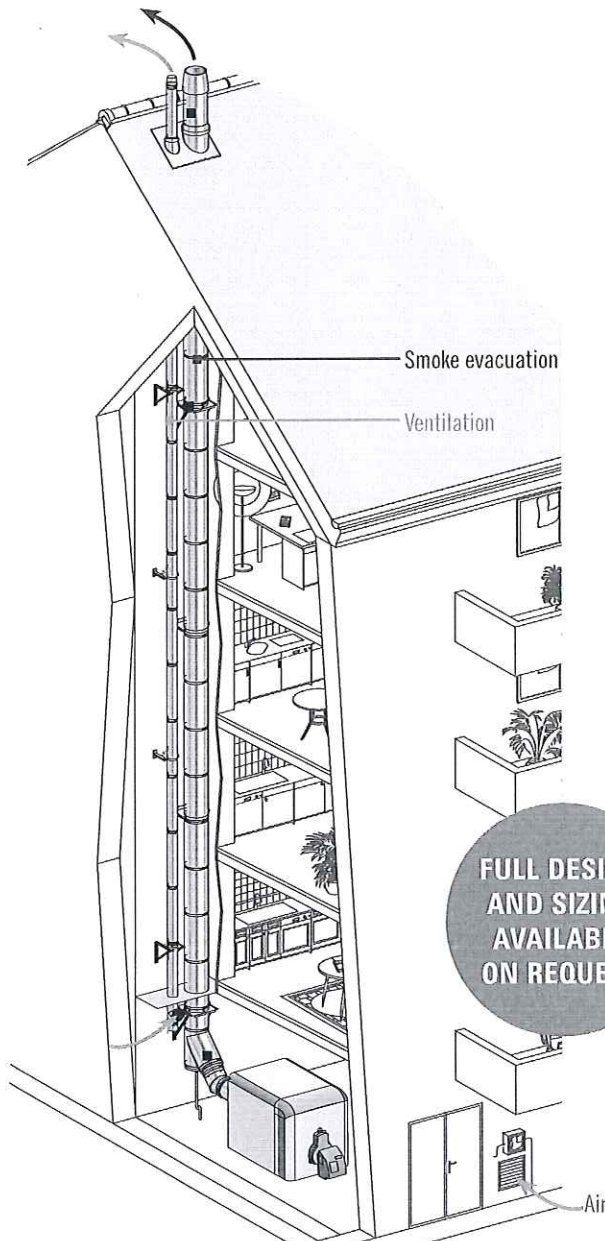
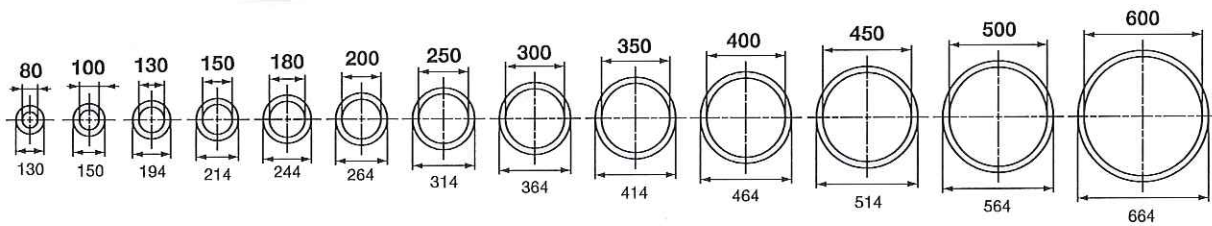
## ANCILLARIES

64-66

# THERMINOX TI/ZI

## TWIN WALL INSULATED SYSTEM

THERMINOX is a high quality stainless steel twin wall pre-insulated "system chimney" for heating appliances. A continuously welded liner provides a pressure and moisture resistant system when used with the optional Joint Seal, for applications requiring pressure tightness up to 200 Pa. Available as TI with a bright polished stainless steel outer case and for internal use our ZI has a galvanised steel outer casing. THERMINOX is CE marked and designated as suitable for use with all gas, oil, pellet and wood burning appliances, whether these are atmospheric, pressure-jet, or fully condensing. Complete with a comprehensive range of standard accessories to suit all applications and environments.



**CE**  
 0071-CPR-0014  
 BS EN 1856-1

**Ø80 to Ø300**  
 T450 N1 W V2 L50 040 G50  
 T250 N1 W V2 L50 040 O20  
 T200 P1 W V2 L50 040 O20\*

**Ø350 to Ø450**  
 T450 N1 W V2 L50 050 G75  
 T250 N1 W V2 L50 050 O30  
 T200 P1 W V2 L50 050 O30\*

**Ø500**  
 T450 N1 W V2 L50 050 G100  
 T250 N1 W V2 L50 050 O40  
 T200 P1 W V2 L50 050 O40\*

**Ø600**  
 T450 N1 W V2 L50 060 G100  
 T250 N1 W V2 L50 060 O40  
 T200 P1 W V2 L50 060 O40\*

\* Requires joint seal

