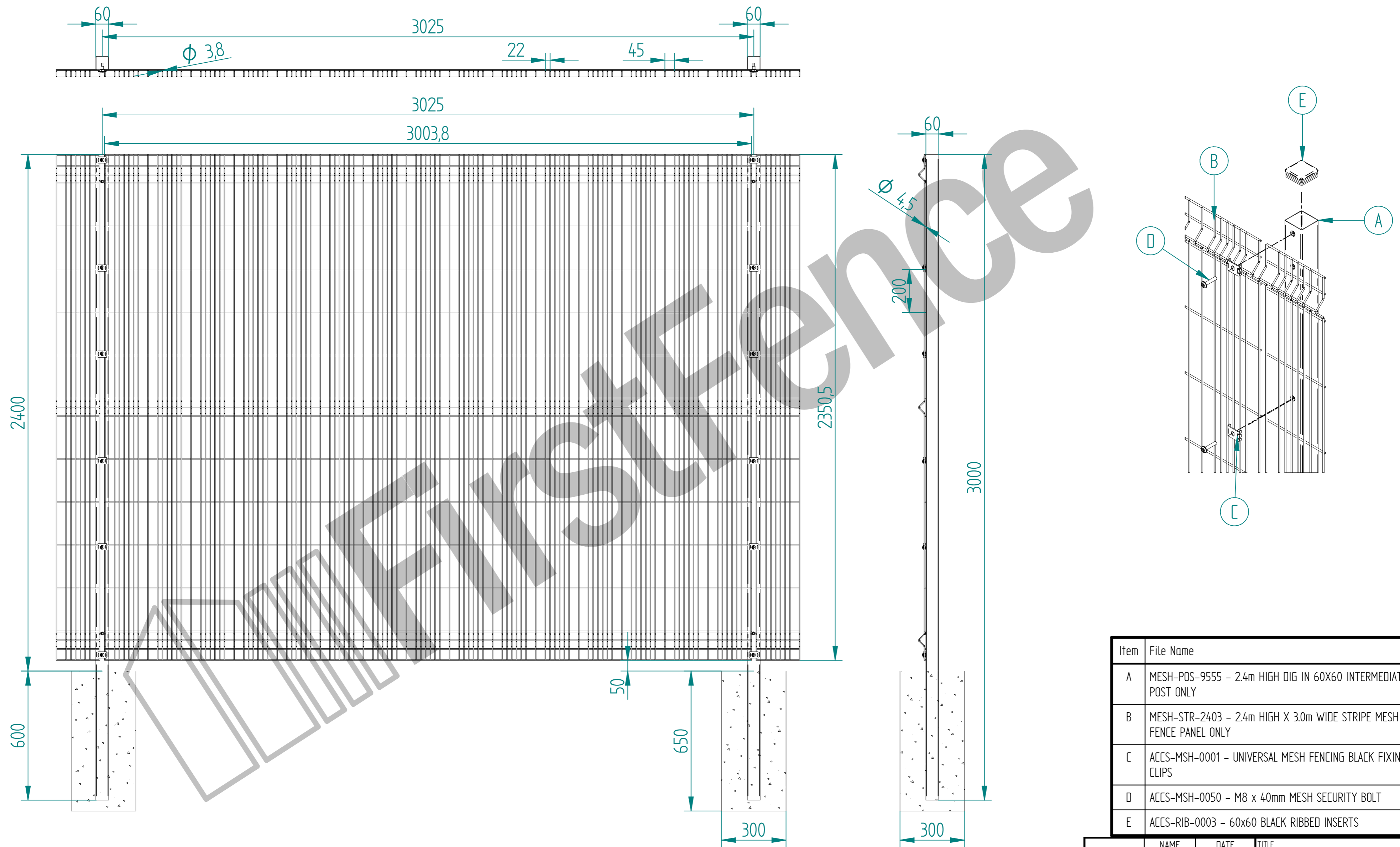


2.4m HIGH STRIPE MESH FENCING WITH 60x60 DIG IN KIT

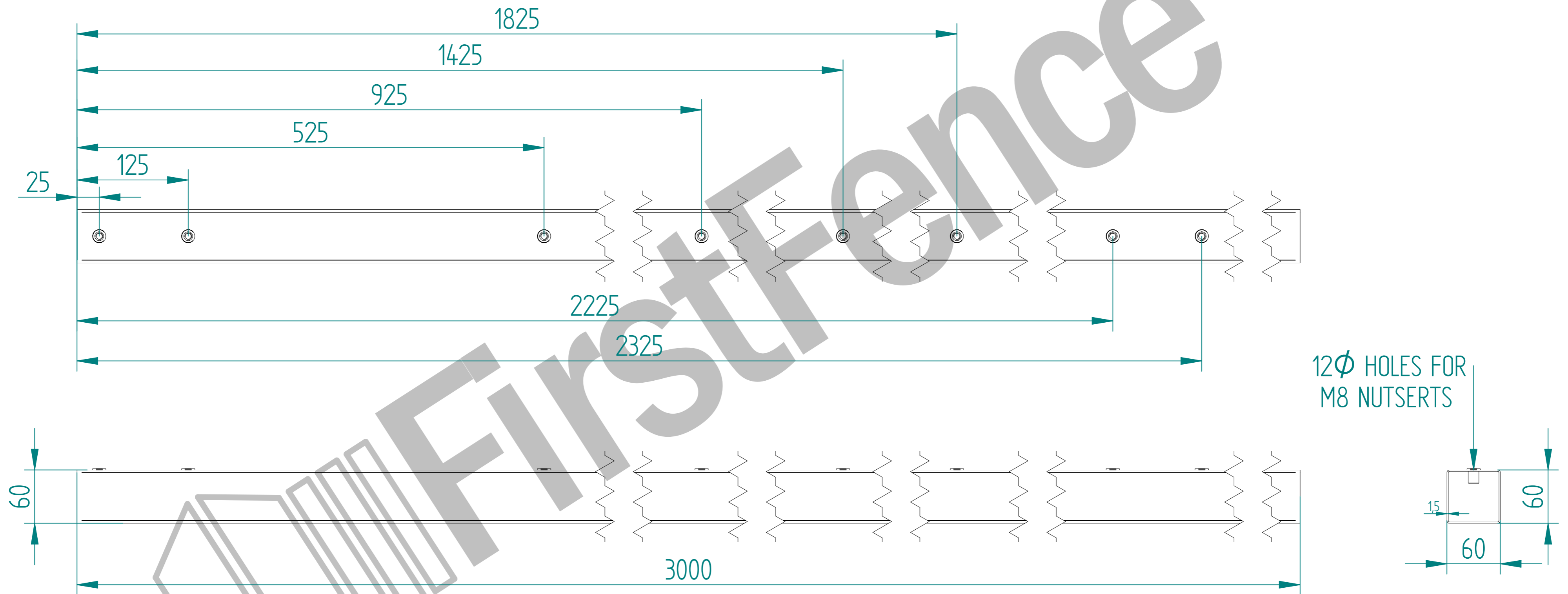



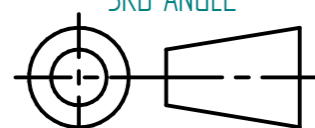
Item	File Name	Quantity
A	MESH-POS-9555 - 2.4m HIGH DIG IN 60X60 INTERMEDIATE POST ONLY	1
B	MESH-STR-2403 - 2.4m HIGH X 3.0m WIDE STRIPE MESH FENCE PANEL ONLY	1
C	ACCS-MSH-0001 - UNIVERSAL MESH FENCING BLACK FIXING CLIPS	6
D	ACCS-MSH-0050 - M8 x 40mm MESH SECURITY BOLT	6
E	ACCS-RIB-0003 - 60x60 BLACK RIBBED INSERTS	1

NAME	DATE	TITLE
DRAWN LT	08/17/20	MESH-KIT-3220 - 2.4m HIGH STRIPE MESH FENCING WITH 60X60 DIG IN KIT
CHECKED		
ENG APPR		

		First Fence <small>First Fence Ltd, Kiln Way, Swadlincote, Derbyshire, DE11 8EA 01283 512 111 sales@firstfence.co.uk</small>
SIZE A3	<small>NOTE: SPELLS ANY OCCURRENCES BY FINDING WITH THIS DRAWING PLEASE INFORM FIRST FENCE COPYRIGHT OF THIS DRAWING IS OWNED BY FIRST FENCE LIMITED</small>	REV A
WEIGHT: N/A	SHEET 1 OF 3	

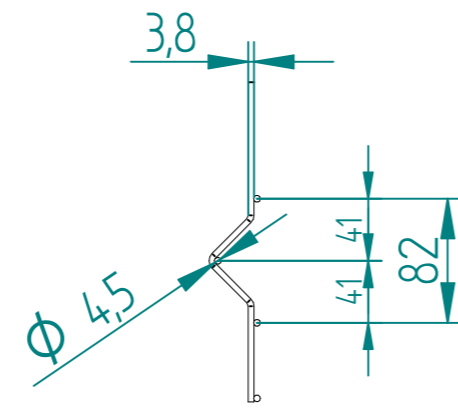
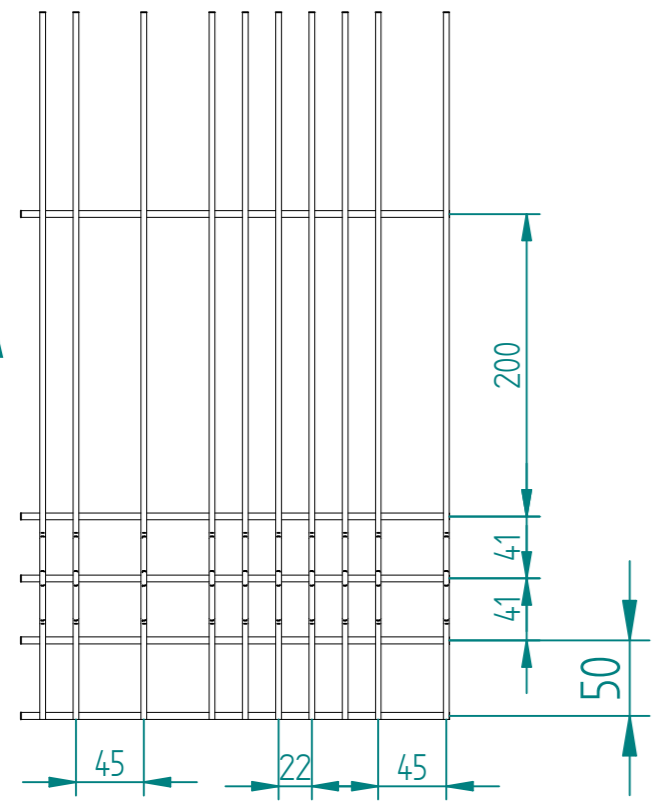
60x60 DI, (2.4m) AL 3000mm



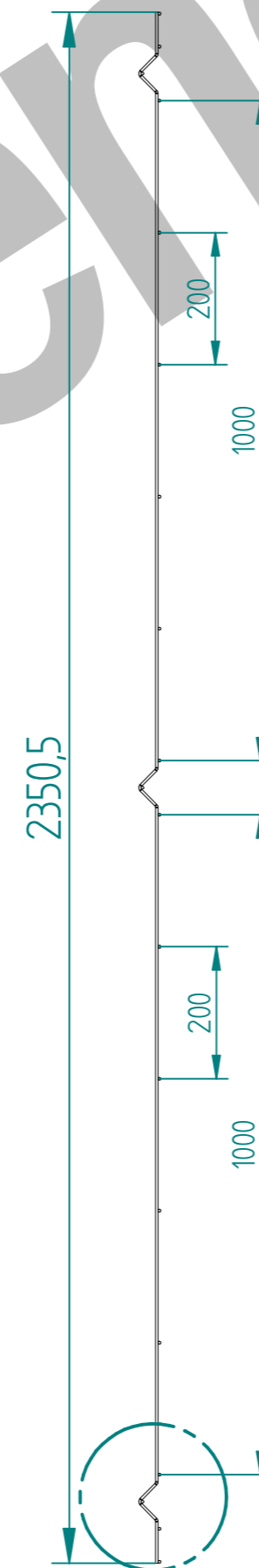
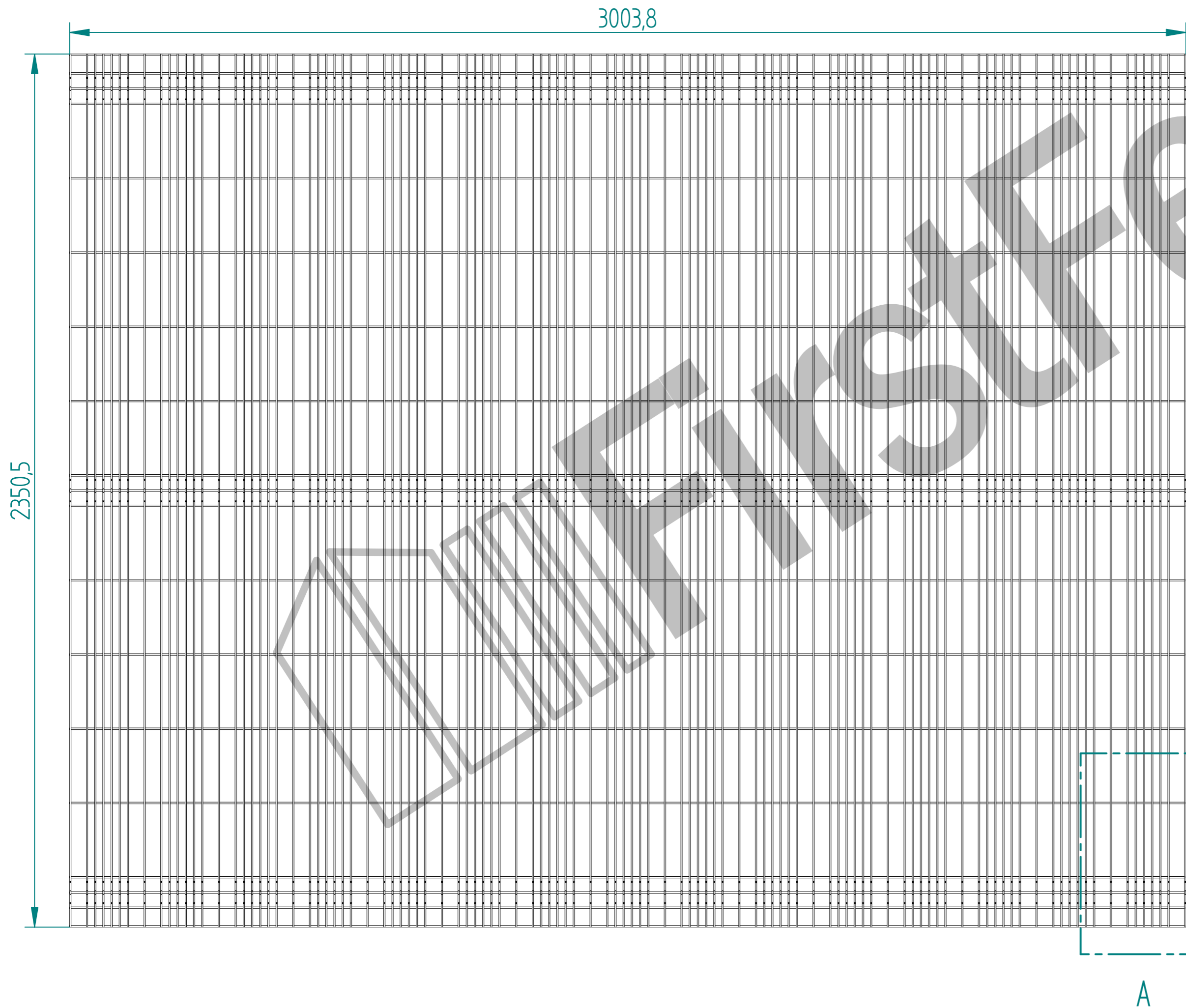
	NAME	DATE	TITLE
DRAWN	LT	08/17/20	MESH-POS-9555 - 2.4m HIGH DIG IN 60X60 INTERMEDIATE POST ONLY
CHECKED			
ENG APPR			
3RD ANGLE			 <small>First Fence Ltd, Kiln Way, Swadlincote, Derbyshire, DE11 8EA 01283 512 111 sales@firstfence.co.uk</small>
		SIZE A3 <small>NOTE: SPECIFY ANY DIMENSIONS BY FINING WITH THIS DRAWING PLEASE INFORM FIRST FENCE COPYRIGHT OF THIS DRAWING IS OWNED BY FIRST FENCE LIMITED</small>	
			WEIGHT: 8.175 kg
			SHEET 2 OF 3

2.4m HIGH x 3.0m WIDE STRIPE MESH

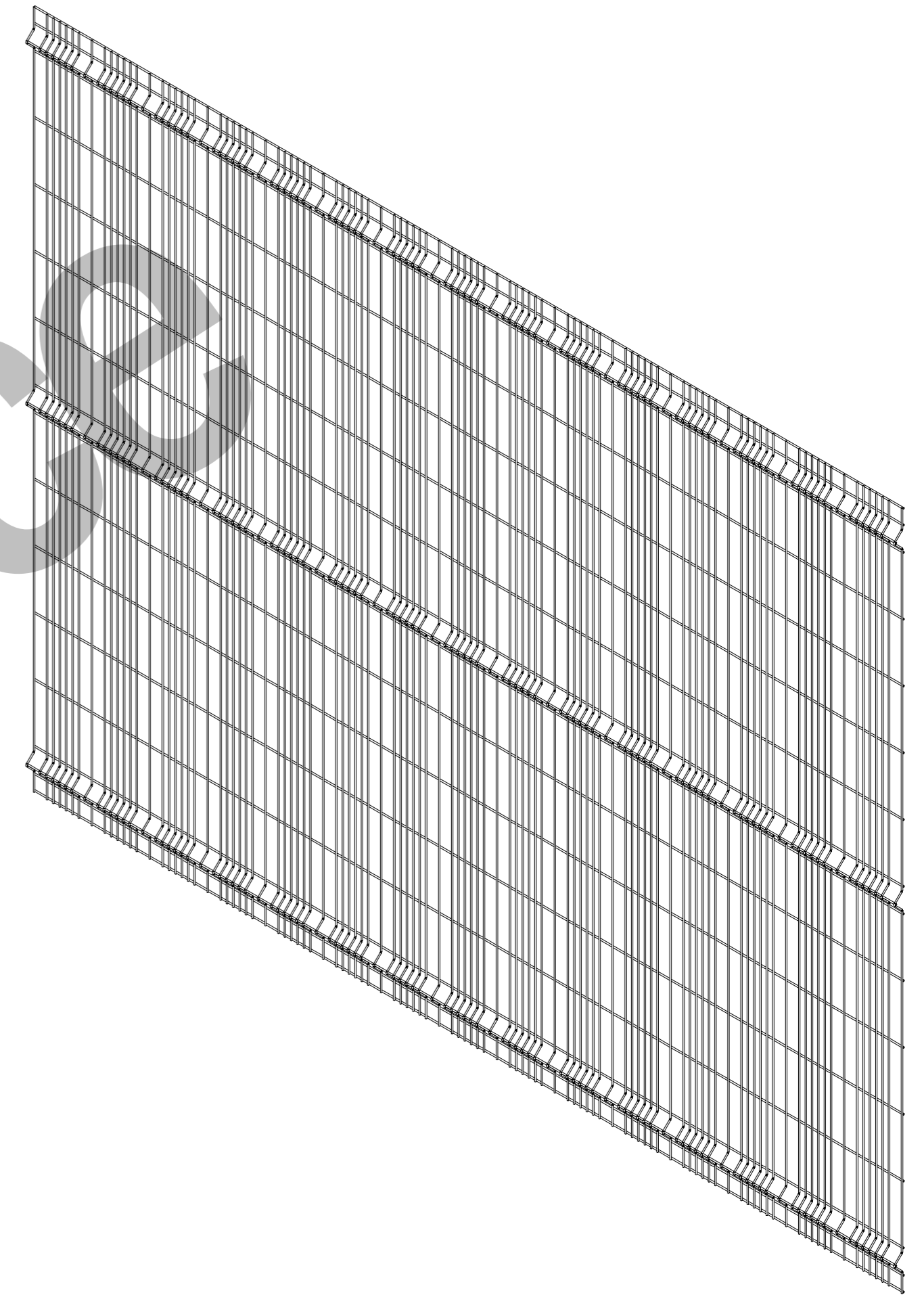
DETAIL A


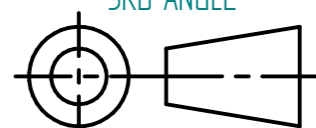


DETAIL B

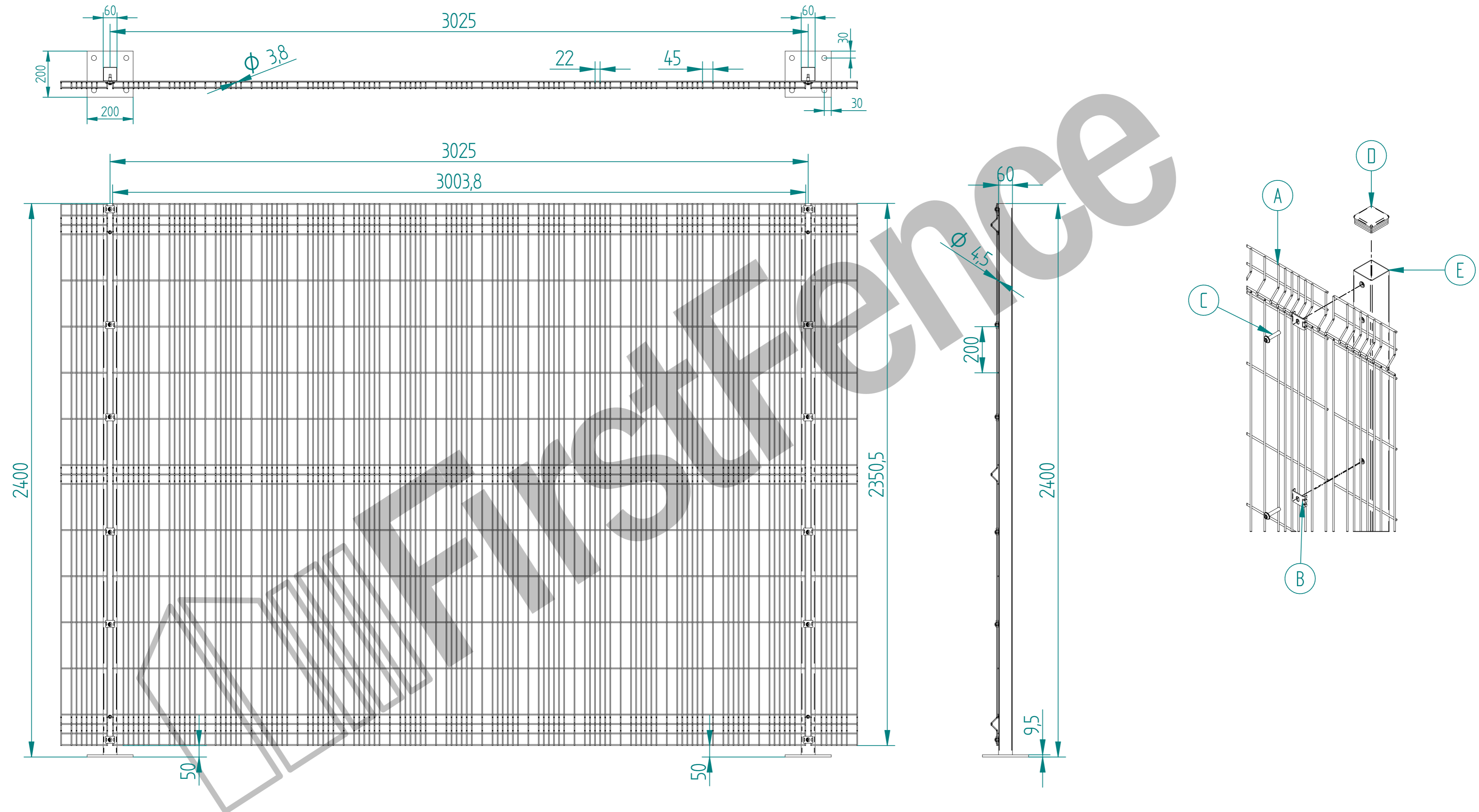


B



	NAME	DATE	TITLE
DRAWN	LT	08/17/20	MESH-STR-2403 - 2.4m HIGH X 3.0m WIDE STRIPE MESH FENCE PANEL ONLY
CHECKED			
ENG APPR			
3RD ANGLE			 <small>First Fence Ltd, Kiln Way, Swadlincote, Derbyshire, DE11 8EA 01283 512 111 sales@firstfence.co.uk</small>
		SIZE A3	
			WEIGHT: 29.998 kg
			SHEET 3 OF 3

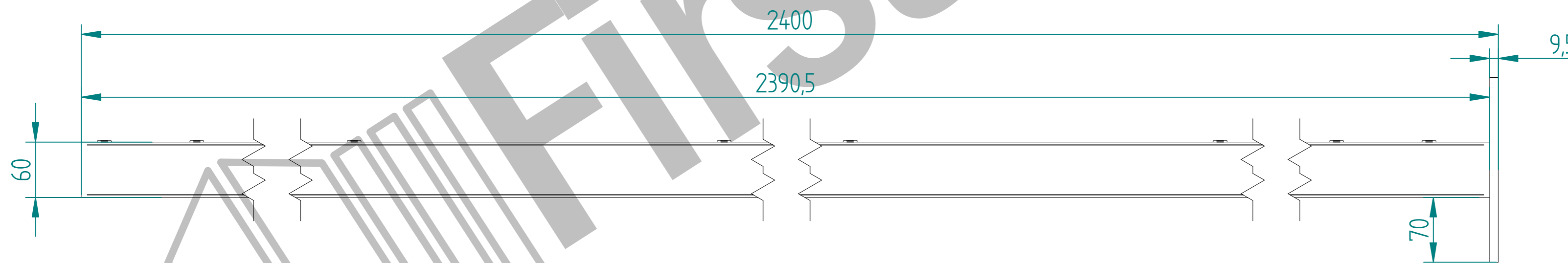
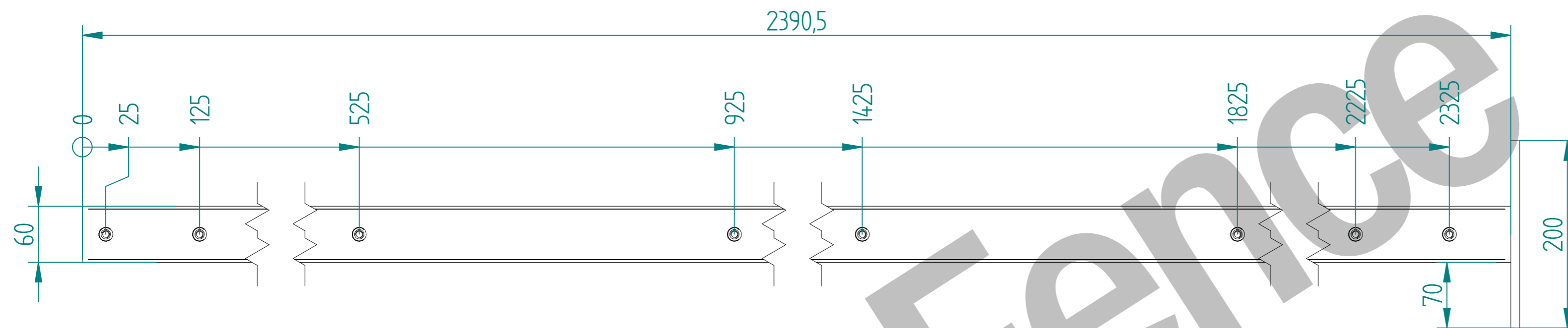
2.4m HIGH STRIPE MESH FENCING WITH 60x60 BOLT DOWN KIT



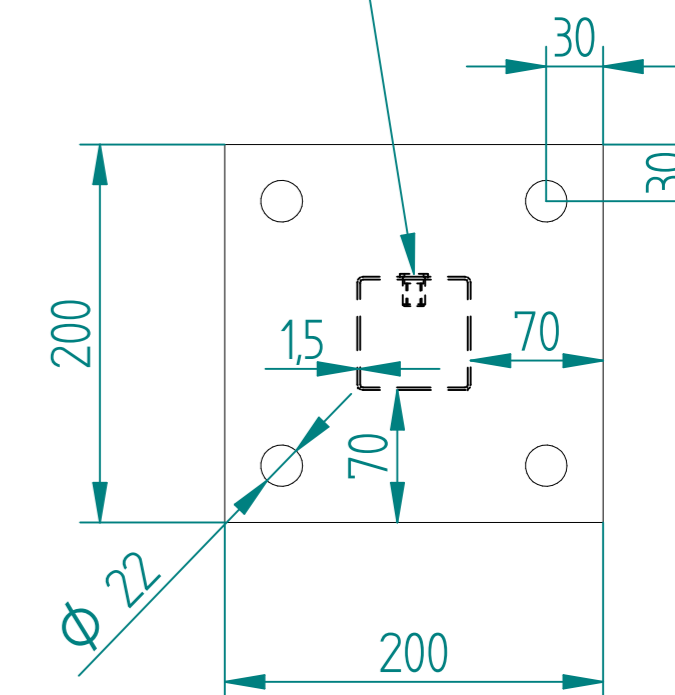
Item	File Name	Quantity
A	MESH-STR-2403 - 2.4m HIGH X 3.0m WIDE STRIPE MESH FENCE PANEL ONLY	1
B	ACCS-MSH-0001 - UNIVERSAL MESH FENCING BLACK FIXING CLIPS	6
C	ACCS-MSH-0050 - M8 x 40mm MESH SECURITY BOLT	6
D	ACCS-RIB-0003 - 60x60 BLACK RIBBED INSERTS	1
E	MESH-POS-9652 - 2.4m HIGH BOLT DOWN 60X60 INTERMEDIATE POST ONLY	1

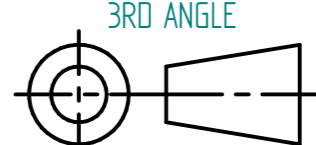

DRAWN	NAME	DATE	TITLE
CHECKED	LT	08/17/20	MESH-KIT-3222 - 2.4m HIGH STRIPE MESH FENCING WITH 60X60 BOLT DOWN KIT
ENG APPR			
SIZE	<small>NOTE: SPELL ANY OCCURRENCES OF FIRING WITH THIS DRAWING PLEASE INFORM FIRST FENCE</small>		REV
A3	<small>DERBYSHIRE, DE11 8EA</small>		A
<small>WEIGHT: N/A</small>			<small>SHEET 1 OF 3</small>

60x60 BD, (2.4m)



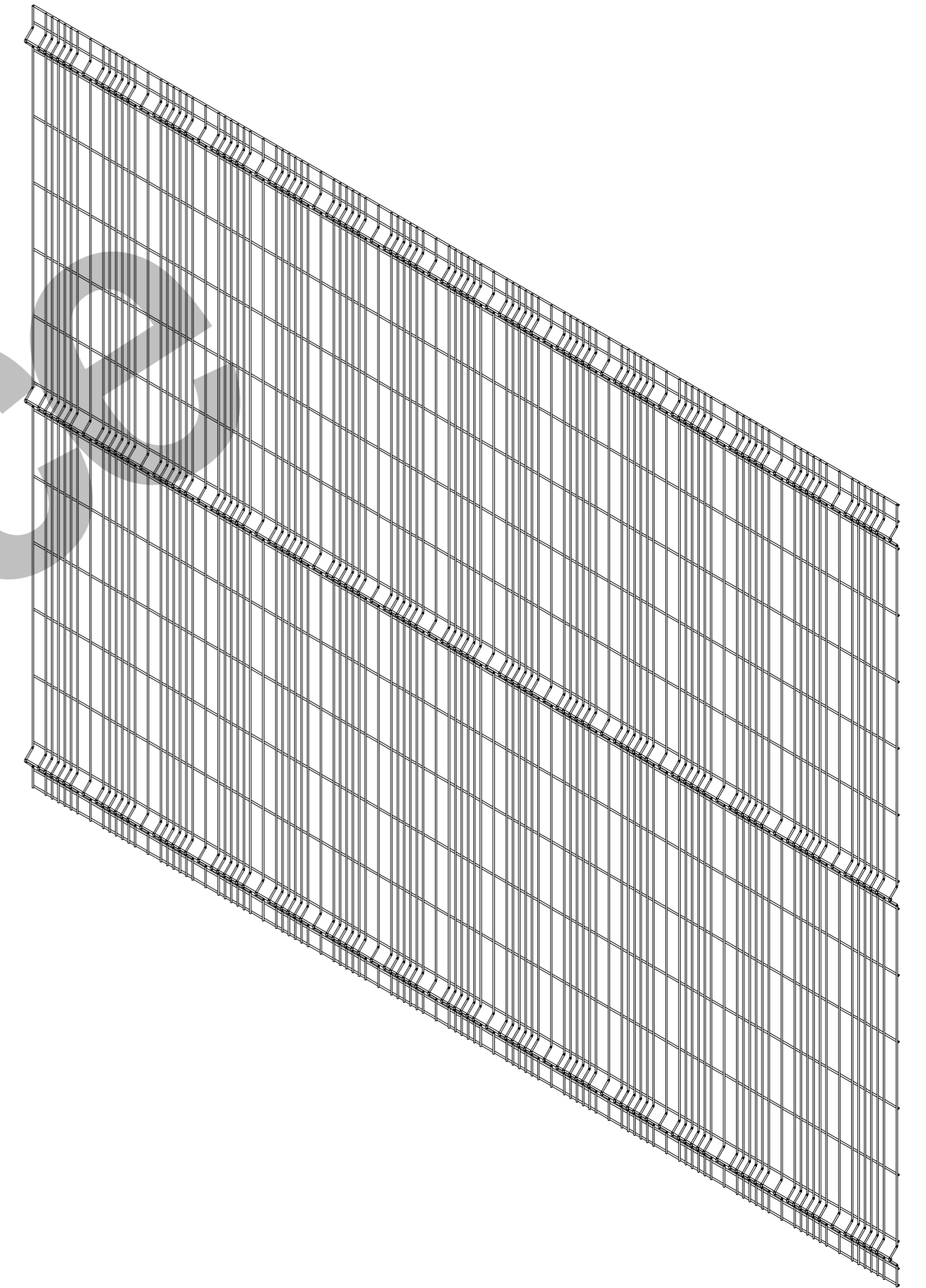
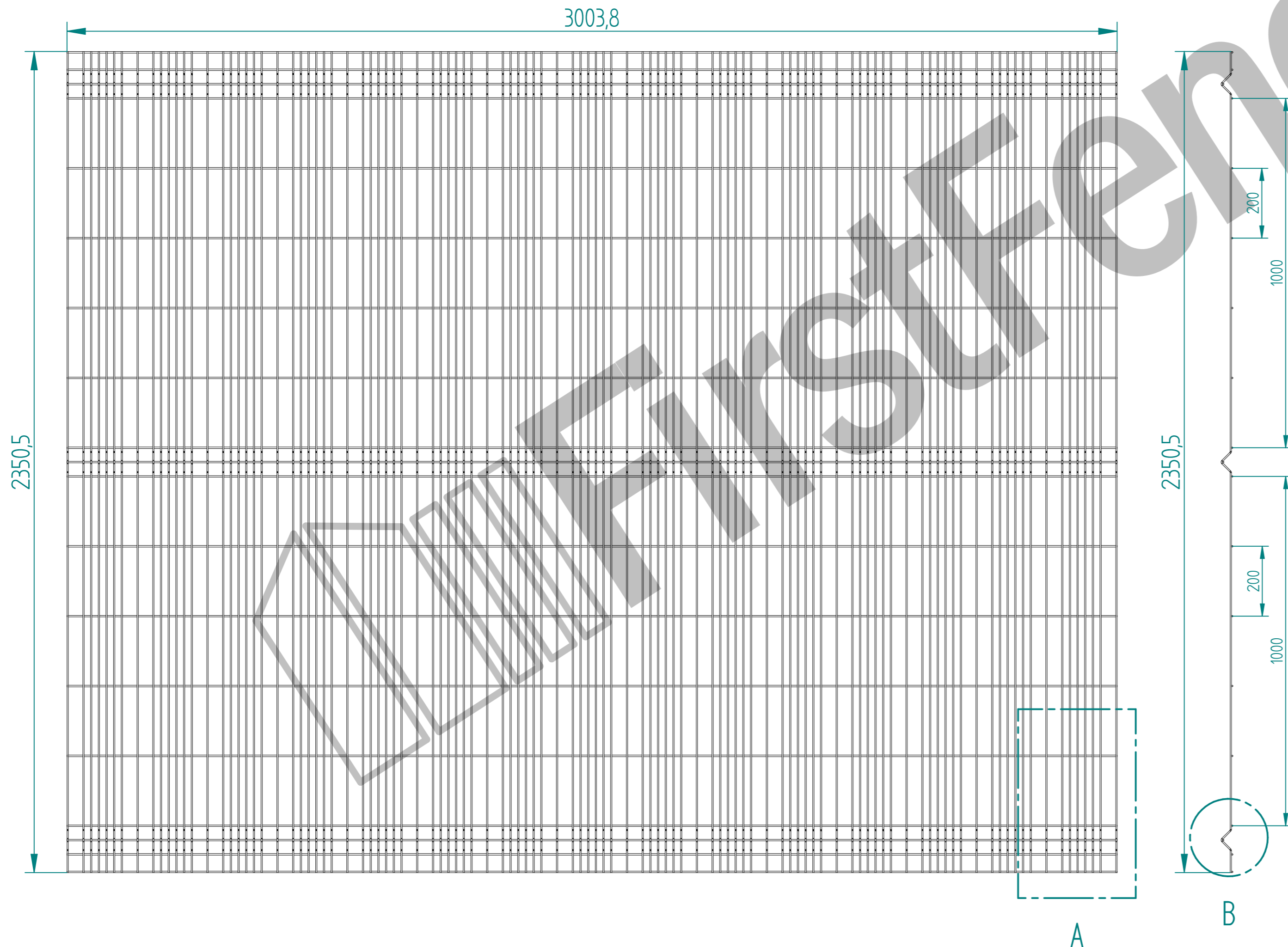
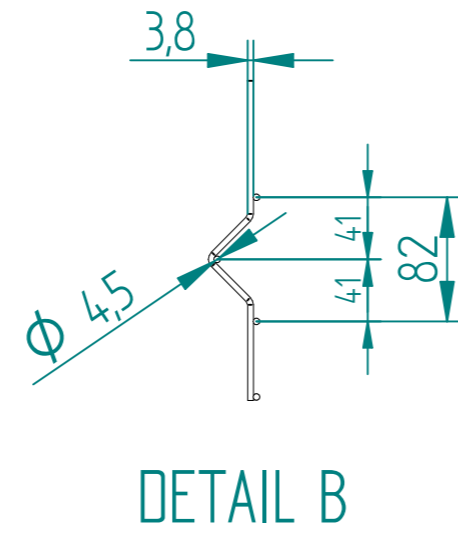
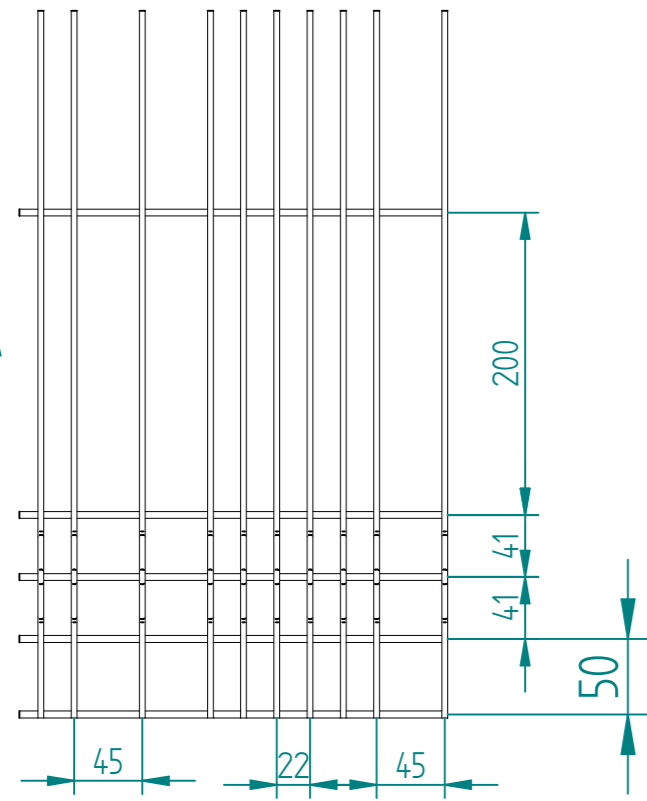
12 ϕ HOLES WITH M8 NUTSERTS


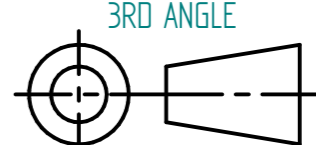


NAME	DATE	TITLE
DRAWN LT	08/17/20	MESH-POS-9652 - 2.4m HIGH BOLT DOWN 60X60 INTERMEDIATE POST ONLY
CHECKED		
ENG APPR		
		
SIZE A3	WEIGHT: 9.391 kg	REV A
<small>NOTE: CHECK ANY DIMENSIONS BY FINDING WITH THIS DRAWING PLEASE INFORM FIRST FENCE COPYRIGHT OF THIS DRAWING IS OWNED BY FIRST FENCE LIMITED</small>		<small>First Fence Ltd, Kiln Way, Swadlincote, Derbyshire, DE11 8EA 01283 512 111 sales@firstfence.co.uk</small>

2.4m HIGH x 3.0m WIDE STRIPE MESH

DETAIL A



	NAME	DATE	TITLE
DRAWN	LT	08/17/20	MESH-STR-2403 - 2.4m HIGH X 3.0m WIDE STRIPE MESH FENCE PANEL ONLY
CHECKED			
ENG APPR			
3RD ANGLE			 <small>First Fence Ltd, Kiln Way, Swadlincote, Derbyshire, DE11 8EA 01283 512 111 sales@firstfence.co.uk</small>
		SIZE A3 <small>NOTE: SHOULD ANY DISCREPANCIES BE FOUND WITH THIS DRAWING, PLEASE INFORM FIRST FENCE COPYRIGHT OF THIS DRAWING IS OWNED BY FIRST FENCE LIMITED</small>	
			WEIGHT: 29.998 kg
			SHEET 3 OF 3