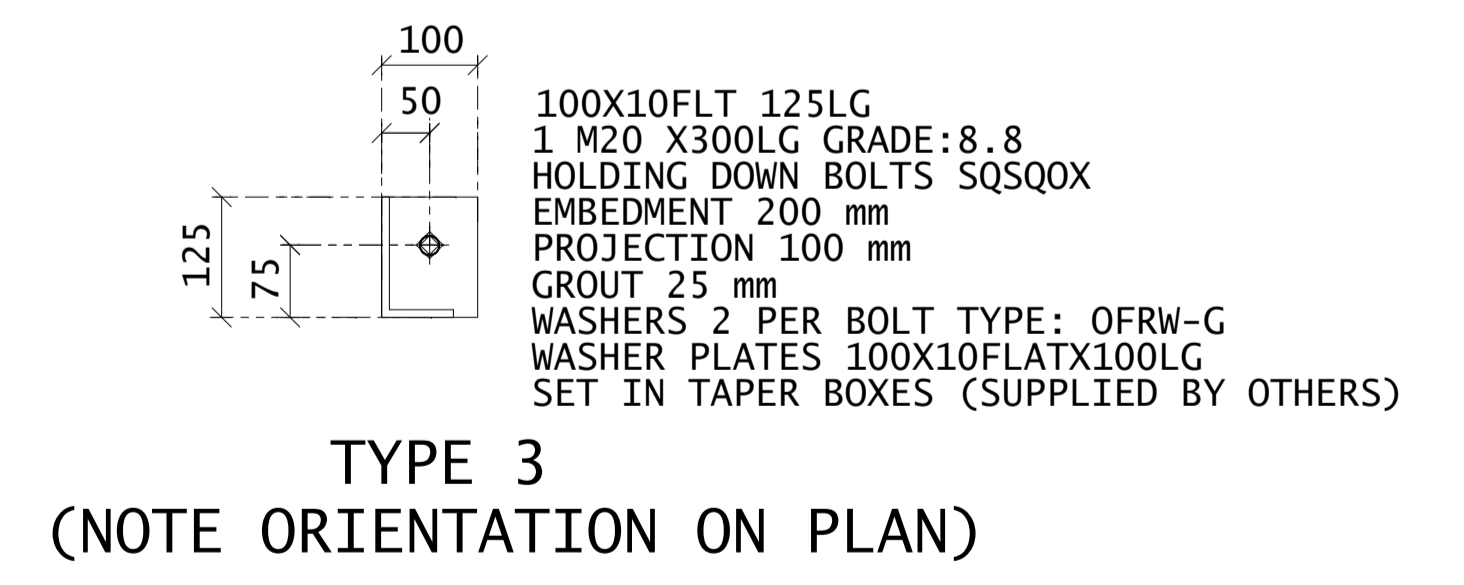
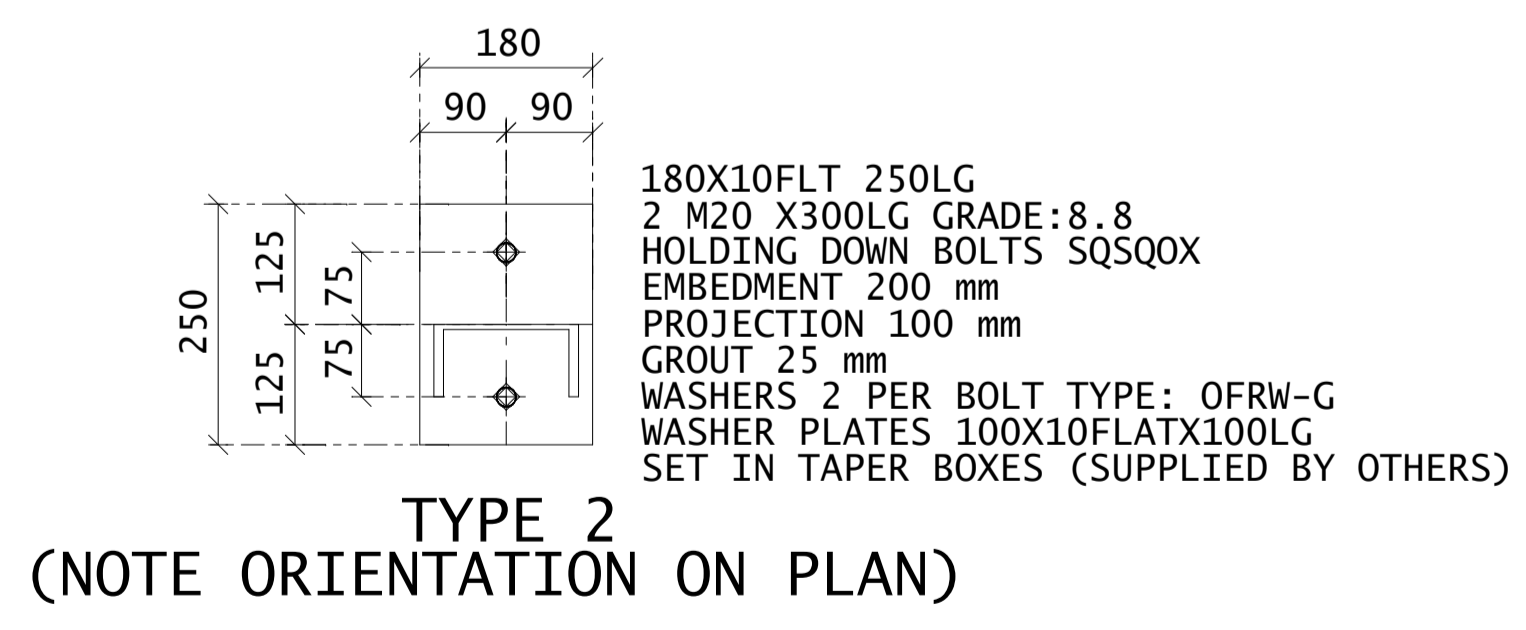
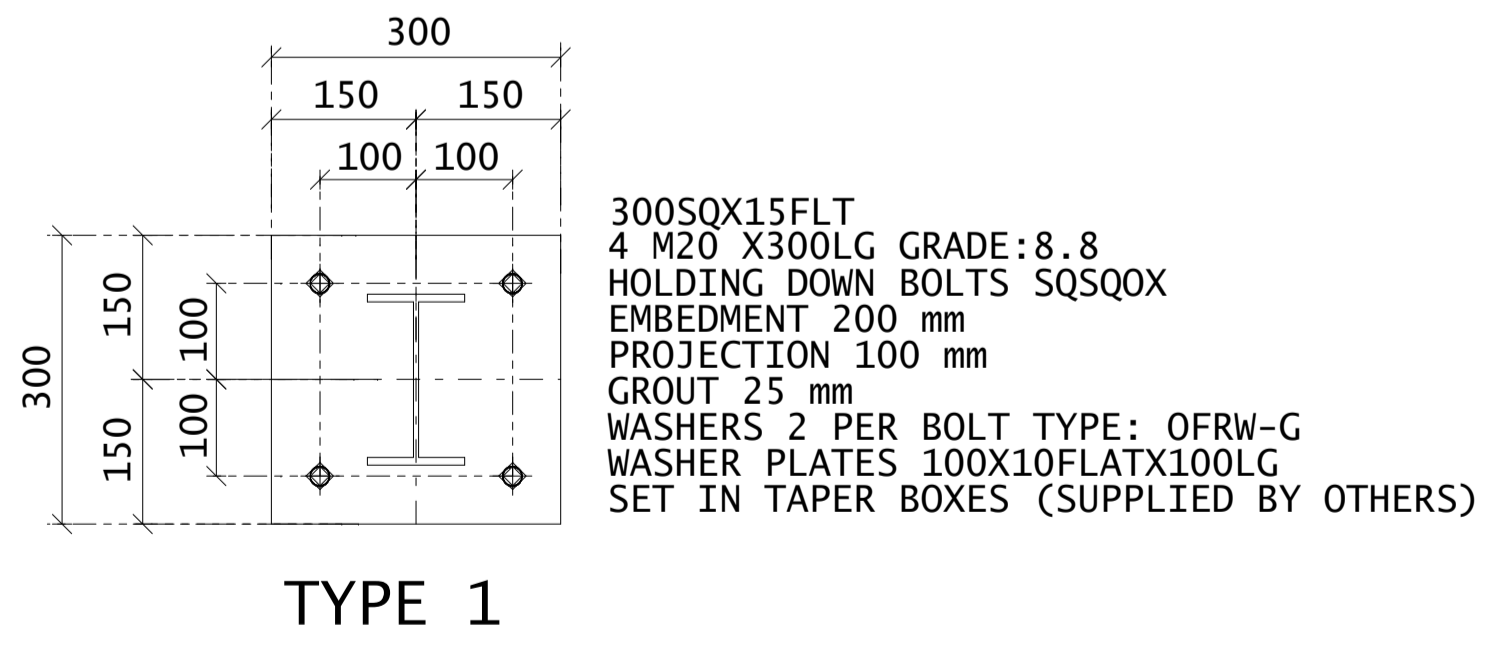
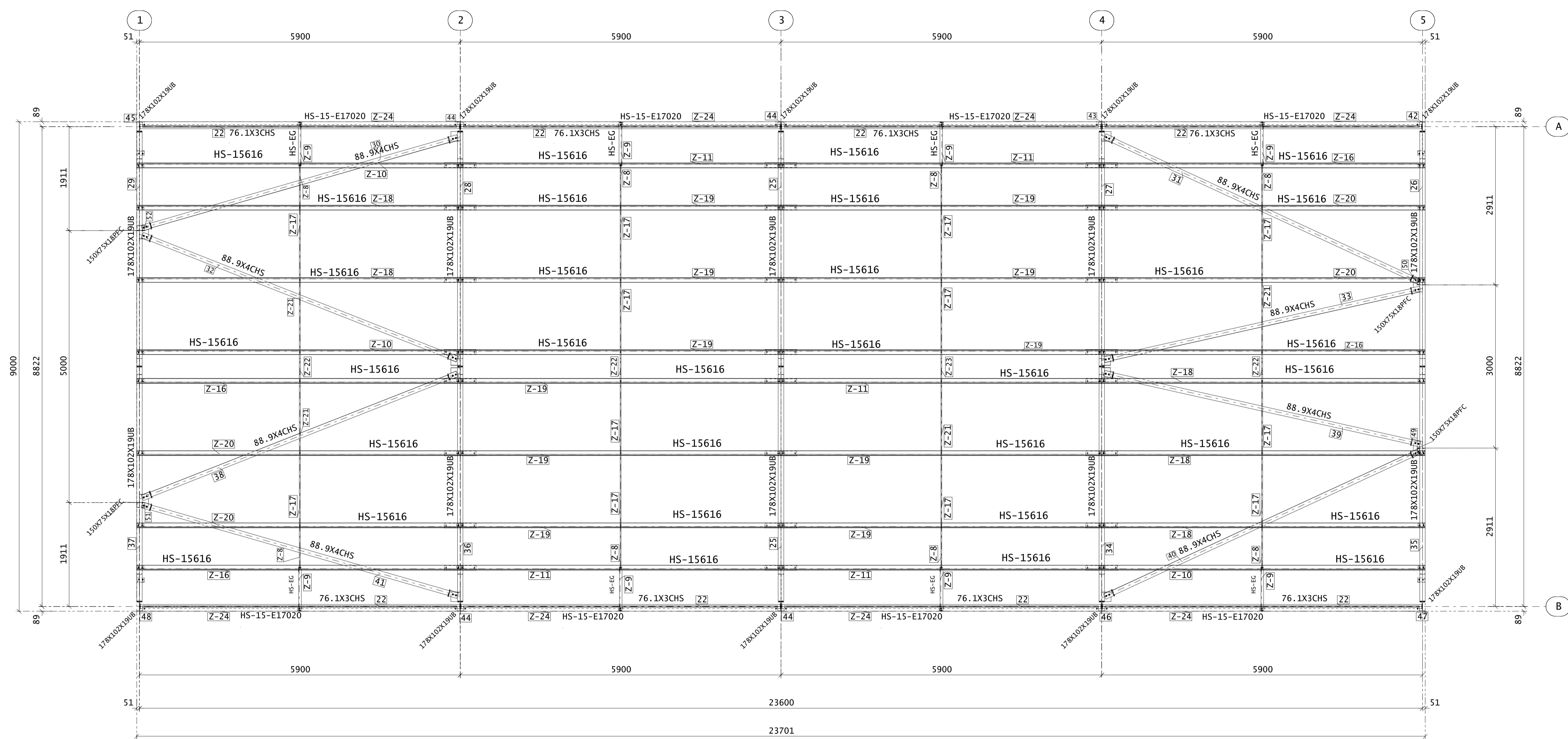


FOUNDATION PLAN



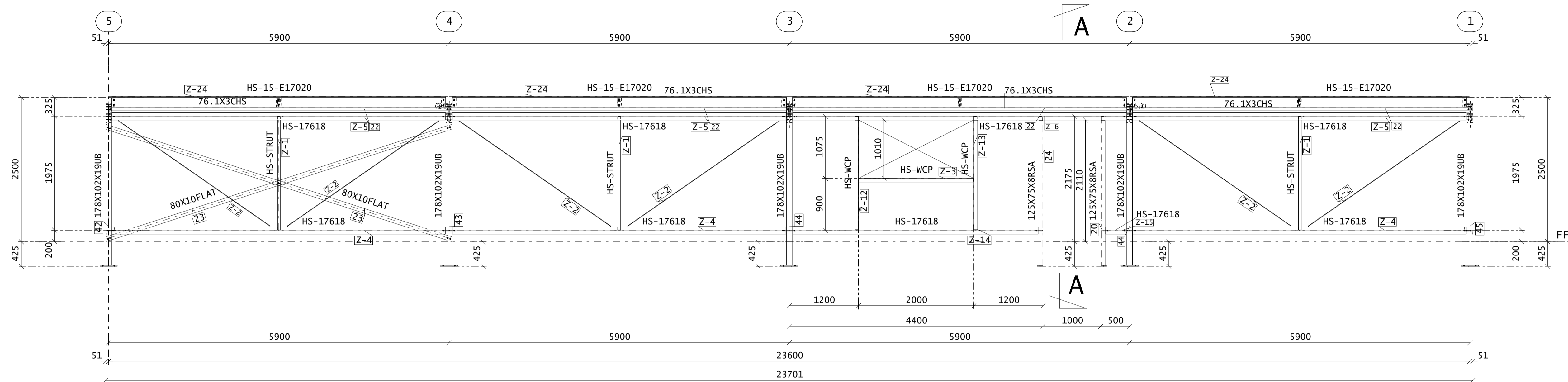
FOUNDATION ELEVATION -450 BELOW FFL

						GENERAL NOTES:			CLIENT MR GUY HUDSON			DRAWN RJD		24/08/20		ROY ALLEN ENGINEERING LTD STRUCTURAL STEELWORK AND CLADDING SPECIALISTS. CE FAIR GREEN, DISS, NORFOLK. IP22 4BG. Te1: 01379 642324 Fax: 01379 640521			
									PROJECT PORTAL FRAME BUILDING			CHECKED							
REV	BY	DATE	DETAILS	REV	BY	DATE	DETAILS	ALL STEELWORK TO BE MANUFACTURED TO EN 1090-2 EXECUTION CLASS 2 EXC2			TITLE WHERRY ROAD, NORWICH			SCALE	JOB No	DWG No.	REV		
														NTS	D53647A	001			

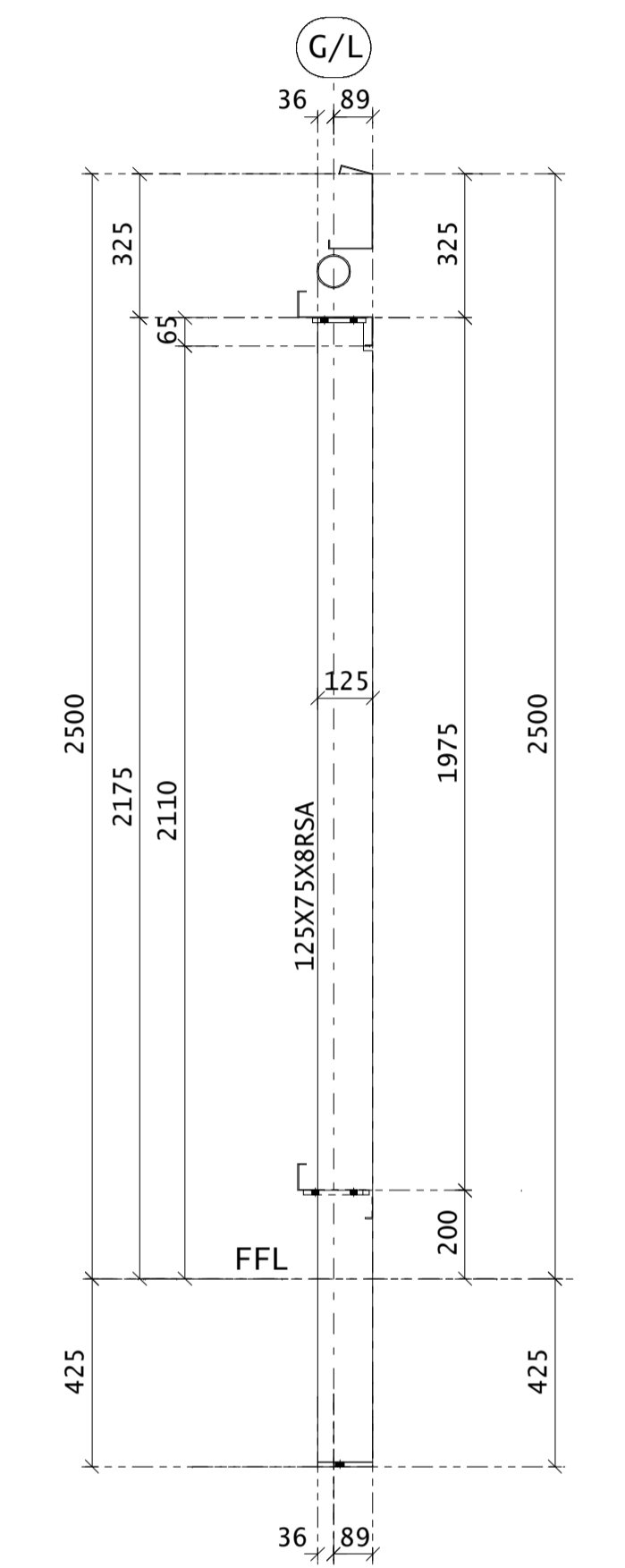


ROOF PLAN

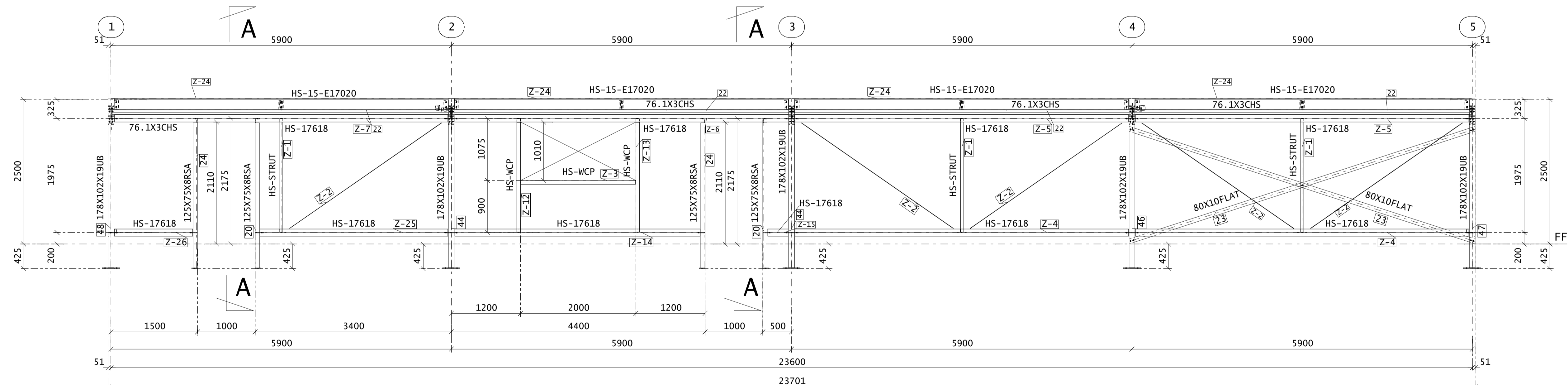
				GENERAL NOTES:				CLIENT MR GUY HUDSON			DRAWN RJD 24/08/20		ROY ALLEN ENGINEERING LTD STRUCTURAL STEELWORK AND CLADDING SPECIALISTS. CE FAIR GREEN, DISS, NORFOLK. IP22 4BG. Tel: 01379 642324 Fax: 01379 640521			
								PROJECT PORTAL FRAME BUILDING			CHECKED					
REV	BY	DATE	DETAILS	REV	BY	DATE	DETAILS	TITLE WHERRY ROAD, NORWICH			SCALE	JOB No	DWG No.	REV		
							ALL STEELWORK TO BE MANUFACTURED TO EN 1090-2 EXECUTION CLASS 2 EXC2				NTS	D53647A	002			



ELEVATION ON G/L A

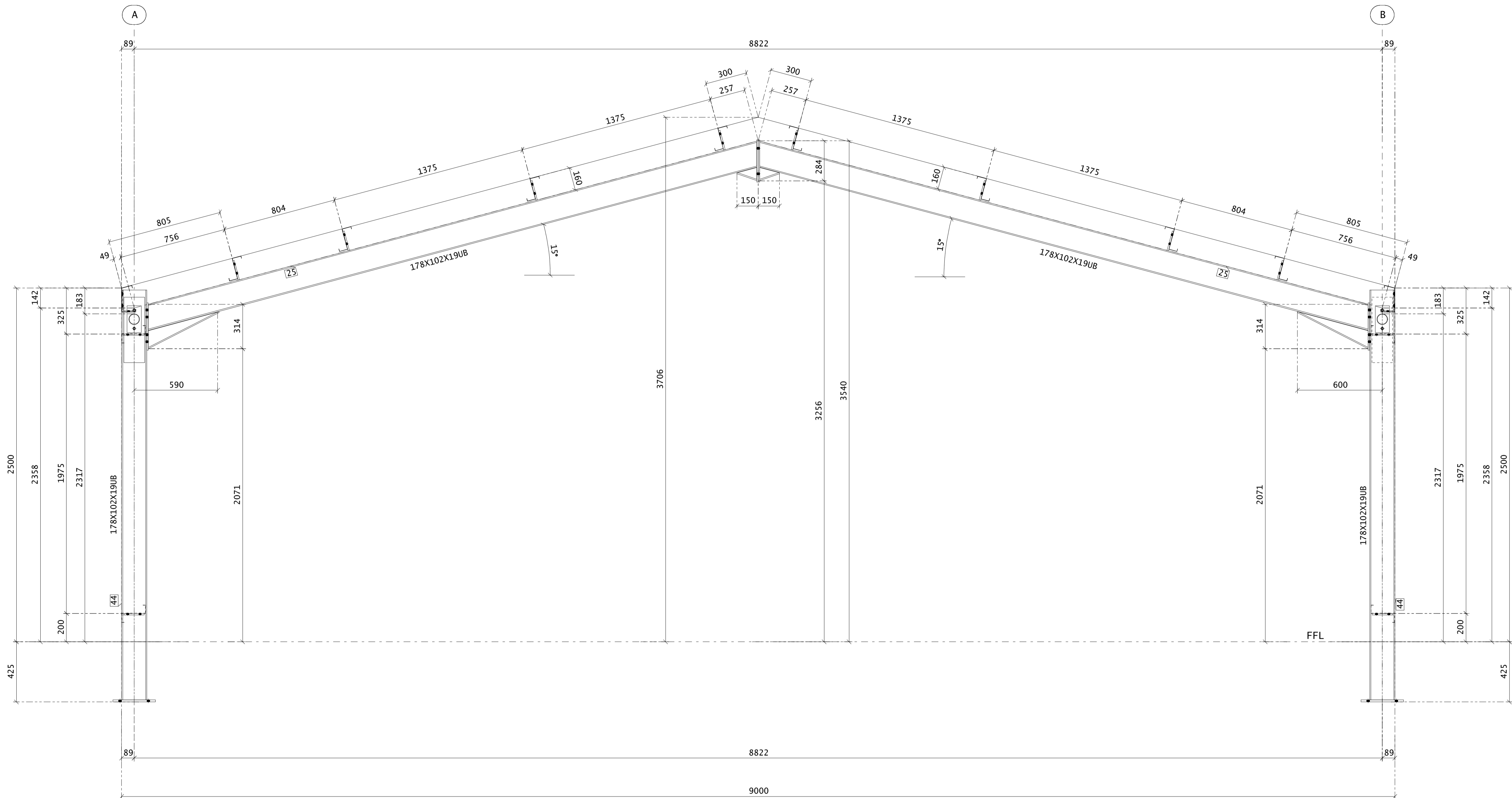


SECTION A-A



ELEVATION ON G/L B

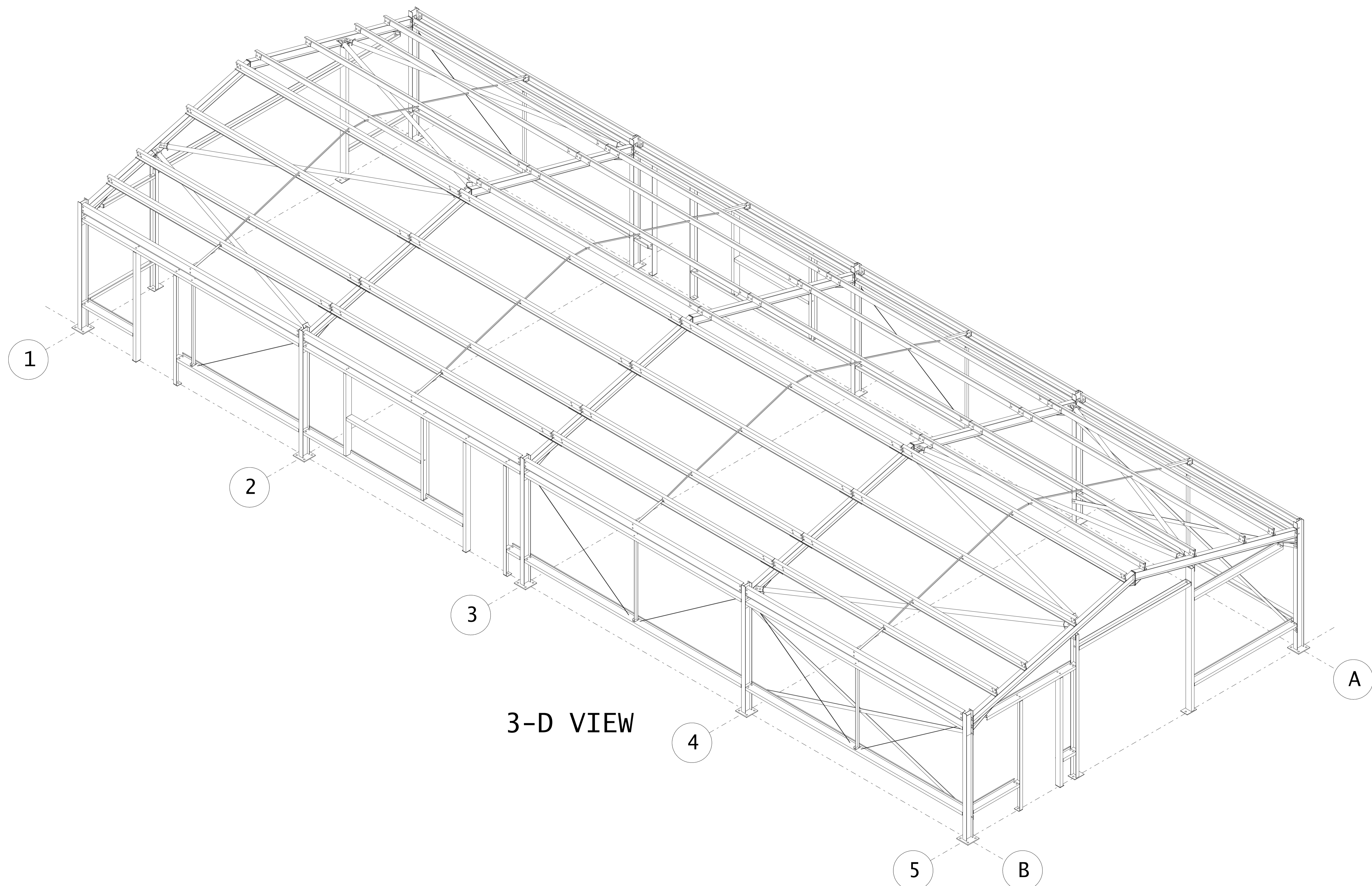
						GENERAL NOTES:			CLIENT MR GUY HUDSON			DRAWN RJD		24/08/20		ROY ALLEN ENGINEERING LTD STRUCTURAL STEELWORK AND CLADDING SPECIALISTS. CE FAIR GREEN, DISS, NORFOLK. IP22 4BG. Te1: 01379 642324 Fax: 01379 640521			
									PROJECT PORTAL FRAME BUILDING			CHECKED							
REV	BY	DATE	DETAILS	REV	BY	DATE	DETAILS	ALL STEELWORK TO BE MANUFACTURED TO EN 1090-2 EXECUTION CLASS 2 EXC2			TITLE WHERRY ROAD, NORWICH			SCALE	JOB No	DWG No.	REV		
														NTS	D53647A	003			




SECTION ON G/L 3

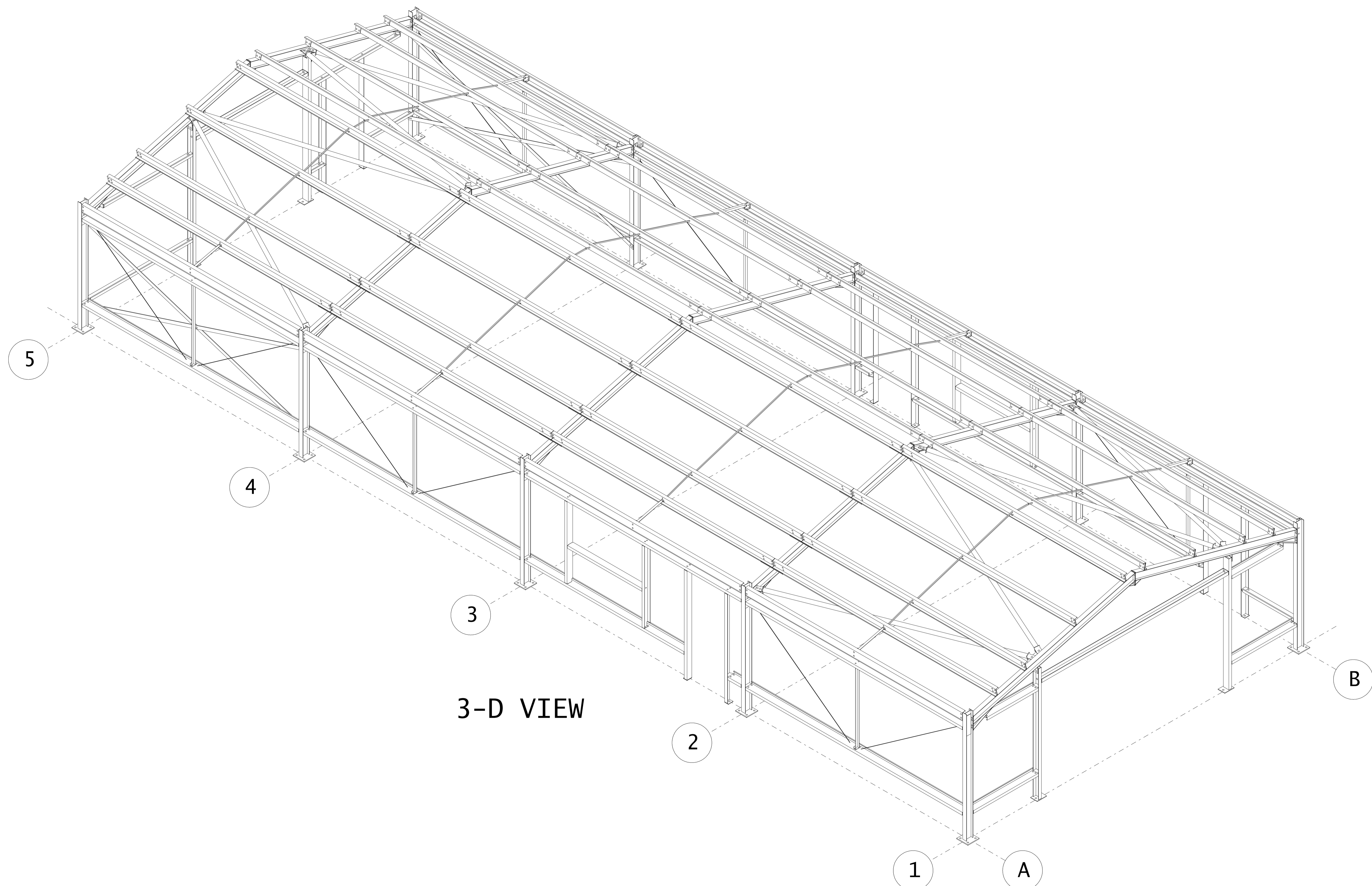
				GENERAL NOTES:				CLIENT MR GUY HUDSON			DRAWN RJD 24/08/20			ROY ALLEN ENGINEERING LTD STRUCTURAL STEELWORK AND CLADDING SPECIALISTS. FAIR GREEN, DISS, NORFOLK. IP22 4BG. Te1: 01379 642324 Fax: 01379 640521				
								PROJECT PORTAL FRAME BUILDING			CHECKED							
REV	BY	DATE	DETAILS	REV	BY	DATE	DETAILS	TITLE WHERRY ROAD, NORWICH			SCALE NTS			JOB No D53647A		DWG No. 005		REV
								ALL STEELWORK TO BE MANUFACTURED TO EN 1090-2 EXECUTION CLASS 2 EXC2										





3-D VIEW

						GENERAL NOTES:			CLIENT MR GUY HUDSON			DRAWN RJD 24/08/20		ROY ALLEN ENGINEERING LTD STRUCTURAL STEELWORK AND CLADDING SPECIALISTS. FAIR GREEN, DISS, NORFOLK. IP22 4BG. Te1: 01379 642324 Fax: 01379 640521			
									PROJECT PORTAL FRAME BUILDING			CHECKED					
REV	BY	DATE	DETAILS	REV	BY	DATE	DETAILS	ALL STEELWORK TO BE MANUFACTURED TO EN 1090-2 EXECUTION CLASS 2 EXC2			TITLE WHERRY ROAD, NORWICH			SCALE	JOB No	DWG No.	REV
														NTS	D53647A	006	



3-D VIEW

						GENERAL NOTES:			CLIENT MR GUY HUDSON			DRAWN	RJD	24/08/20	ROY ALLEN ENGINEERING LTD STRUCTURAL STEELWORK AND CLADDING SPECIALISTS. FAIR GREEN, DISS, NORFOLK. IP22 4BG. Te1: 01379 642324 Fax: 01379 640521				
									PROJECT PORTAL FRAME BUILDING			CHECKED							
									TITLE WHERRY ROAD, NORWICH						SCALE	JOB No	DWG No.	REV	
REV	BY	DATE	DETAILS			REV	BY	DATE	DETAILS						NTS	D53647A	007		

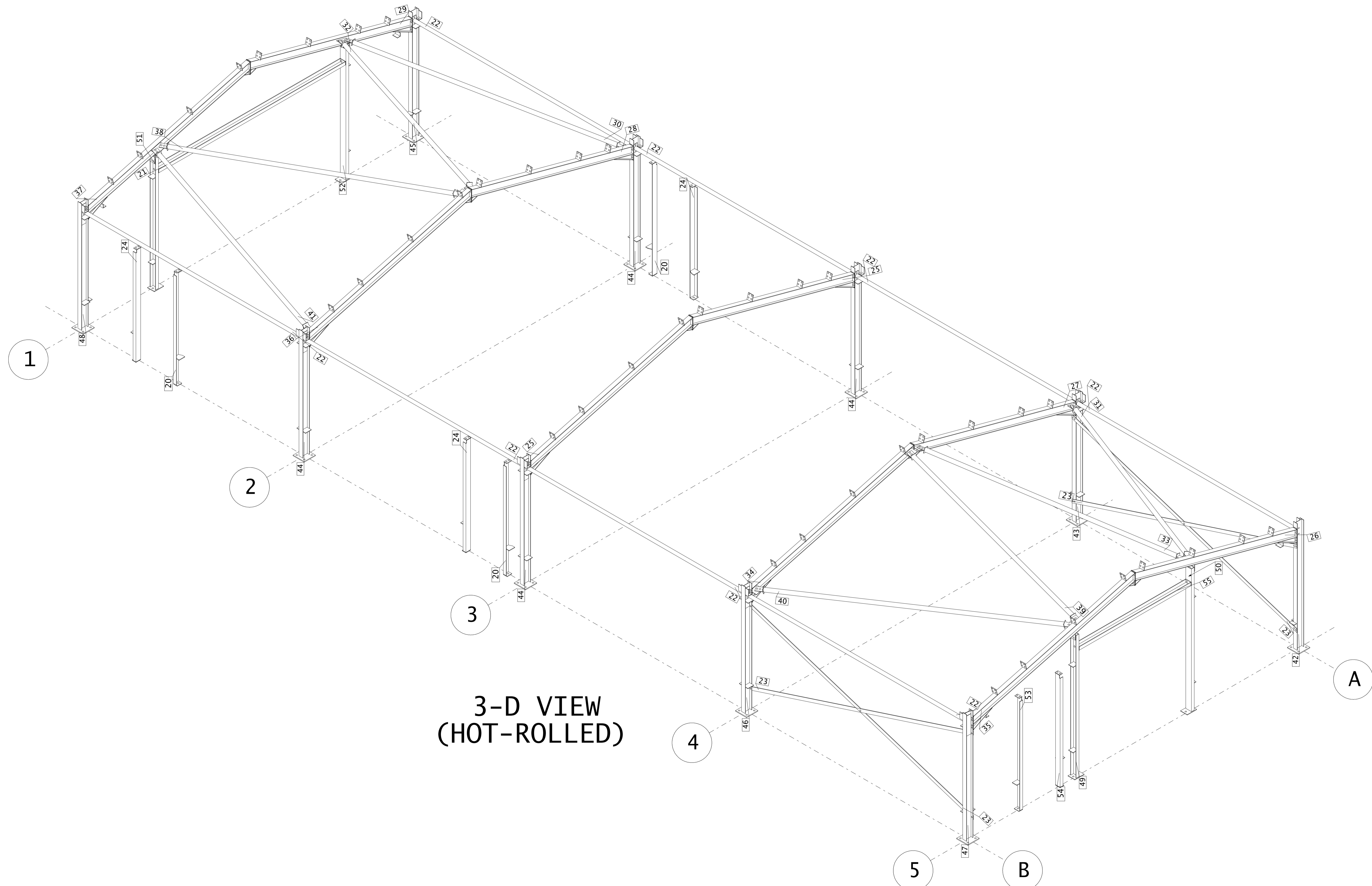
ALL STEELWORK TO BE MANUFACTURED TO EN 1090-2 EXECUTION CLASS 2 EXC2

TITLE
WHERRY ROAD, NORWICH

DRAWN RJD 24/08/20
CHECKED

ROY ALLEN ENGINEERING LTD
STRUCTURAL STEELWORK AND CLADDING SPECIALISTS.
FAIR GREEN, DISS, NORFOLK. IP22 4BG.
Te1: 01379 642324 Fax: 01379 640521

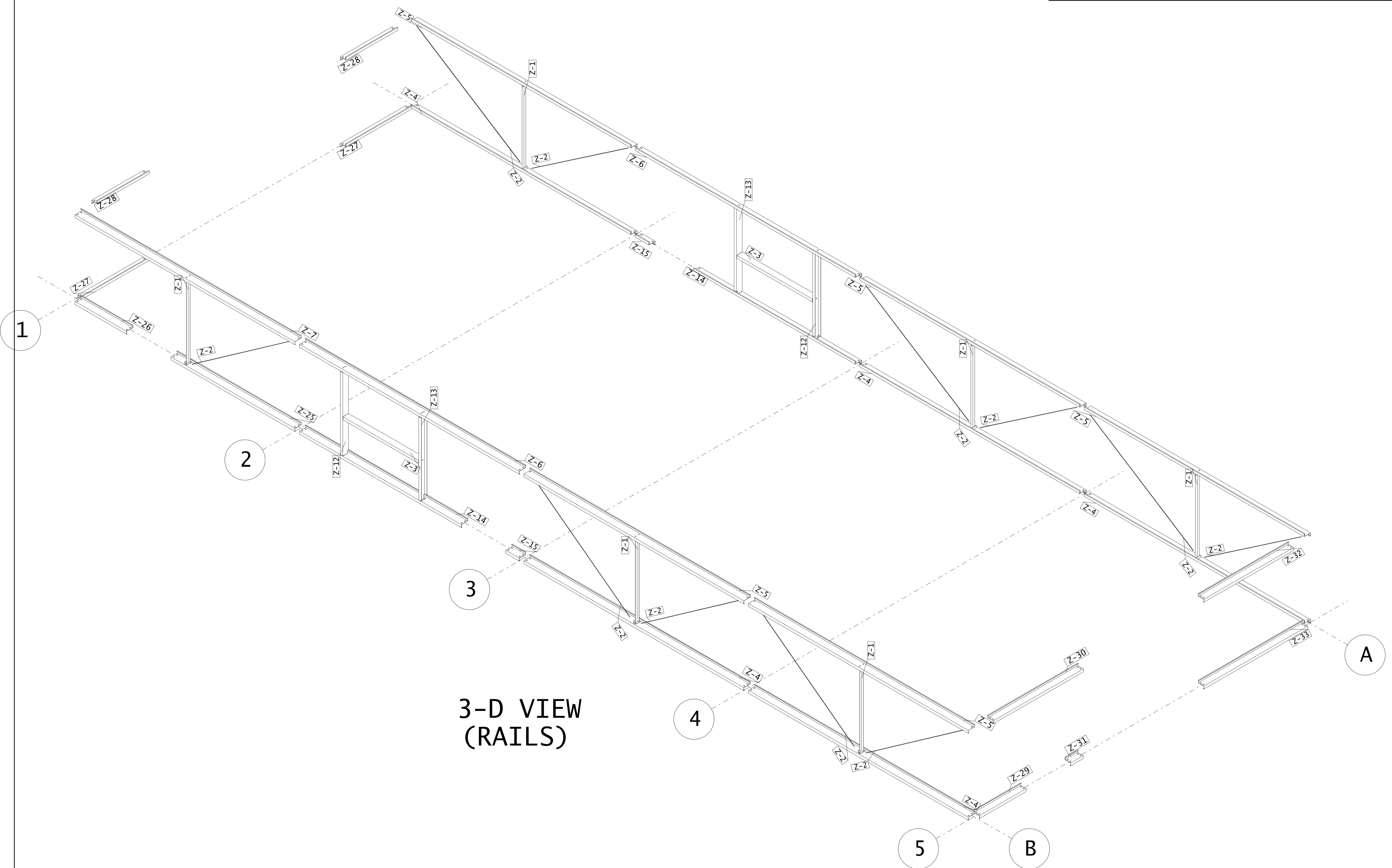
SCALE: NTS
JOB No: D53647A
DWG No.: 007
REV:



3-D VIEW
(HOT-ROLLED)

						GENERAL NOTES:			CLIENT MR GUY HUDSON			DRAWN RJD		24/08/20		ROY ALLEN ENGINEERING LTD STRUCTURAL STEELWORK AND CLADDING SPECIALISTS. FAIR GREEN, DISS, NORFOLK. IP22 4BG. Te1: 01379 642324 Fax: 01379 640521			
									PROJECT PORTAL FRAME BUILDING			CHECKED							
									TITLE WHERRY ROAD, NORWICH							SCALE	JOB No	DWG No.	REV
REV	BY	DATE	DETAILS	REV	BY	DATE	DETAILS	ALL STEELWORK TO BE MANUFACTURED TO EN 1090-2 EXECUTION CLASS 2 EXC2							NTS	D53647A	008		





3-D VIEW
(RAILS)

REV	BY	DATE	DETAILS	REV	BY	DATE	DETAILS

GENERAL NOTES:

ALL STEELWORK TO BE MANUFACTURED TO EN 1090-2 EXECUTION CLASS 2 EXC2

CLIENT
MR GUY HUDSON

PROJECT
PORTAL FRAME BUILDING

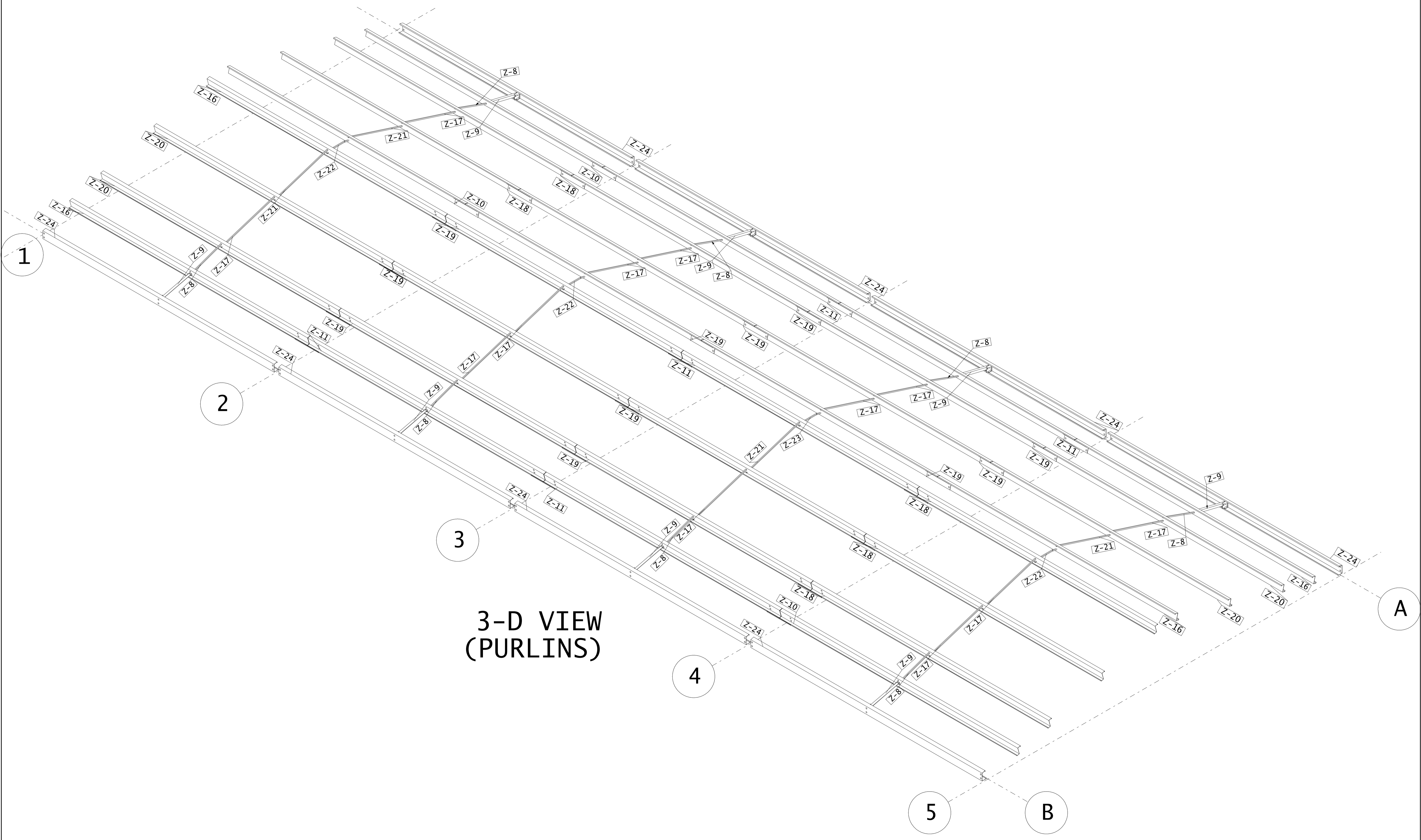
TITLE
WHERRY ROAD, NORWICH

DRAWN	RJD	24/08/20
CHECKED		

ROY ALLEN ENGINEERING LTD
STRUCTURAL STEELWORK AND CLADDING SPECIALISTS.
FAIR GREEN, DISS, NORFOLK. IP22 4BG.
Tel: 01379 642324 Fax: 01379 640521

SCALE: NTS JOB No: D53647A DWG No.: 009 REV:

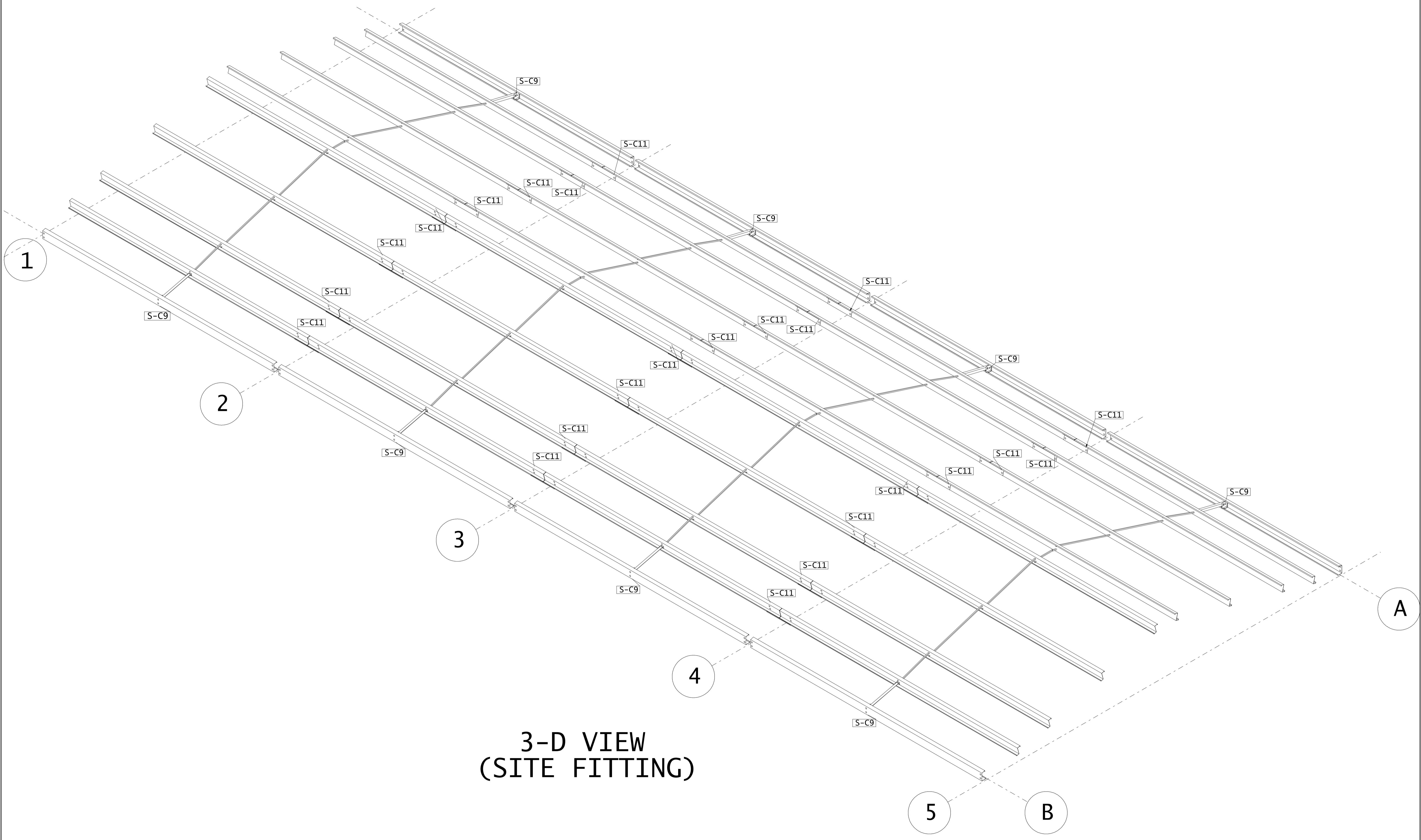





3-D VIEW
(PURLINS)

						GENERAL NOTES:			CLIENT MR GUY HUDSON			DRAWN RJD 24/08/20		ROY ALLEN ENGINEERING LTD STRUCTURAL STEELWORK AND CLADDING SPECIALISTS. FAIR GREEN, DISS, NORFOLK. IP22 4BG. Te1: 01379 642324 Fax: 01379 640521			
									PROJECT PORTAL FRAME BUILDING			CHECKED					
REV	BY	DATE	DETAILS	REV	BY	DATE	DETAILS	TITLE WHERRY ROAD, NORWICH					SCALE	JOB No	DWG No.	REV	
								ALL STEELWORK TO BE MANUFACTURED TO EN 1090-2 EXECUTION CLASS 2 EXC2					NTS	D53647A	010		





3-D VIEW
(SITE FITTING)

						GENERAL NOTES:			CLIENT MR GUY HUDSON			DRAWN RJD 24/08/20		ROY ALLEN ENGINEERING LTD STRUCTURAL STEELWORK AND CLADDING SPECIALISTS. FAIR GREEN, DISS, NORFOLK. IP22 4BG. Te1: 01379 642324 Fax: 01379 640521			
									PROJECT PORTAL FRAME BUILDING			CHECKED					
REV	BY	DATE	DETAILS	REV	BY	DATE	DETAILS	ALL STEELWORK TO BE MANUFACTURED TO EN 1090-2 EXECUTION CLASS 2 EXC2			TITLE WHERRY ROAD, NORWICH			SCALE	JOB No	DWG No.	REV
														NTS	D53647A	011	