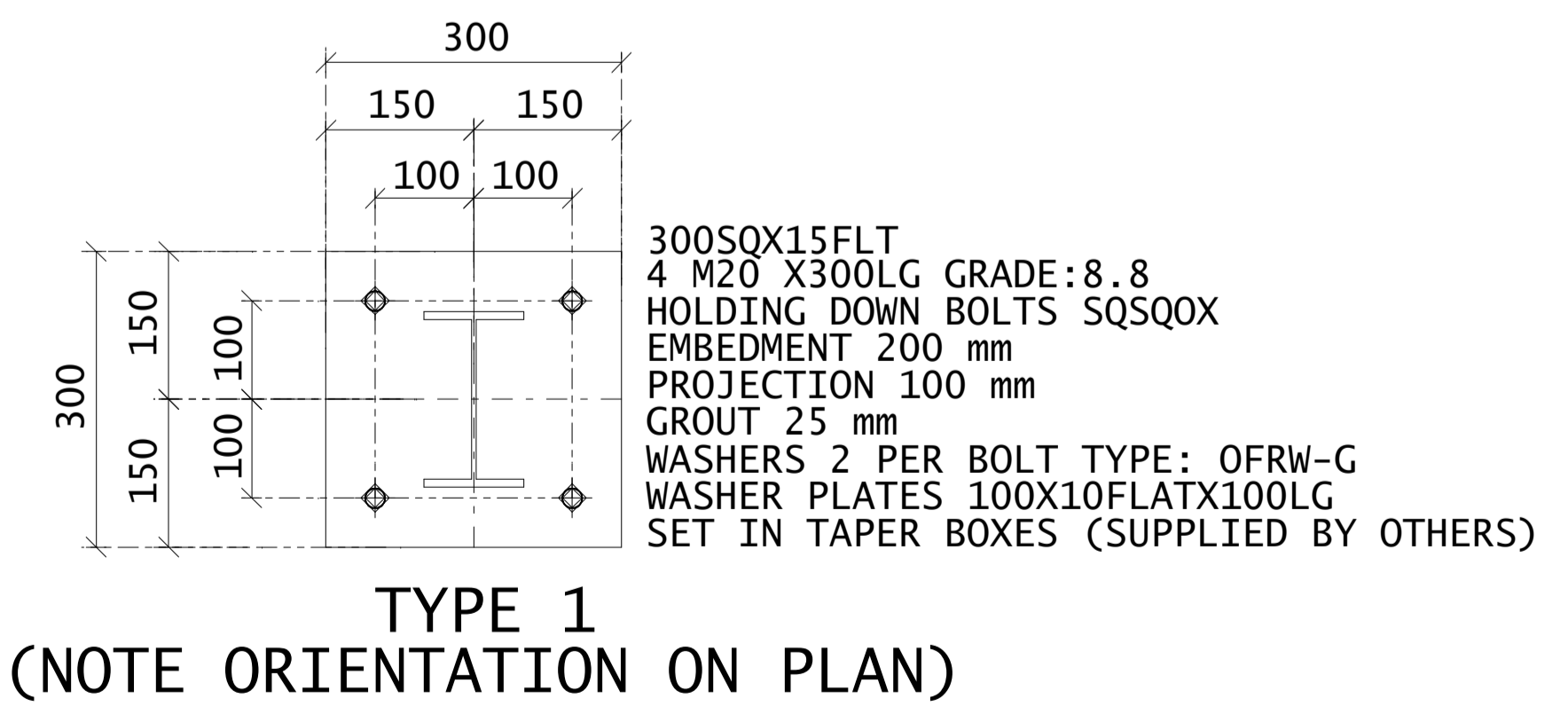
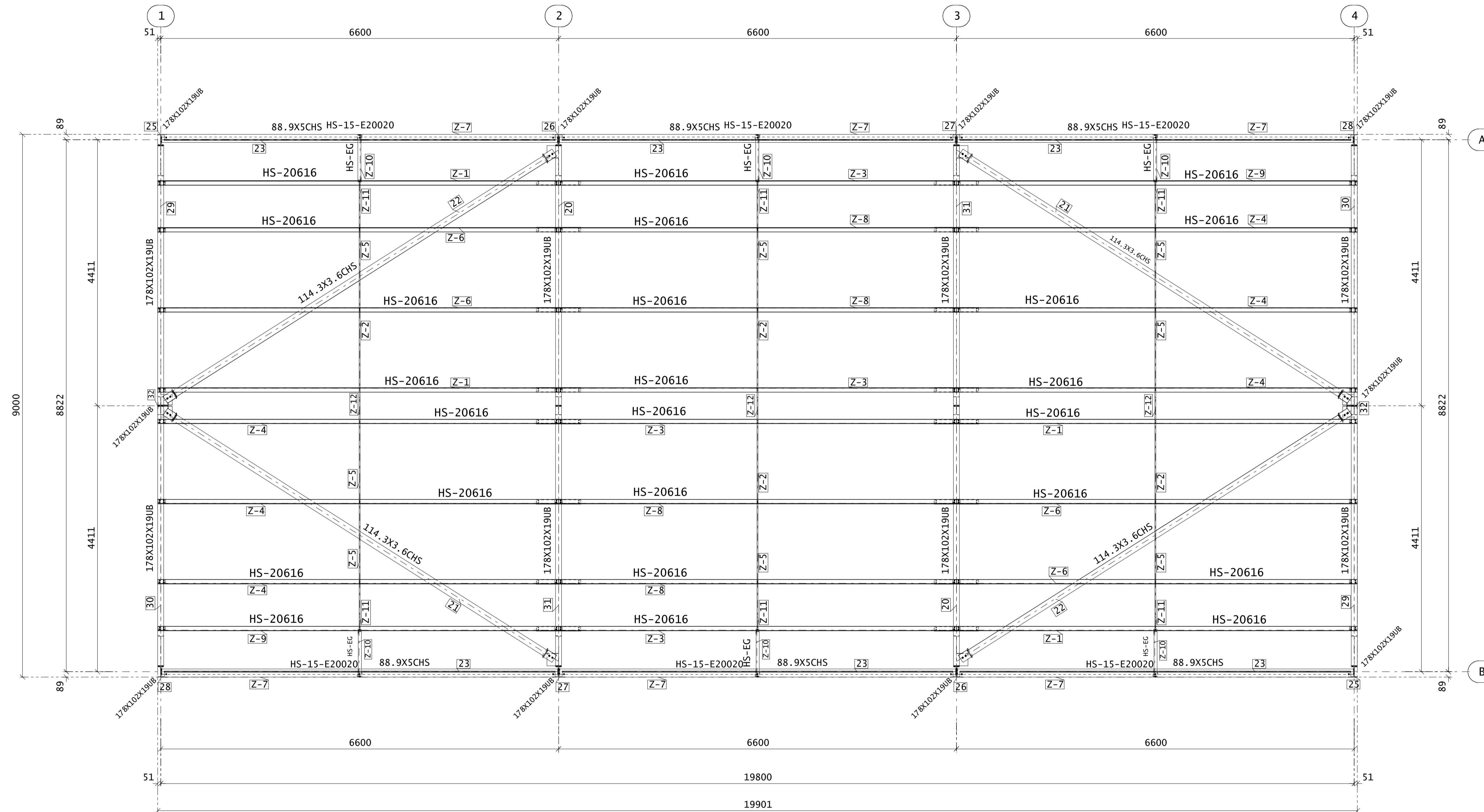


FOUNDATION PLAN



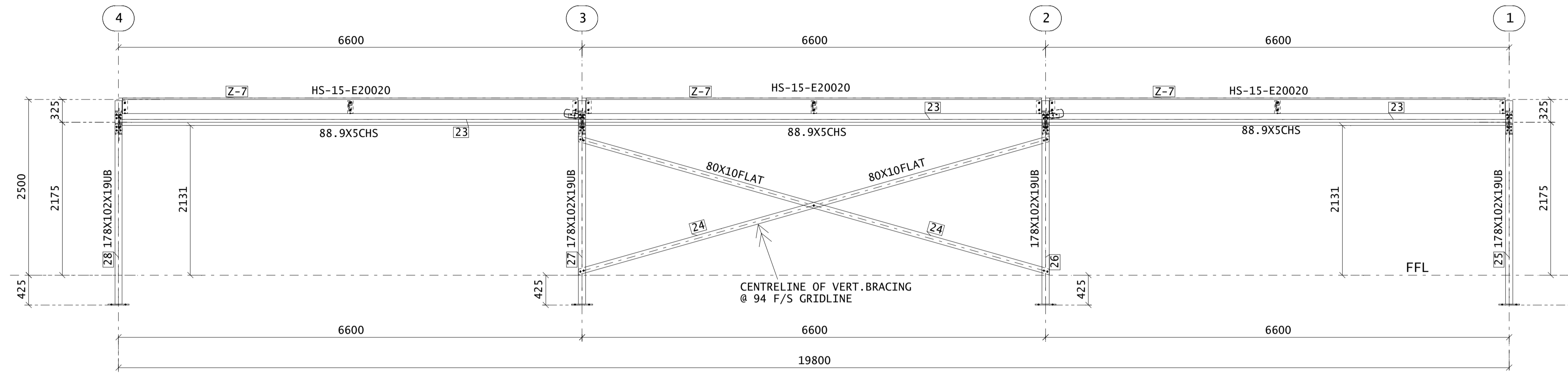
FOUNDATION ELEVATION -450 BELOW FFL

				GENERAL NOTES:				CLIENT MR GUY HUDSON			DRAWN RJD 24/08/20		ROY ALLEN ENGINEERING LTD STRUCTURAL STEELWORK AND CLADDING SPECIALISTS. CE FAIR GREEN, DISS, NORFOLK. IP22 4BG. Te1: 01379 642324 Fax: 01379 640521		
								PROJECT REPLACEMENT AGRICULTURAL BUILDING			CHECKED				
REV	BY	DATE	DETAILS	REV	BY	DATE	DETAILS	TITLE WHERRY ROAD, NORWICH			SCALE	JOB No	DWG No.	REV	
								ALL STEELWORK TO BE MANUFACTURED TO EN 1090-2 EXECUTION CLASS 2 EXC2			NTS	D53647B	001		

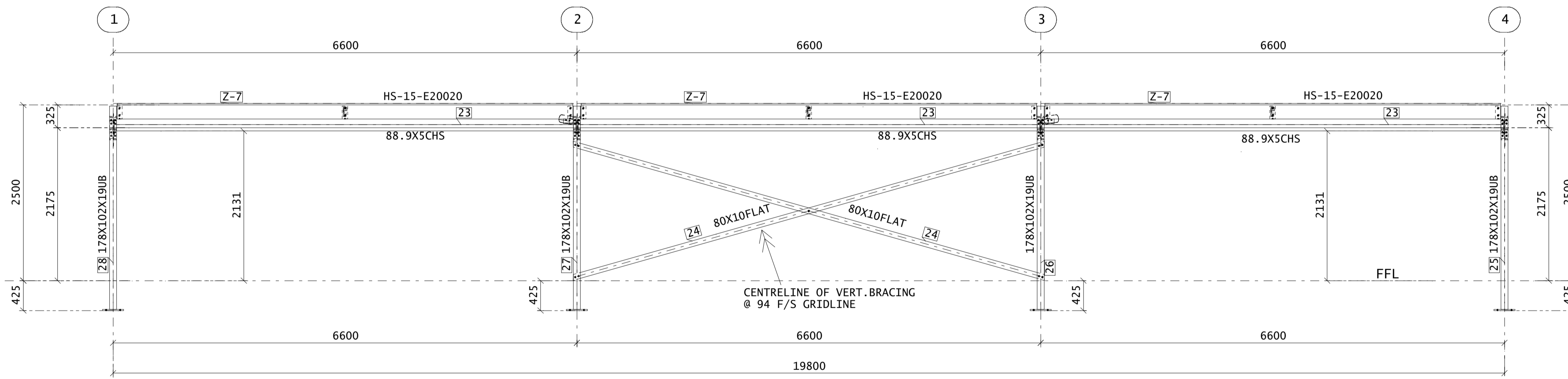


ROOF PLAN

						GENERAL NOTES:			CLIENT MR GUY HUDSON			DRAWN RJD 24/08/20		ROY ALLEN ENGINEERING LTD STRUCTURAL STEELWORK AND CLADDING SPECIALISTS. FAIR GREEN, DISS, NORFOLK. IP22 4BG. Te1: 01379 642324 Fax: 01379 640521			
									PROJECT REPLACEMENT AGRICULTURAL BUILDING			CHECKED					
REV	BY	DATE	DETAILS	REV	BY	DATE	DETAILS	ALL STEELWORK TO BE MANUFACTURED TO EN 1090-2 EXECUTION CLASS 2 EXC2			TITLE WHERRY ROAD, NORWICH			SCALE NTS	JOB No D53647B	DWG No. 002	REV

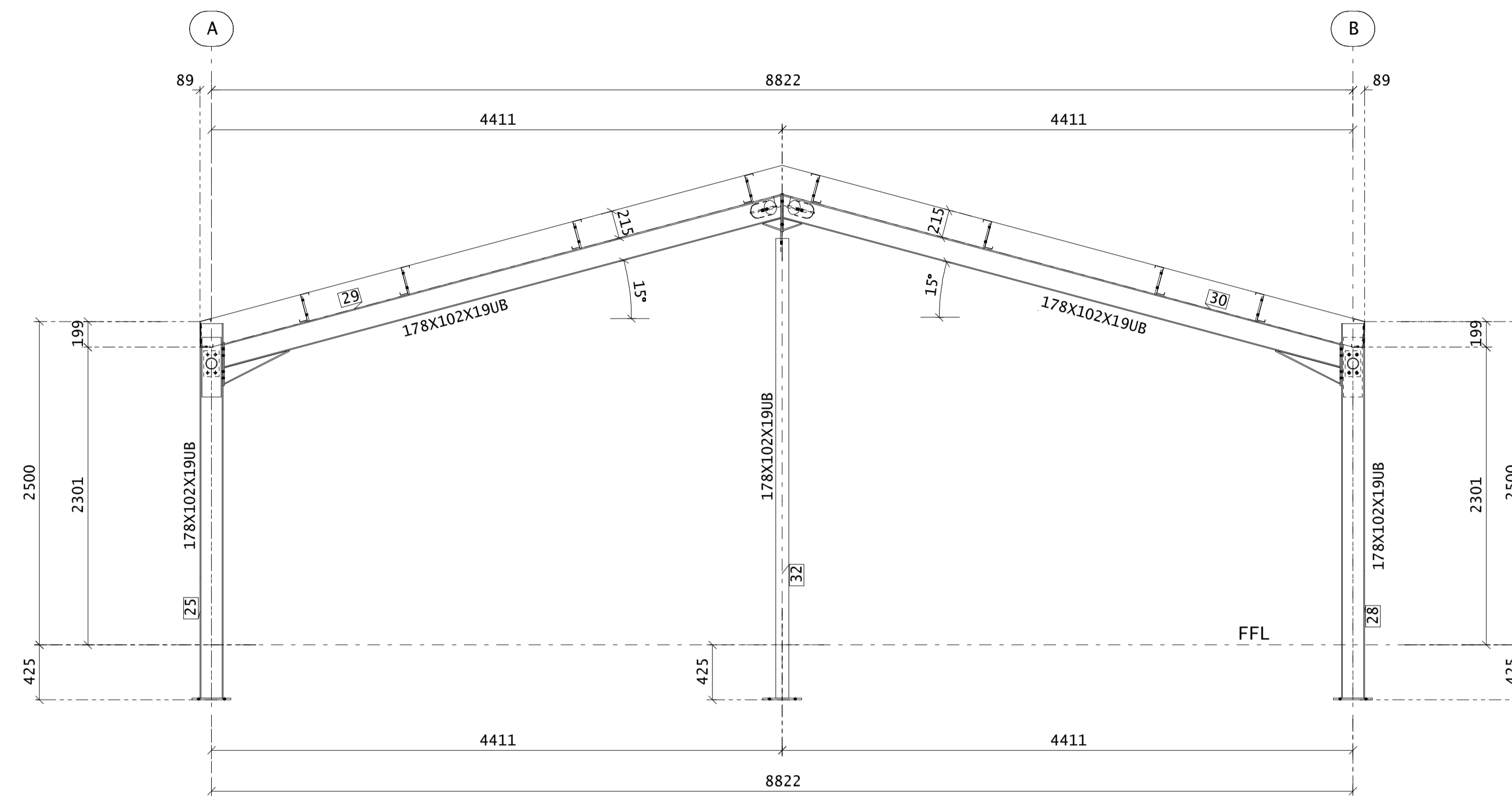


ELEVATION ON G/L A

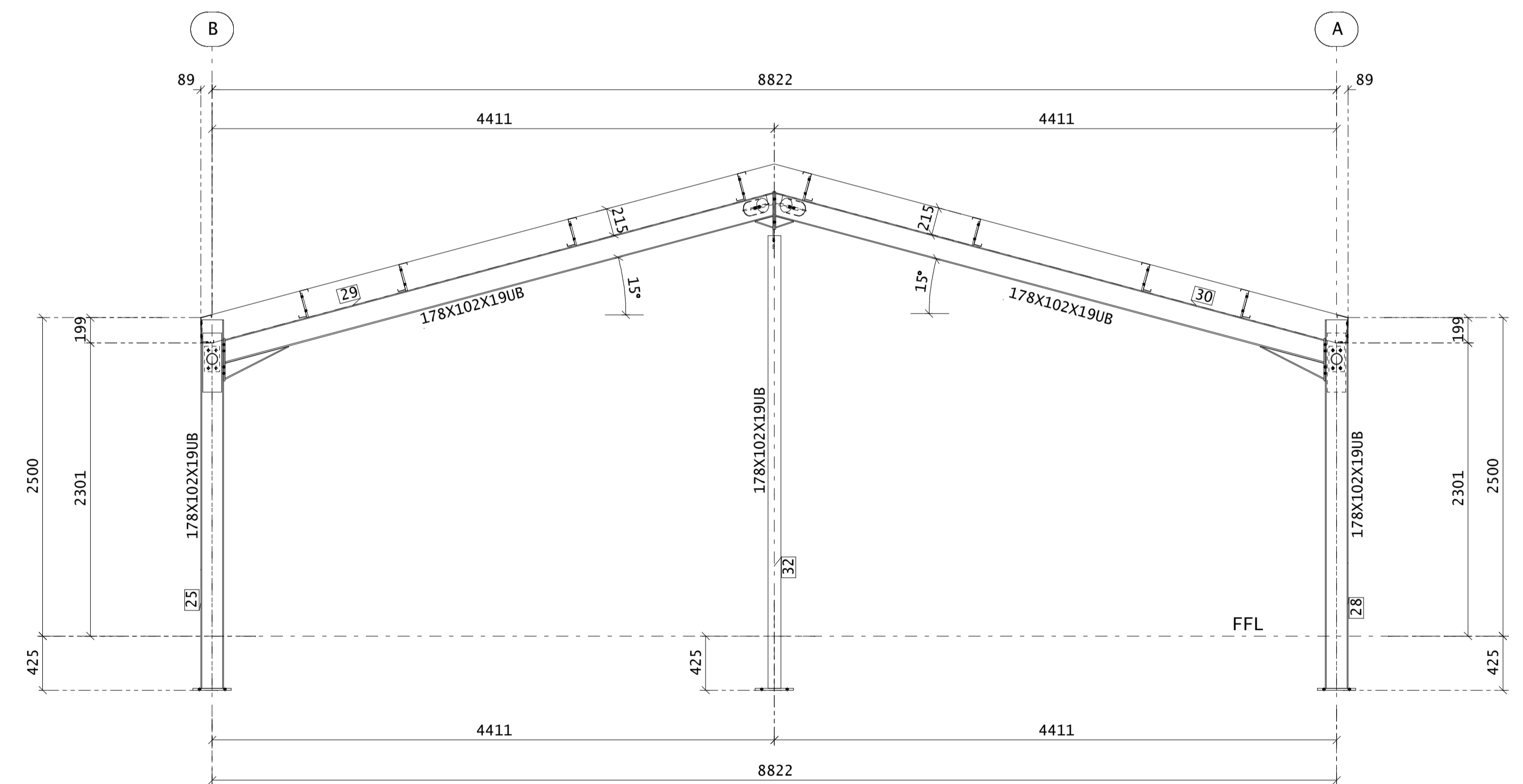


ELEVATION ON G/L B

						GENERAL NOTES:			CLIENT MR GUY HUDSON			DRAWN RJD 24/08/20		ROY ALLEN ENGINEERING LTD STRUCTURAL STEELWORK AND CLADDING SPECIALISTS. FAIR GREEN, DISS, NORFOLK. IP22 4BG. Te1: 01379 642324 Fax: 01379 640521			
									PROJECT REPLACEMENT AGRICULTURAL BUILDING			CHECKED					
REV	BY	DATE	DETAILS	REV	BY	DATE	DETAILS	ALL STEELWORK TO BE MANUFACTURED TO EN 1090-2 EXECUTION CLASS 2 EXC2			TITLE WHERRY ROAD, NORWICH			SCALE	JOB No	DWG No.	REV
														NTS	D53647B	003	

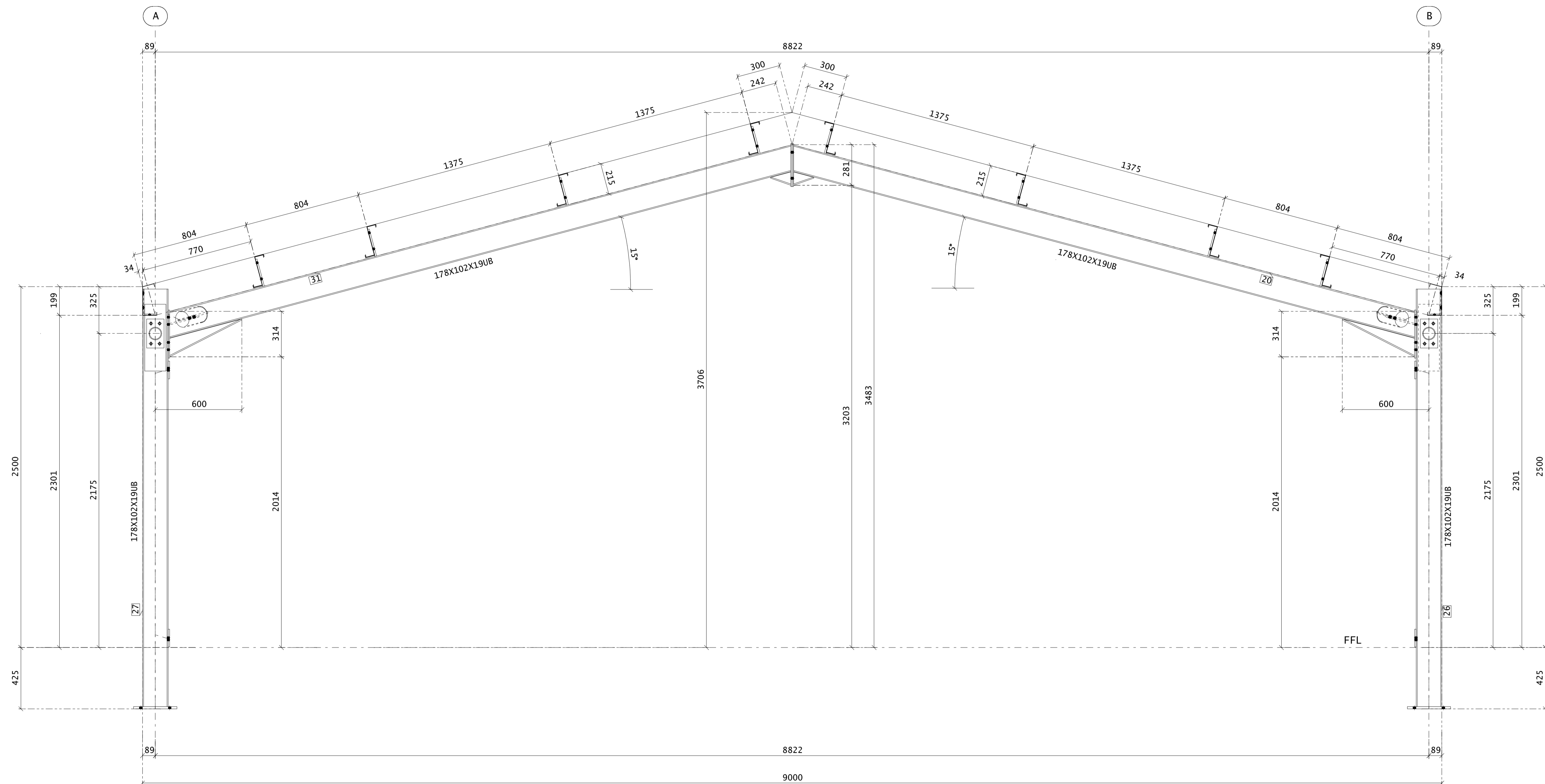


ELEVATION ON G/L 1



ELEVATION ON G/L 4

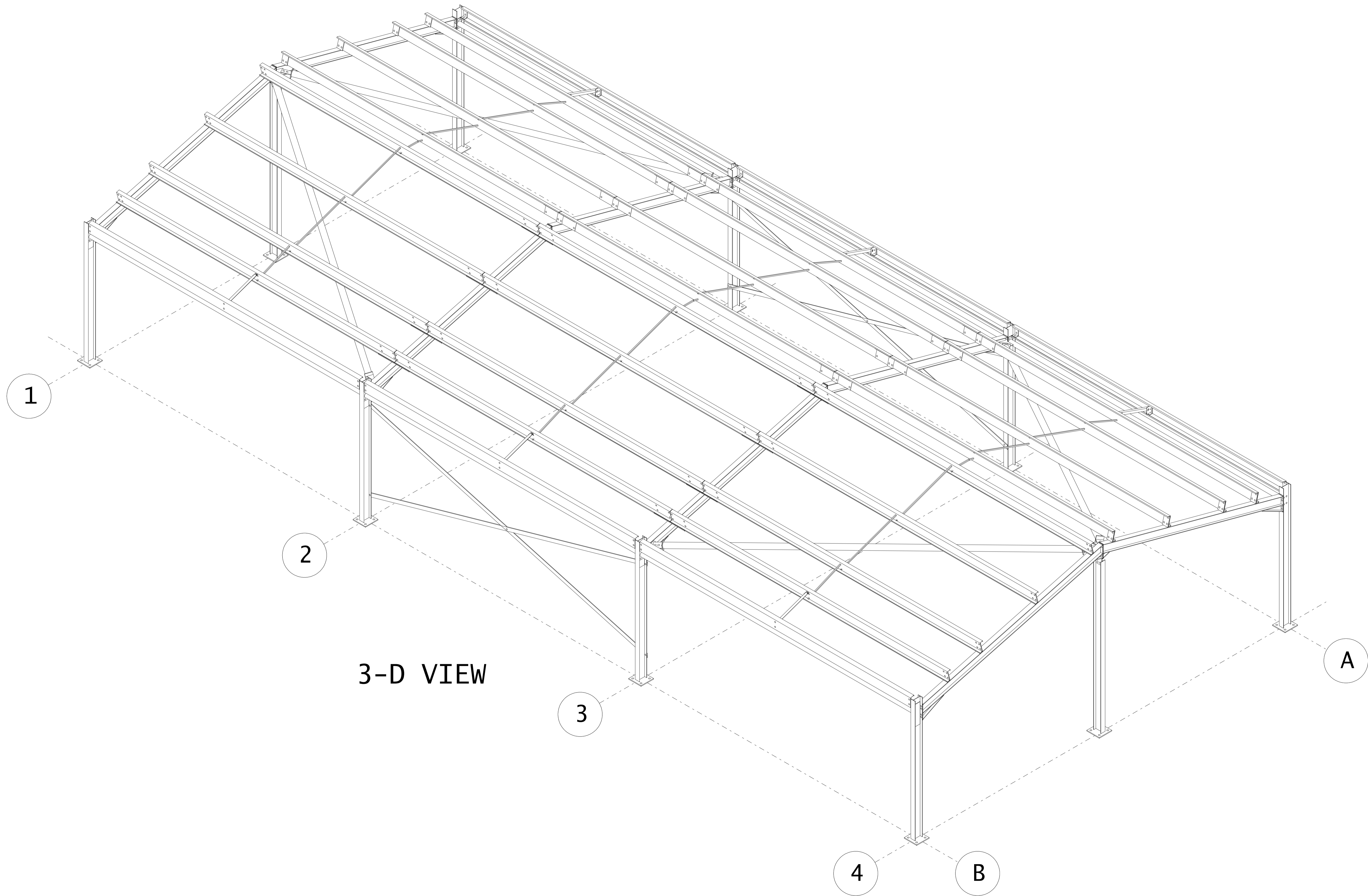
						GENERAL NOTES:		CLIENT MR GUY HUDSON			DRAWN RJD 24/08/20		ROY ALLEN ENGINEERING LTD STRUCTURAL STEELWORK AND CLADDING SPECIALISTS. CE FAIR GREEN, DISS, NORFOLK. IP22 4BG. Te1: 01379 642324 Fax: 01379 640521			
								PROJECT REPLACEMENT AGRICULTURAL BUILDING			CHECKED					
REV	BY	DATE	DETAILS	REV	BY	DATE	DETAILS	ALL STEELWORK TO BE MANUFACTURED TO EN 1090-2 EXECUTION CLASS 2 EXC2			TITLE WHERRY ROAD, NORWICH		NTS	D53647B	004	




SECTION ON G/L 3

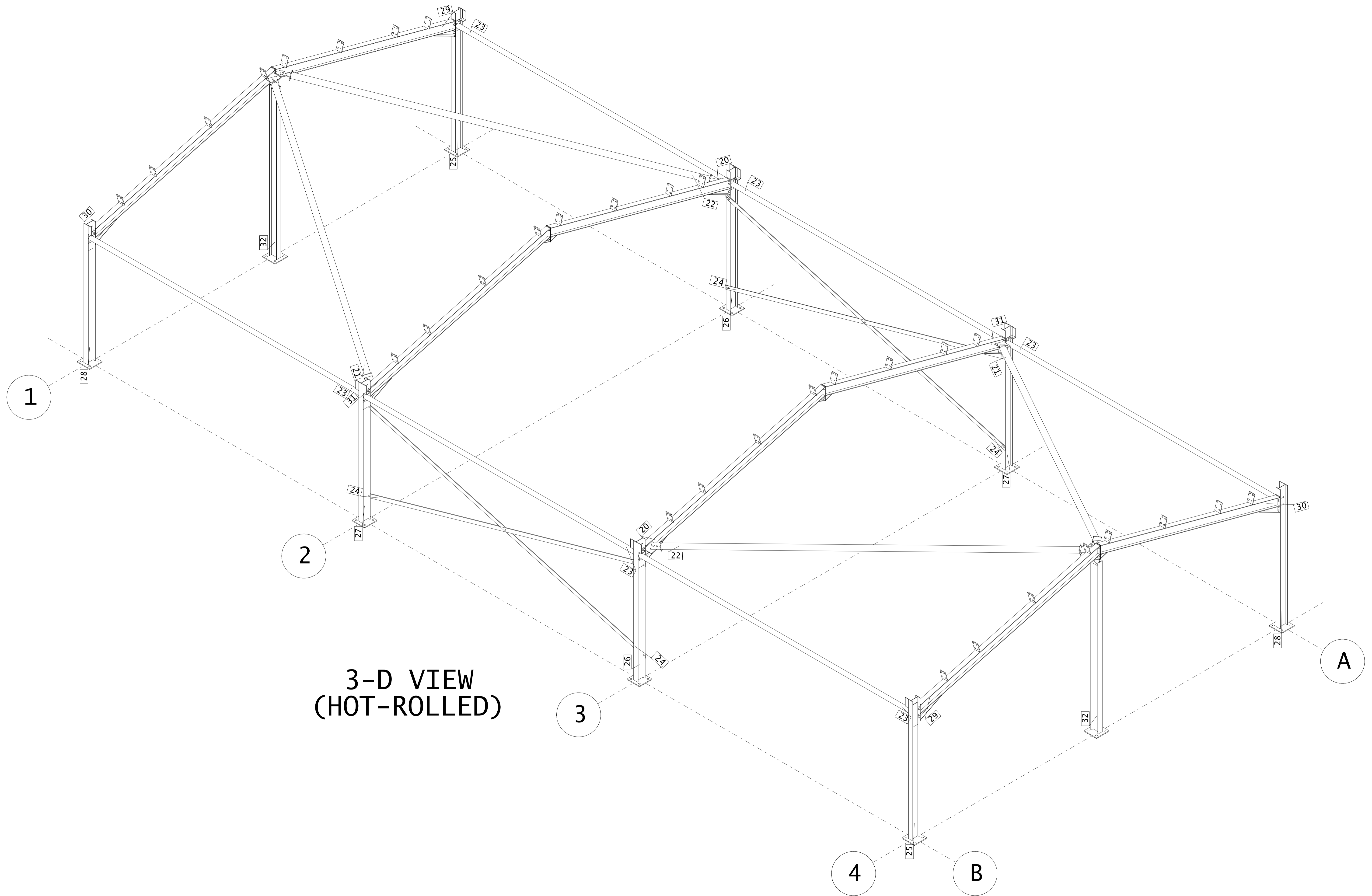
						GENERAL NOTES:		CLIENT MR GUY HUDSON			DRAWN RJD 24/08/20		ROY ALLEN ENGINEERING LTD STRUCTURAL STEELWORK AND CLADDING SPECIALISTS. FAIR GREEN, DISS, NORFOLK. IP22 4BG. Te1: 01379 642324 Fax: 01379 640521				
								PROJECT REPLACEMENT AGRICULTURAL BUILDING			CHECKED						
								TITLE WHERRY ROAD, NORWICH			SCALE NTS		JOB No D53647B		DWG No. 005		REV
REV	BY	DATE	DETAILS	REV	BY	DATE	DETAILS	ALL STEELWORK TO BE MANUFACTURED TO EN 1090-2 EXECUTION CLASS 2 EXC2									





3-D VIEW

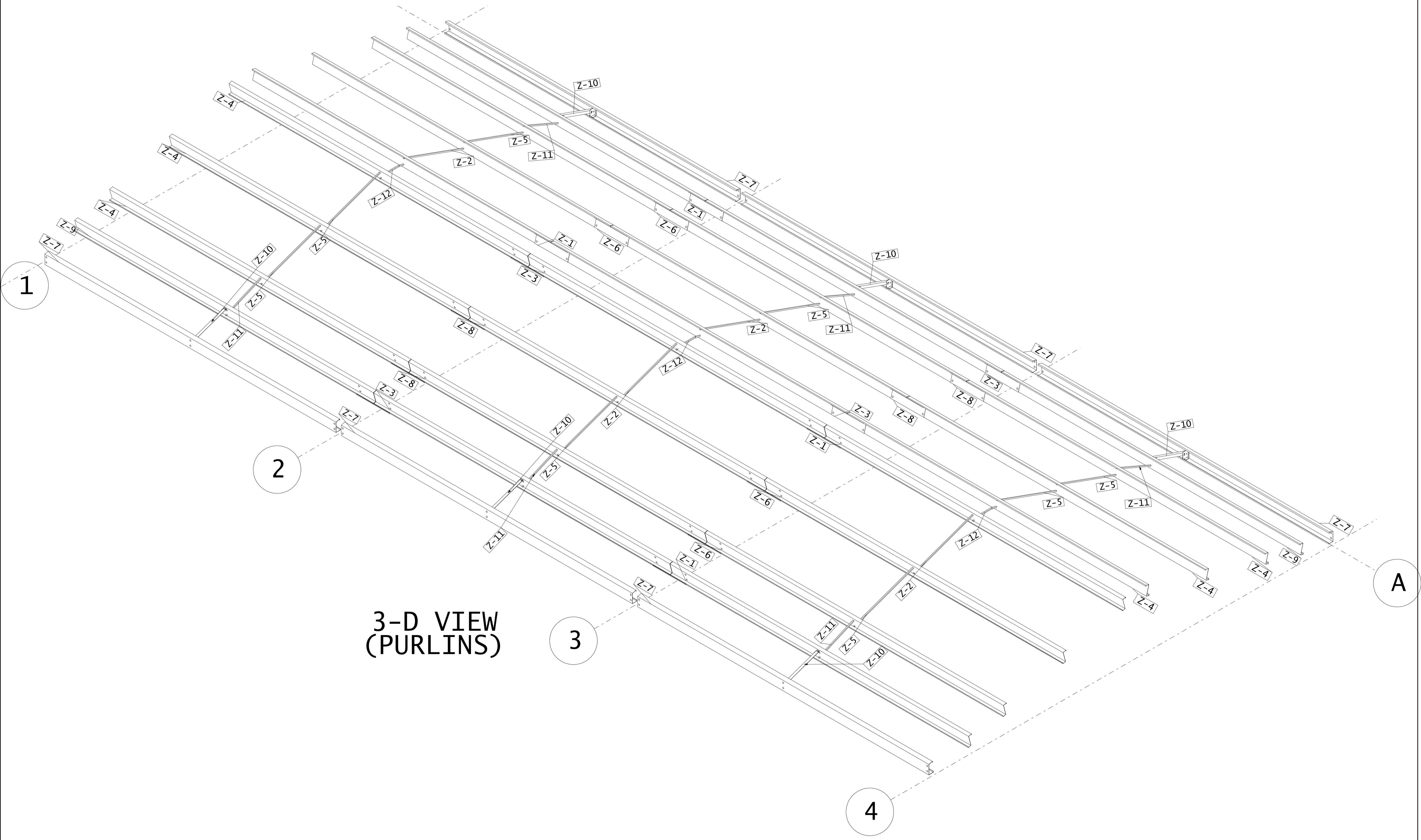
						GENERAL NOTES:			CLIENT MR GUY HUDSON			DRAWN RJD	24/08/20	ROY ALLEN ENGINEERING LTD STRUCTURAL STEELWORK AND CLADDING SPECIALISTS. FAIR GREEN, DISS, NORFOLK. IP22 4BG. Te1: 01379 642324 Fax: 01379 640521			
									PROJECT REPLACEMENT AGRICULTURAL BUILDING			CHECKED					
									TITLE WHERRY ROAD, NORWICH					SCALE	JOB No	DWG No.	REV
REV	BY	DATE	DETAILS	REV	BY	DATE	DETAILS	ALL STEELWORK TO BE MANUFACTURED TO EN 1090-2 EXECUTION CLASS 2 EXC2					NTS	D53647B	006		



3-D VIEW
(HOT-ROLLED)

						GENERAL NOTES:			CLIENT MR GUY HUDSON			DRAWN RJD 24/08/20		ROY ALLEN ENGINEERING LTD STRUCTURAL STEELWORK AND CLADDING SPECIALISTS. FAIR GREEN, DISS, NORFOLK. IP22 4BG. Te1: 01379 642324 Fax: 01379 640521							
									PROJECT REPLACEMENT AGRICULTURAL BUILDING			CHECKED									
						ALL STEELWORK TO BE MANUFACTURED TO EN 1090-2 EXECUTION CLASS 2 EXC2			TITLE WHERRY ROAD, NORWICH					SCALE		JOB No		DWG No.		REV	
REV	BY	DATE	DETAILS			REV	BY	DATE	DETAILS					NTS		D53647B		007			

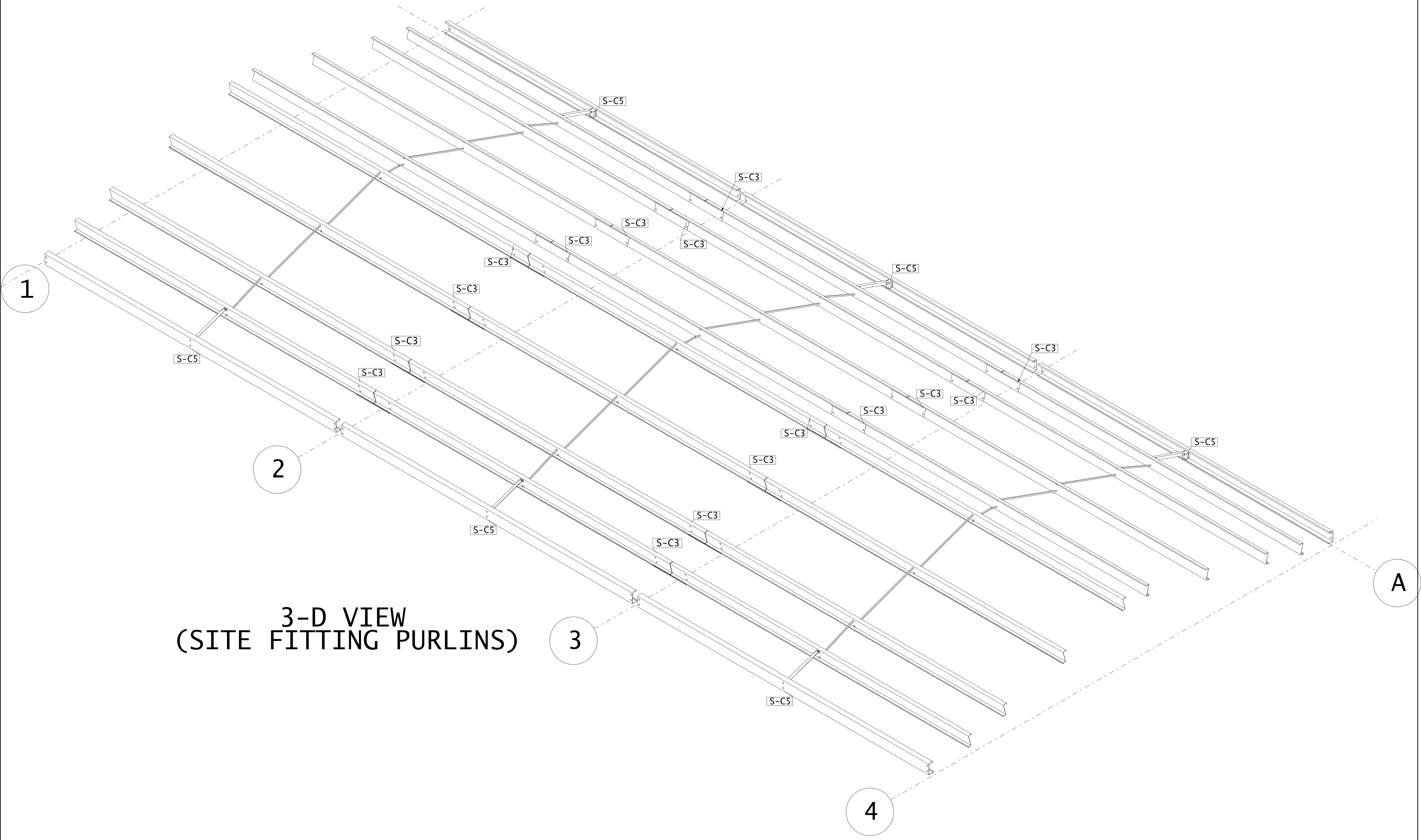





3-D VIEW
(PURLINS)

				GENERAL NOTES:				CLIENT MR GUY HUDSON			DRAWN RJD 24/08/20		ROY ALLEN ENGINEERING LTD STRUCTURAL STEELWORK AND CLADDING SPECIALISTS. FAIR GREEN, DISS, NORFOLK. IP22 4BG. Tel: 01379 642324 Fax: 01379 640521					
								PROJECT REPLACEMENT AGRICULTURAL BUILDING			CHECKED						SCALE JOB No DWG No. REV NTS D53647B 008	
REV	BY	DATE	DETAILS	REV	BY	DATE	DETAILS	ALL STEELWORK TO BE MANUFACTURED TO EN 1090-2 EXECUTION CLASS 2 EXC2				TITLE WHERRY ROAD, NORWICH						





3-D VIEW
(SITE FITTING PURLINS)

						GENERAL NOTES:						CLIENT MR GUY HUDSON			DRAWN RJD 24/08/20		ROY ALLEN ENGINEERING LTD STRUCTURAL STEELWORK AND CLADDING SPECIALISTS. FAIR GREEN, DISS, NORFOLK. IP22 4BG. Tel: 01379 642324 Fax: 01379 640521				
												PROJECT REPLACEMENT AGRICULTURAL BUILDING			CHECKED						
REV	BY	DATE	DETAILS	REV	BY	DATE	DETAILS	ALL STEELWORK TO BE MANUFACTURED TO EN 1090-2 EXECUTION CLASS 2 EXC2						TITLE WHERRY ROAD, NORWICH			SCALE	JOB No	DWG No.	REV	
																	NTS	D53647B	009		