

Proposed Elevations, Floor Plan and Roof Plan

**National
Timber Buildings**

1:50 Scale on A3

Novice Range

Name: Della Clarke

Location: Suffolk

Reference: LG

Date: 03/02/2022

Author: LT

Plan Number: 2

Specification:

50x75mm Tanalised Treated Framing at 600mm Centers

12x150mm Tanalised Treated Shiplap Cladding

50x100mm Tanalised Treated Roof Purlins

18mm Roof Lining

Shaded Red Onduvilla Roofing

100mm Black Half Round Guttering to Front & Rear

100x100mm Tanalised Treated Support Posts with Arch Braces

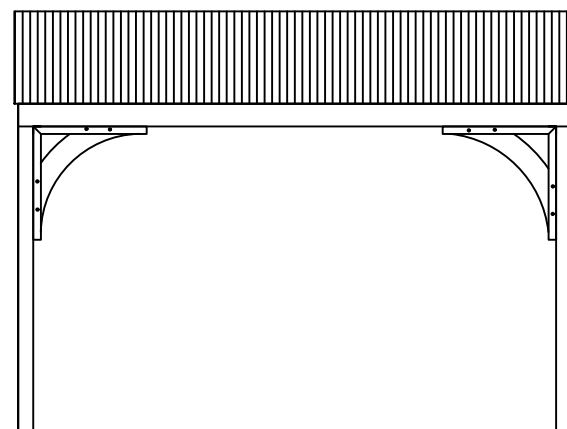
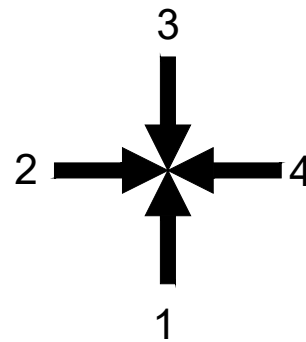
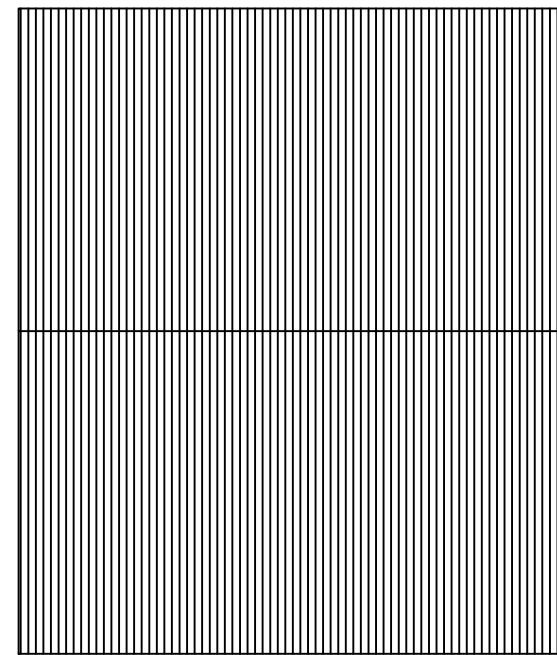
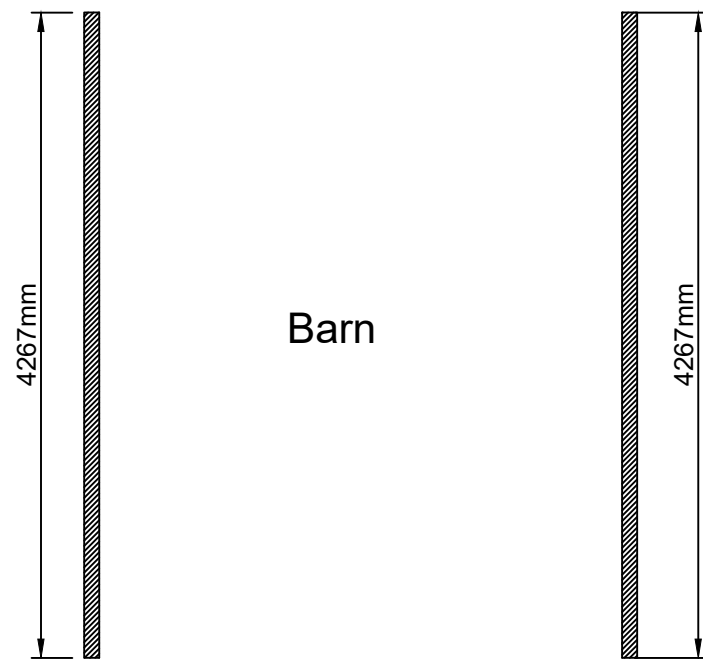


Figure 1

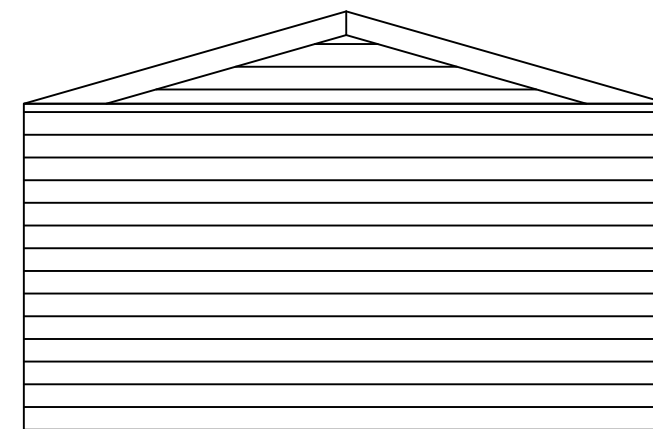


Figure 2

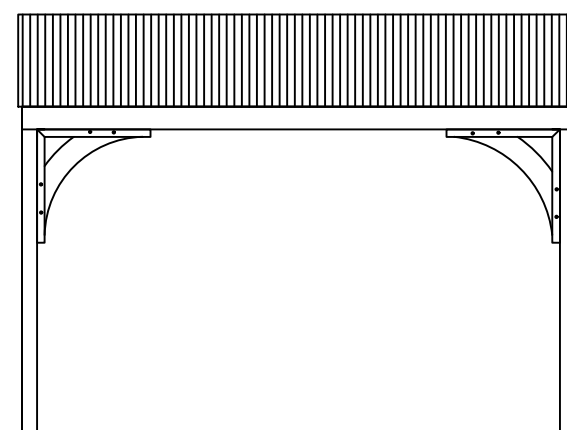


Figure 3

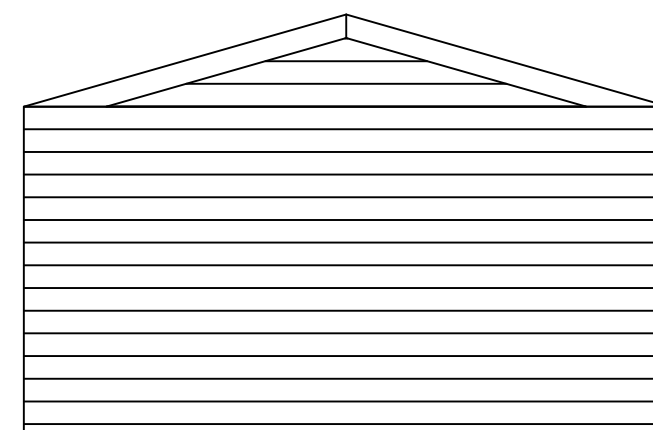
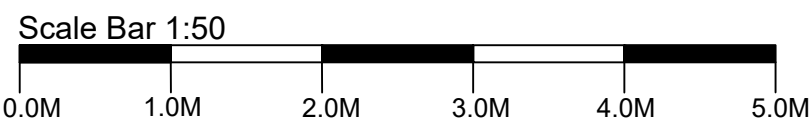


Figure 4



Checked by:

Client Signature: