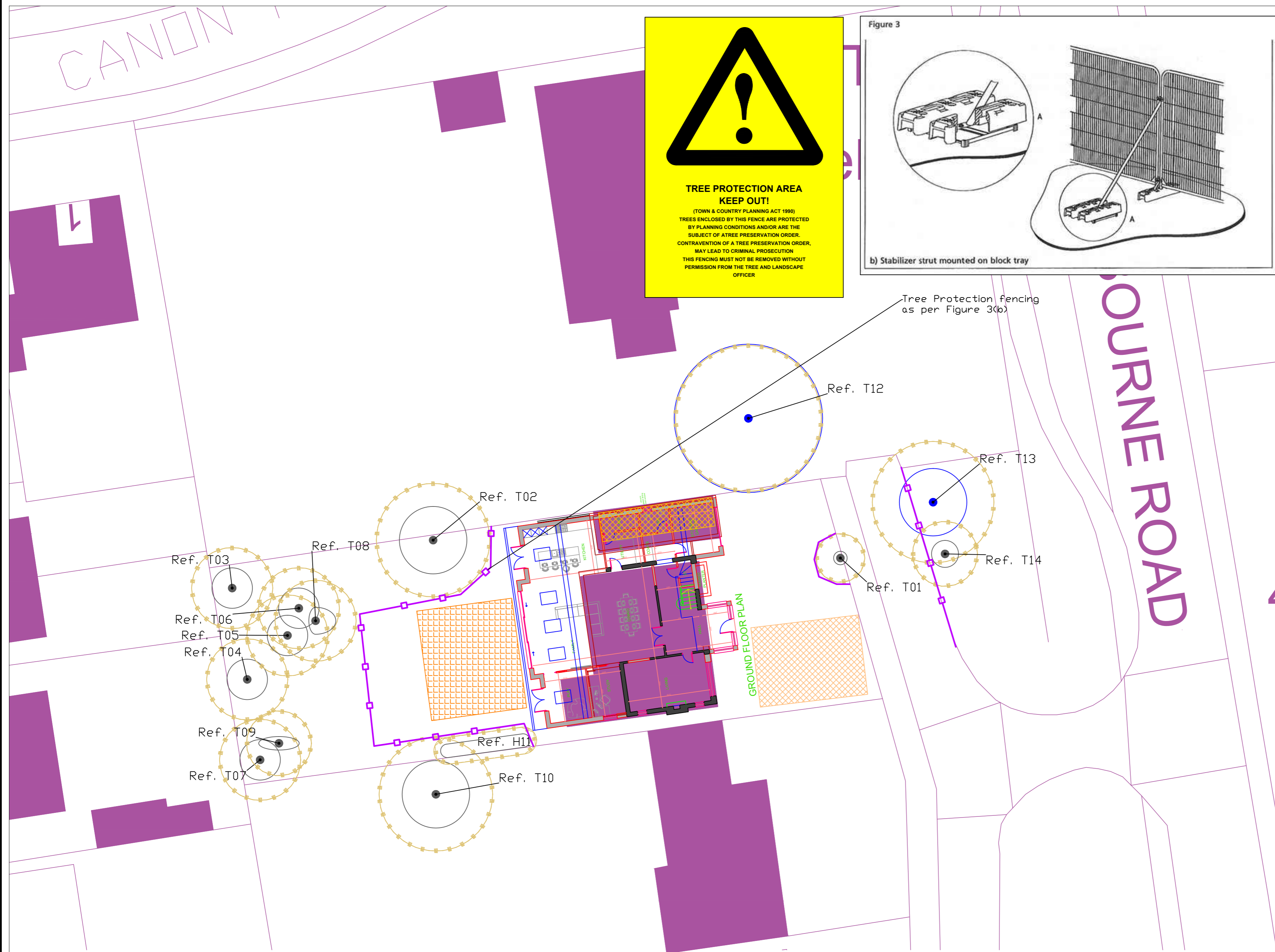
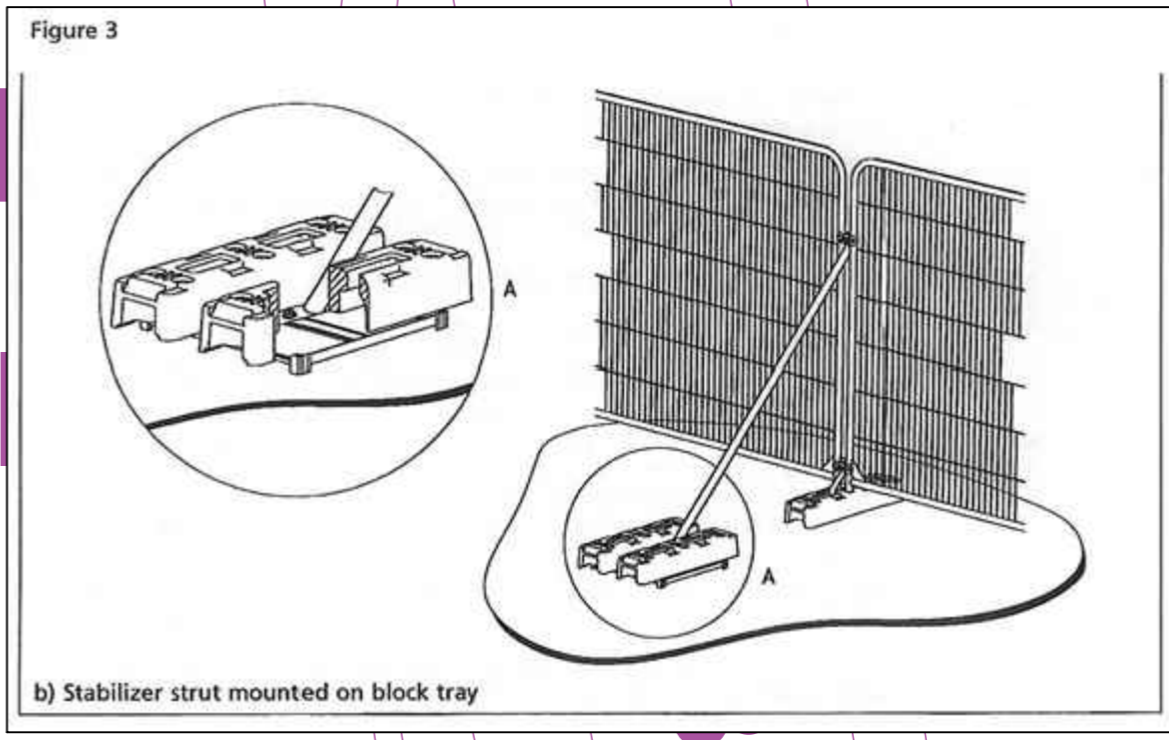


Notes :

This drawing has been prepared in accordance with BS 5837:2012.

This drawing is intended to be printed and used in colour only, and for no purpose other than the consideration of trees in accordance with BS 5837.



BS5837:2012 Cascade chart for tree quality assessment

Category & Definition	Criteria (including subcategories where appropriate)	Identification on plan
Trees unsuitable for retention		
Category U	<p>U1: Trees that have a serious, irreversible, structural defect, such that their early loss is expected due to the high risk of failure.</p> <p>U2: Trees that have a serious, irreversible, structural defect, such that their early loss is expected due to the high risk of failure.</p> <p>U3: Trees that have a serious, irreversible, structural defect, such that their early loss is expected due to the high risk of failure.</p>	Red on plan R08 127, A10
Trees to be considered for retention		
Category A	<p>A1: Many horticultural qualities</p> <p>A2: Many landscape qualities</p> <p>A3: Many cultural values, including conservation</p>	
Category B	<p>B1: Trees that are particularly good examples of their species, variety or cultivar, or are of particular interest to the public.</p> <p>B2: Trees that are particularly good examples of their species, variety or cultivar, or are of particular interest to the public.</p> <p>B3: Trees that are particularly good examples of their species, variety or cultivar, or are of particular interest to the public.</p>	Light Green R08 9,255,9
Category C	<p>C1: Trees that are particularly good examples of their species, variety or cultivar, or are of particular interest to the public.</p> <p>C2: Trees that are particularly good examples of their species, variety or cultivar, or are of particular interest to the public.</p> <p>C3: Trees that are particularly good examples of their species, variety or cultivar, or are of particular interest to the public.</p>	Mid Blue R08 6,125,5
Category D	<p>D1: Trees that are particularly good examples of their species, variety or cultivar, or are of particular interest to the public.</p> <p>D2: Trees that are particularly good examples of their species, variety or cultivar, or are of particular interest to the public.</p> <p>D3: Trees that are particularly good examples of their species, variety or cultivar, or are of particular interest to the public.</p>	Grey R08 9,125,5

- KEY**
- Root Protection Area (RPA)
 - Tree Stem
 - T1 Tree No.
 - Tree Protection Fencing
 - Storage Area
 - Contractor Parking
 - Welfare and site office

Rev	Details	Date	Checked By

Drawing Number **AEL-18509-TPP**

Apex Environmental Ltd
 3 Lawrence Way, Lichfield, WS13 6RD
 TEL: 0121 249 1235 e-mail: info@ael-treecoconsultants.co.uk web: www.ael-treecoconsultants.co.uk

Client **Mr A Aujla**

Project **26 Wellesbourne Road, Barford**

Title	Tree Protection Plan		
Scale	Date	Drawn By	Checked By
1:200	04/03/2022	RJH	
		Drawing Number	Revision
			A

THIS DRAWING IS CONFIDENTIAL AND MUST NOT BE REPRODUCED WITHOUT THE CONSENT OF APEX ENVIRONMENTAL LTD

