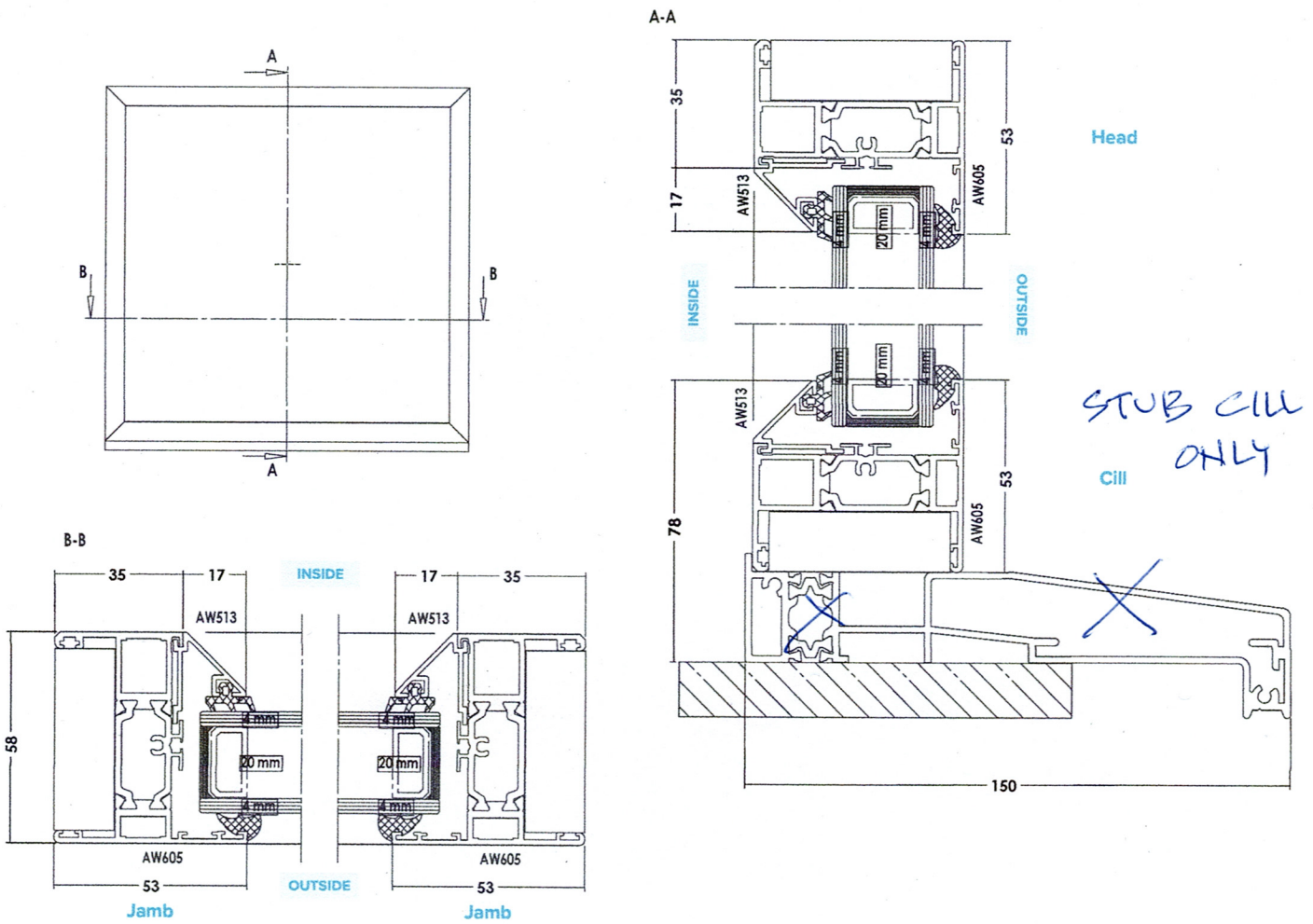


TECHNICAL DRAWINGS



SIZE & WEIGHT LIMITS	
Fixed Light	
Max Width	2500mm
Max Height	2500mm
Max Weight	250kg

PERFORMANCE	
U-Value (Double Glazing)	(U _g = 1.0 W/m ² K) 1.4 W/m ² K
U-Value (Triple Glazing)	(U _g = 0.7 W/m ² K) 1.2 W/m ² K
Window Energy Rating (WER)	B-C
BRE Green Guide Rating	A rated
Air Permeability	Class 4 (600 Pa)
Water Tightness	Class 9a (600pa)
Wind Resistance	Class E2400 (2400 Pa)
Acoustic Performance Rw	Rw (C,Ctr) 42 (-1;-5) dB
Security	PAS 24 & SBD
3rd Party Certification Q Mark	✓

SIGHTLINES	
Head	53mm
Cill	78mm
Jamb	53mm
Mullion	57mm

FINISHES	
Single Colour	✓
Dual Colour	✓
Textured Finish	✓
Anodised Finish	✓

BUILDING REGULATIONS	
Part L	Compliant
Part F	Compliant
Part M	Compliant
Part Q	Compliant

DETAILS	
Frame Depth	58 / 70mm
Glazing Thickness	28-40mm