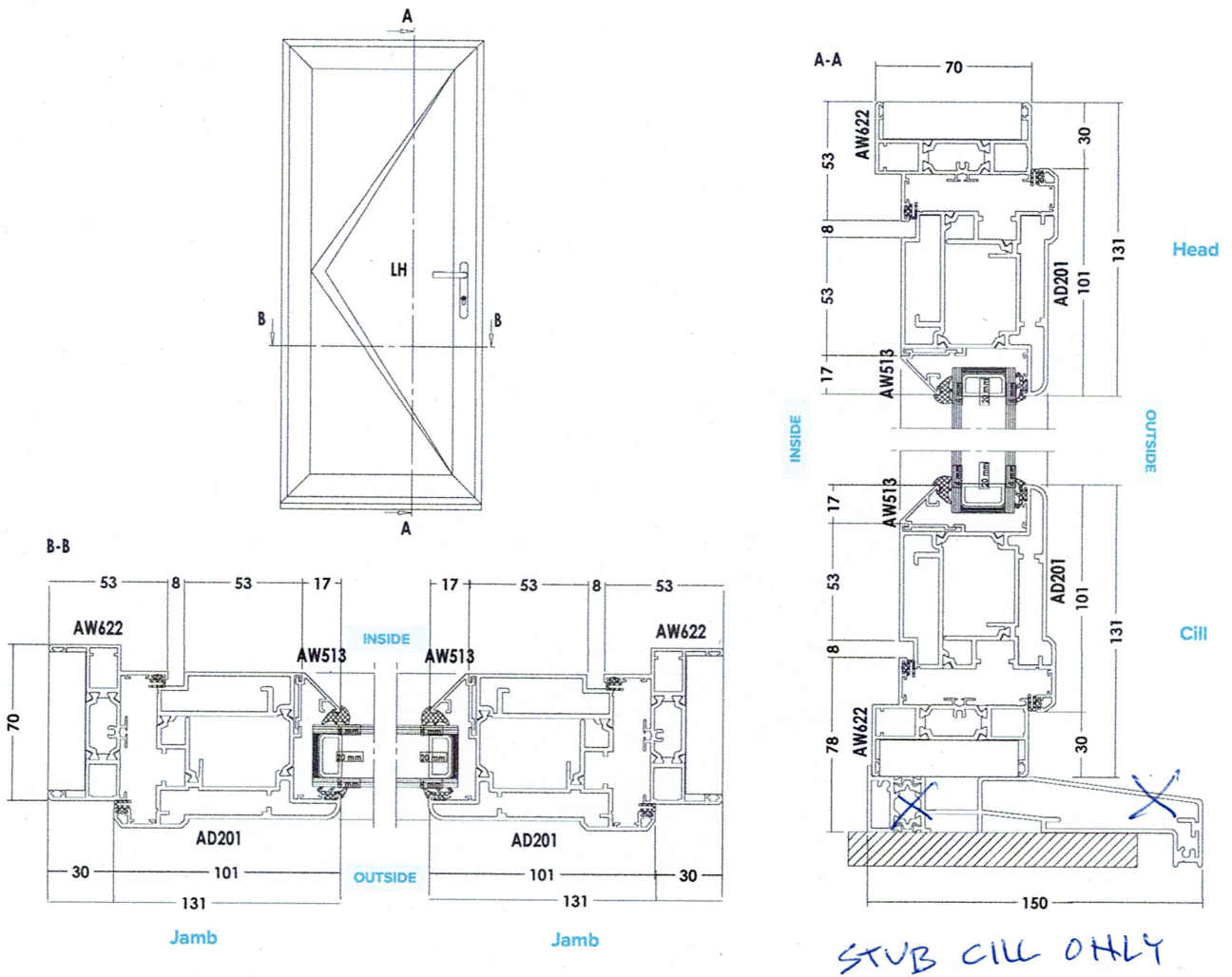


TECHNICAL DRAWINGS



SIZE & WEIGHT LIMITS

Max Door Width	1200mm
Max Door Height	2400mm
Max Door Weight (3 hinges)	67.5kg
Max Door Weight (4 hinges)	90kg

SIGHTLINES

Head	131mm
Cill	131mm
Jamb	131mm

PERFORMANCE

U-Value Double Glazing	(Ug = 1.0 W/m ² K) 1.7 W/m ² K
U-Value Triple Glazing	(Ug = 0.7 W/m ² K) 1.4 W/m ² K
Air Permeability	Class 4 (600 Pa)
Water Tightness (Open-in)	Class 3a (100 Pa)
Water Tightness (Open-out)	Class 7a (300 Pa)
Wind Resistance (Open-in)	Class A3 (1200 Pa)
Wind Resistance (Open-out)	Class AE2400 (2400 Pa)
Security	PAS 24 & SBD
3rd Party Certification Q-Mark	✓

BUILDING REGULATIONS

Part L	Compliant
Part F	Compliant
Part M	Compliant
Part Q	Compliant

FINISHES

Single Colour	✓
Dual Colour	✓
Textured Finish	✓
Anodised Finish	✓

DETAILS

Multipoint Locking	✓
Panel Door	✓
Barrel Hinges	✓
Low Threshold	✓
Midrail	✓
Glazing Thickness	28mm
Frame Depth	58/70mm