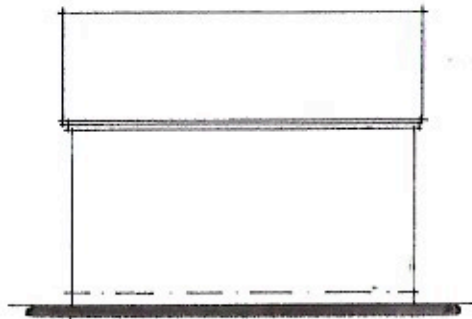
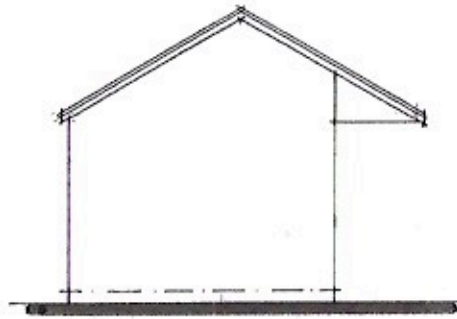


elevations.



front



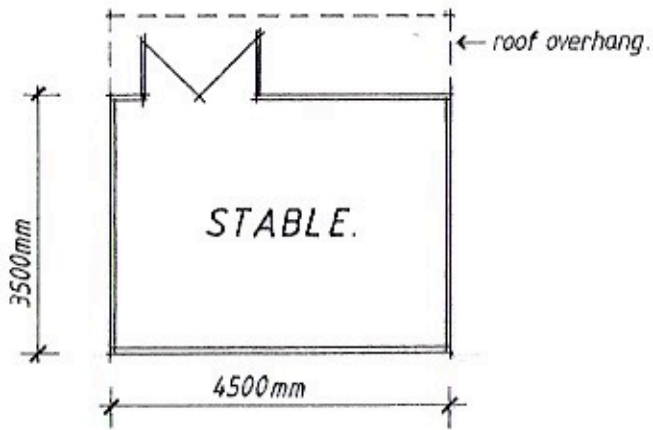
side



side



rear



floor plan.

Erection of Detached Tack Room Store  
(Part Retrospective) & Stable Block  
Field View, Alby Hill, Alby, Norwich

**PROPOSED STABLE BLOCK FLOOR  
PLAN & ELEVATIONS**

scale 1:100 @ A4

**DRAWING No.4**