

MODUS S

The Modus S Series is built for sports applications and offers high lumen packages with greatly reduced weight.

The uniquely designed light shields allow the Modus S to have a high level of uniformity across sports areas whilst minimizing the glare levels on the field and spectators stands.

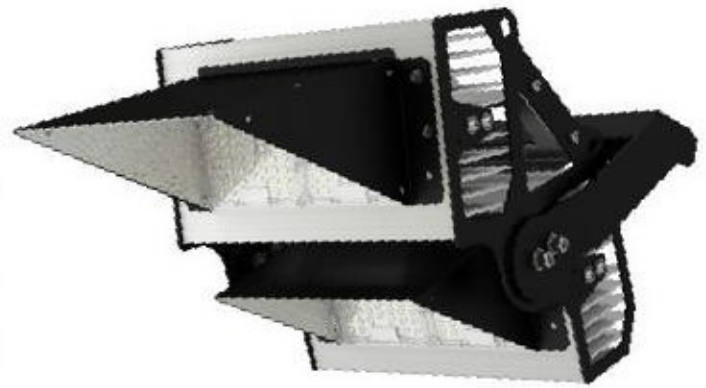
The extremely low flicker factor assures smooth slow motion video capturing and the high CRI option provide the perfect solution for HUD 4K television broadcasting.

Thanks to the DMX Controls each Modus S can become part of a light show to entertain the fans in the Arena.

CE LED IP66

Technical data

Performance	
Luminaire Output	Up to 140.000 lm
Power Absorption	1100W
Lumen Maintenance [L80 B10]	>80.000h
Lumen Maintenance [L70 B50]	>100.000h
Optoelectronics	
CRI	70 - 80 - 90
Colour Temperature	<ul style="list-style-type: none"> • 3000K Warm White • 4000K Neutral White • 5000K Pure White • 5700K Cool White
Secondary Optics	weather proof, Anti-yellowing PC refraction matrix
No of LEDs	256
Flicker Index	0.002
% Flicker	0.79
SVM (Stroboscopic Effect Visibility Measure)	0.025
Luminaire Body	
Chassis and Bracket	Stainless Steel
Metal Finish	Powder Coating
Heatsinks	Anodized Extruded Aluminium (Copper Content <0.1%)
Bracket	Angled Reversible bracket, M20 or 2 x M16 Fixing points
Weight	20 Kg
Dimensions (L-W-H)	592L x 432W x 478H
Protection Level	IP66
Impact Resistance	IK09
Windage EPA	0.179 m2



Driver Unit	
Dimensions (L-W-H)	398mm-230mm-152mm
Weight	9Kg
Protection Level	IP67
Electronics	
Voltage input	200-480 VAC 50-60Hz
Active Power F.C.	0.97
Surge Protection	10kV line-earth, 6kV line-line
Insulation class	IEC Class I
Short Circuit Protection	Auto-recovery
Over Heat Protection	Drops output current
Operation Conditions	
Working temperature	-40°C / +50°C
Humidity Range	0% - 94%
DMX Control	RDM & DMX512

Normative reference

EN 60598-1:2008 + A11: 2009 - Luminaires - Part 1: General requirements and tests

EN 60598-2-5:2003 - Luminaires - Part 2-5: Particular requirements - Floodlights

EN 62031:2008 + A1: 2013 - LED modules for general lighting - Safety specifications

EN 62493:2010 - Assessment of lighting equipment related to human exposure to electromagnetic fields

EN 60529:1991 + A1:2000 + A2:2013 - Degrees of protection provided by enclosures (IP Code) IEC 60068-2-52 - Environmental test: Salt mist test

EN 55015: 2003 - Limits and methods of measurement of radio disturbance characteristics of electrical lighting and similar equipment

EN 61547: 2009 - Equipment for general lighting purposes - EMC immunity requirements

EN 61000-3-2: 2006 + A1: 2009 + A2: 2009 - Electromagnetic compatibility (EMC) -- Part 3-2: Limits - Limits for harmonic current emissions (equipment input current ≤ 16 A per phase)

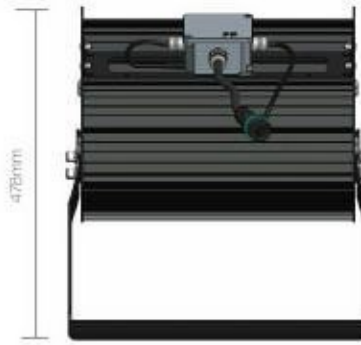
EN 61000-3-3: 20013 - Electromagnetic compatibility (EMC) -- Part 3-3: Limits - Limitation of voltage changes, voltage fluctuations and flicker in public low-voltage supply systems, for equipment with rated current ≤ 16 A per phase and not subject to conditional connection.



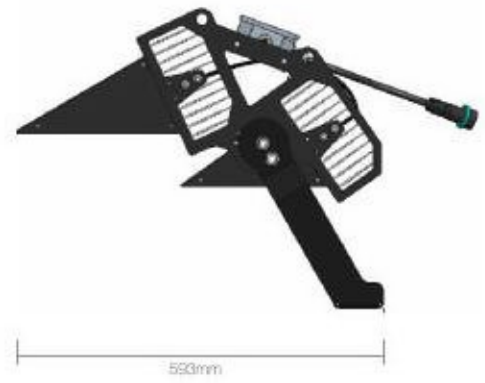
Midstream Lighting Ltd, 1 Chesham Street, London SW1X 8ND UK



Dimensions

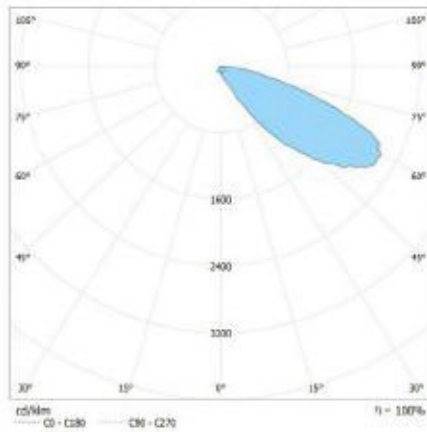


MODUS S

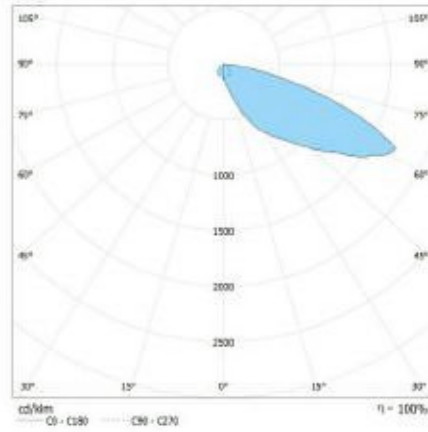


Photometrics

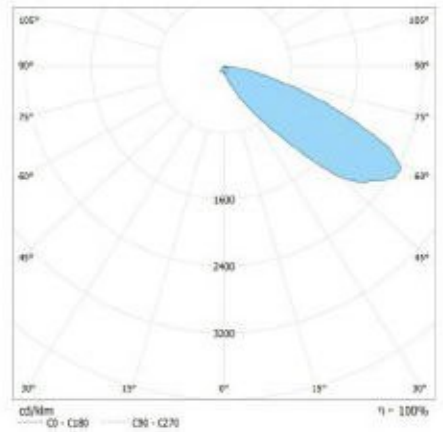
NS



WS



MS



Ordering codes

Product Family	Power	Optic	CCT	CRI	Voltage Input	Control System	Driver	Bracket	Optional
MS	11 (1100W)	NS (Narrow Beam - Spill Control)	A (5000k)	70	EU (200-480 VAC)	10 (0-10V)	C (Driver for Cabinet/Mast Shaft mounting)	A (Angled Bracket)	0
	09 (900W)	MS (Medium Beam - Spill Control)	B (4000k)	80		DA (DALI)	O (Driver for Outdoor installation)		
		WS (Wide Beam - Spill Control)	C (3000k)	90		DX (DMX)			
			D (5700k)						

Example: MS09WSA70EU10CA