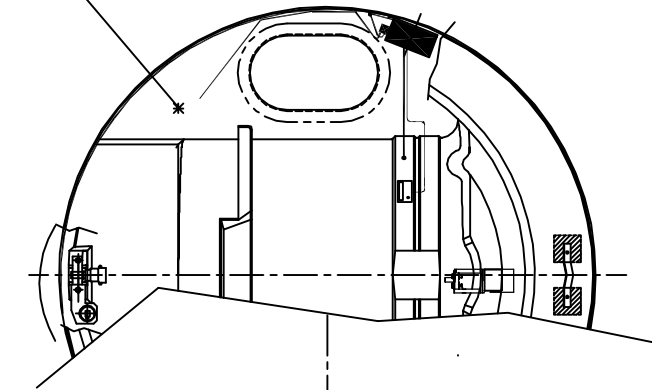


A = DIMENSIONAL REFERENCE FACE



DIMENSIONAL DIFFERENCE

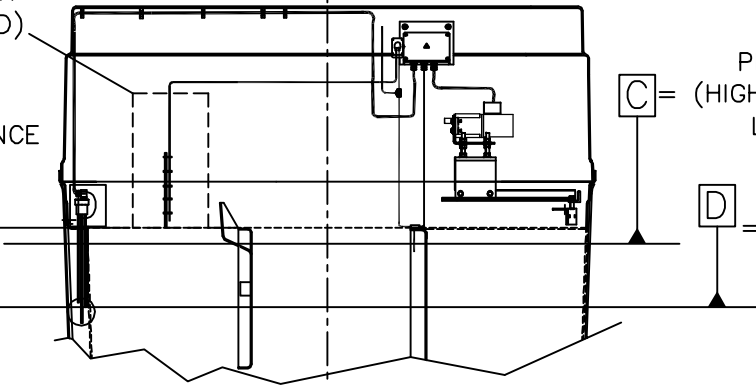
UNIT	A - B	A - C	A - D
BA - BB	206	172	355
BC	266	196	433
BD	266	189	433
BE	266	129	433
BF	280	204	455
BG	290	214	491
BH	415	582	856
BJ	415	582	856
BK	415	582 <td 856	
BL	415	582	856
BM	415	582	856
BN	415	582	856

SEE NOTE 5

CHEMICAL CONTAINER (CUSTOMER SUPPLIED)

A = REFERENCE

D

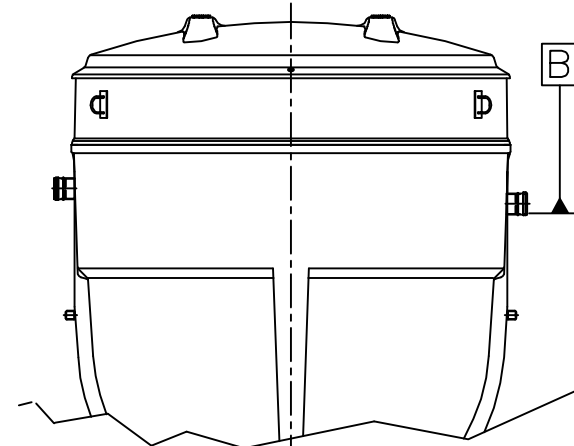


C = PRIMARY (HIGHEST WATER LEVEL)

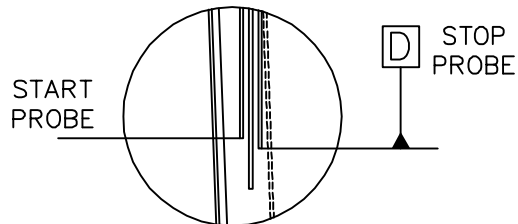
D = PRIMARY (LOWEST WATER LEVEL)

SECTION ON C.L.

END ELEVATION



B = FST LEVEL



START PROBE

D STOP PROBE

DETAIL OF PROBE END (SEE NOTE 3 & 4)

NOTES:-

1. ALL DIMENSIONS IN MM.
2. DRAWING IS GENERIC (UNIT SHOWN BD/BE BIODISC.)
3. CHEMICAL DOSING STARTS 15mm ABOVE DIMENSION 'D'.
4. CHEMICAL DOSING STOPS AT DIM 'D'.
5. PROBE NOT REQUIRED. THE CONTROL PANEL DICTATES DOSING PARAMETERS.

ALL DIMENSIONS ARE IN MILLIMETRES - DO NOT SCALE

	TITLE BA - BN BIODISC PROCESS LEVELS CUSTOMER DRG	
	SCALE 1:15	SHEET SIZE A1
DRAWING No. DS0866P		ISSUE 2

2	13.10.17	T.Kelly	CC1398 - Dosing Pump Change
1	22.07.10	J.C	CCB61
ISSUE	DATE	DRAWN	MODIFICATION
This drawing is copyright and may not be reproduced or used without the written permission of KINGSSPAN KINGSSPAN RESERVE THE RIGHT TO CHANGE SPECIFICATIONS WITHOUT NOTICE			
			THIRD ANGLE PROJECTION