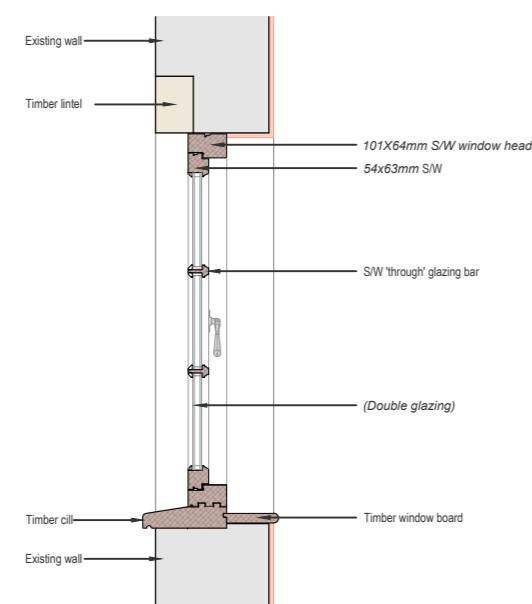
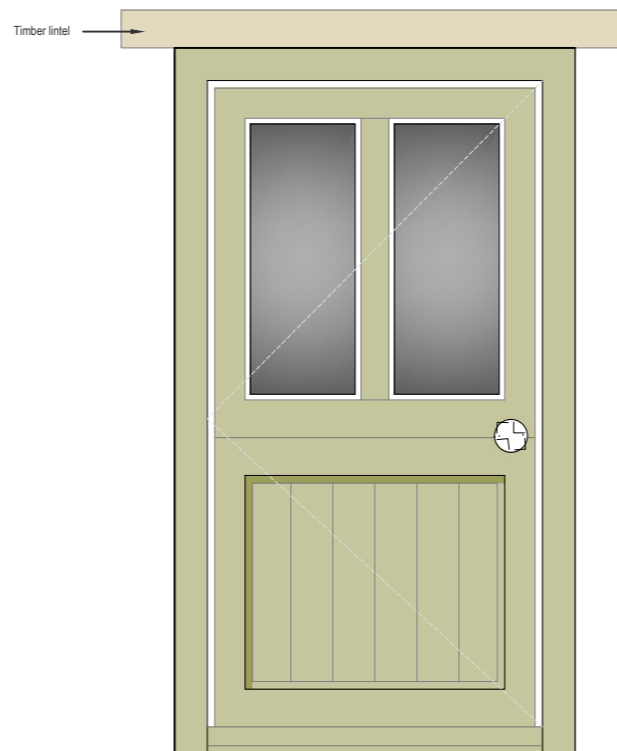


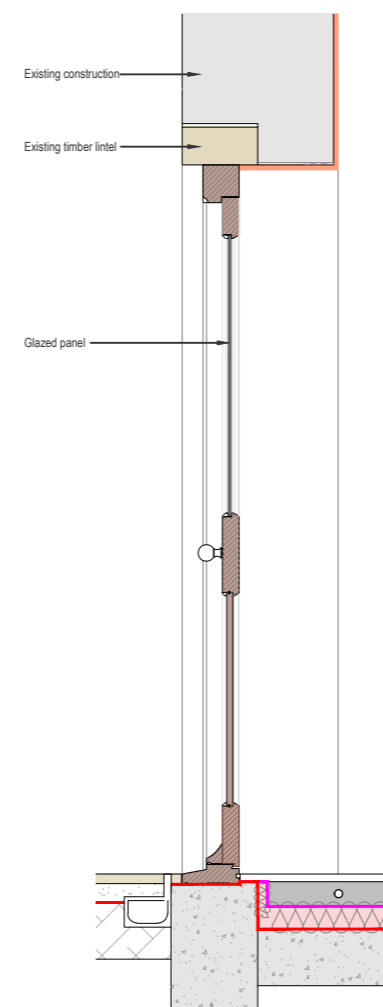
TYPICAL WINDOW DETAIL
Softwood flush fitting casement window
ELEVATION
Scale 1:20



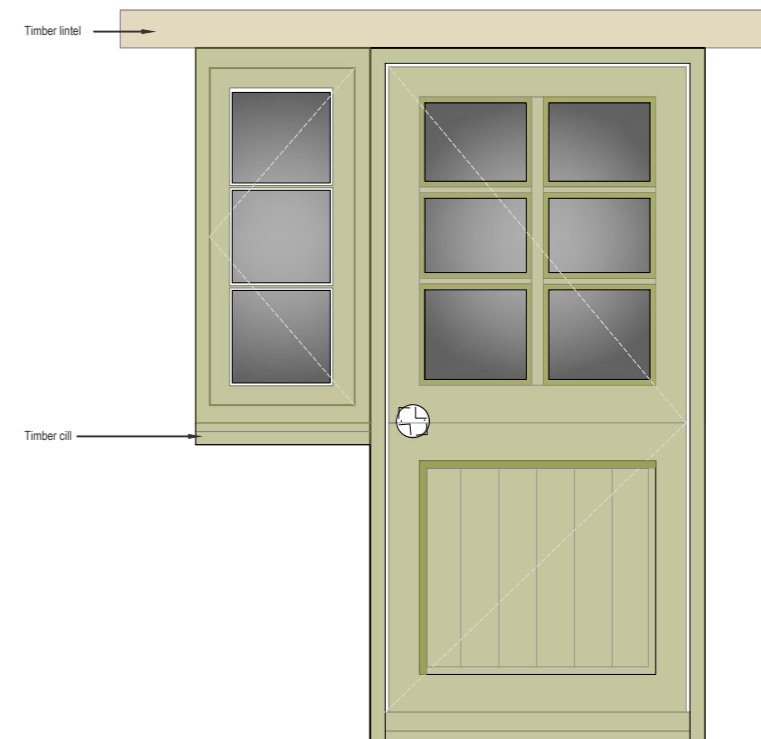
TYPICAL WINDOW DETAIL
Softwood flush fitting casement window
SECTION
Scale 1:20
Colour - TBC
Ironmongery - (*Finish & style TBC*)
Casement Fastener
Casement Stay



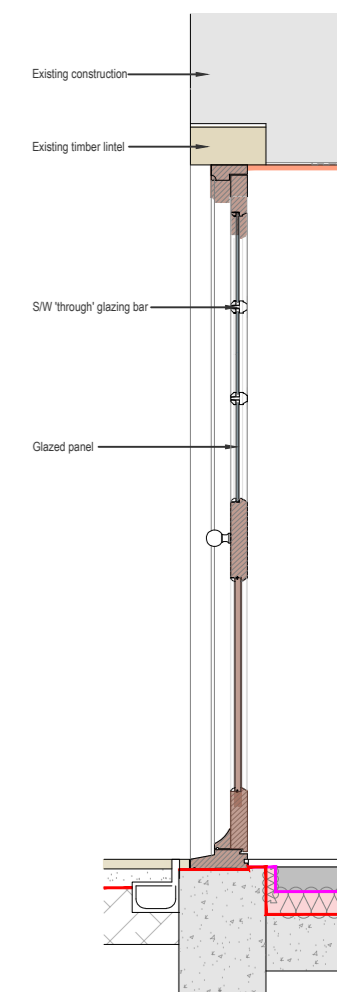
ED.01 - New Entrance door (existing opening)
Softwood 2 panel part glazed external door
ELEVATION
Scale 1:20



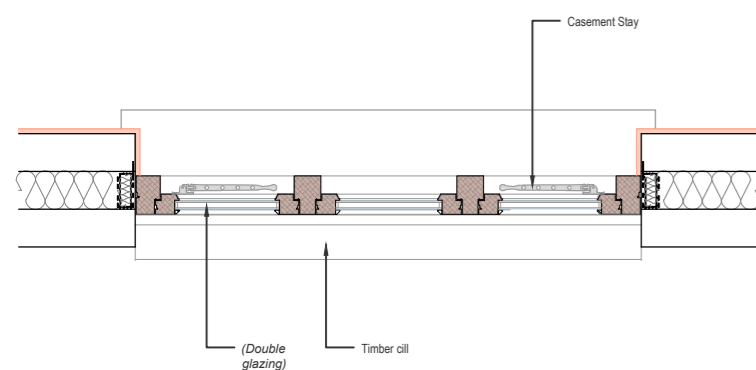
ED.01
Softwood 2 panel part glazed external door
SECTION
Scale 1:20
Colour - TBC
Ironmongery - (*Finish & style TBC*)
Door Knob & 5 lever lock



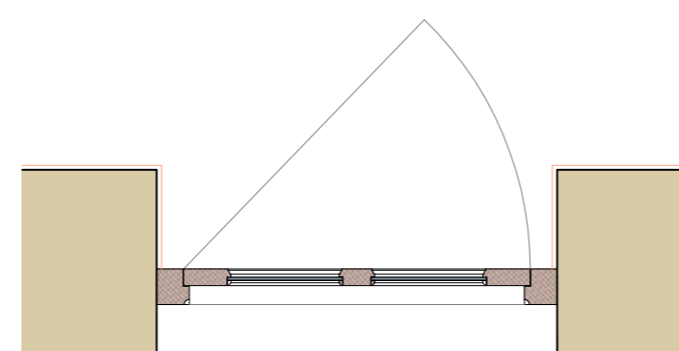
ED.02 - New Entrance door & window (modified opening)
Softwood 2 panel part glazed external door & softwood flush fitting casement window
ELEVATION
Scale 1:20



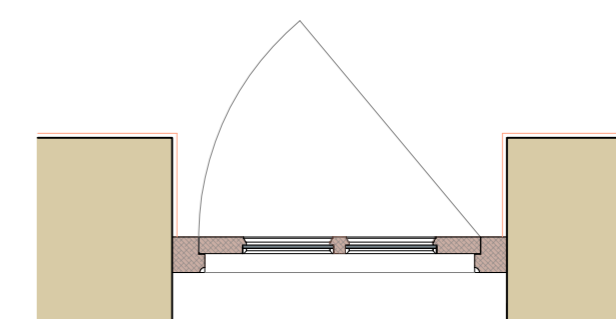
ED.02
Softwood 2 panel part glazed ext
SECTION
Scale 1:20
Colour - TBC
Ironmongery - (*Finish & style TBC*)
Door Knob & 5 lever lock



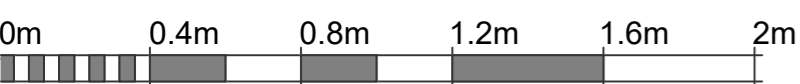
TYPICAL WINDOW DETAIL
Softwood flush fitting casement window
PLAN
Scale 1:20



ED.01
Softwood 2 panel part glazed external door
PLAN
Scale 1:20



ED.02
Softwood 2 panel part glazed external door
PLAN
Scale 1:20



VISUAL SCALE 1:20

Job No. 1515 | 26 & 27 Main Street, Fotheringhay

Drawing No. 007

Revision

Scale

1:20@A2

Joinery Details

RTK Stamford Ltd.

CHARTERED ARCHITECTS | CHARTERED SURVEYORS | PROJECT MANAGEMENT

01780 482483 No.20 - PE9 2EF www.rtkstamford.com QR

Issue Date 12/04/22 Drawn AB



FOR PLANNING

Drawing to be scaled for planning purposes only. All dimensions to be verified on site. All drawings are the copyright of RTK Stamford Ltd.