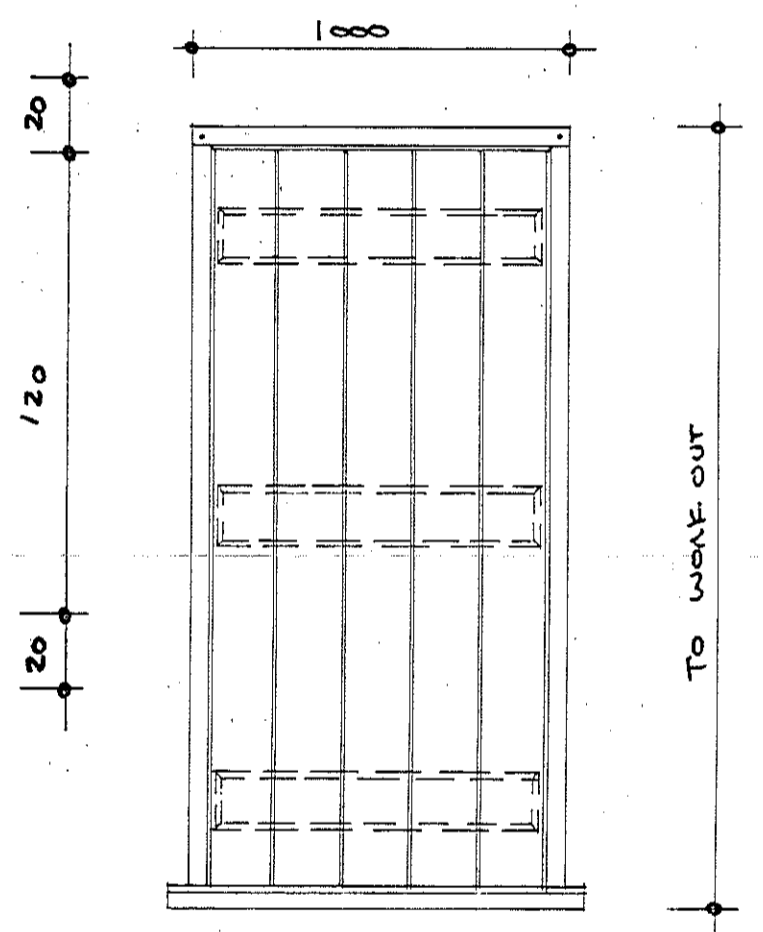
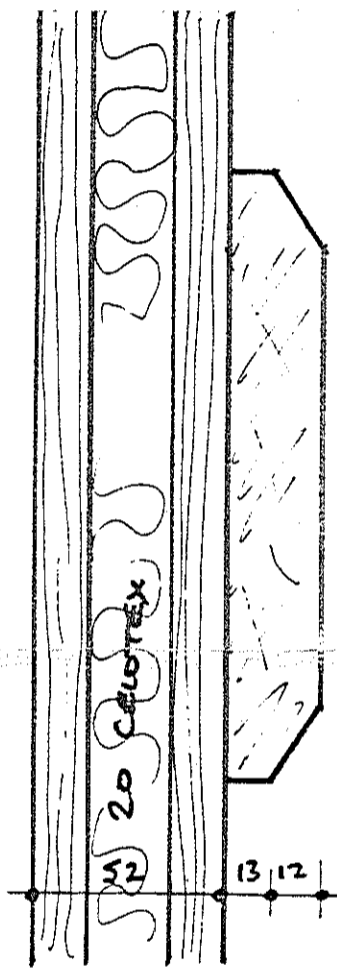
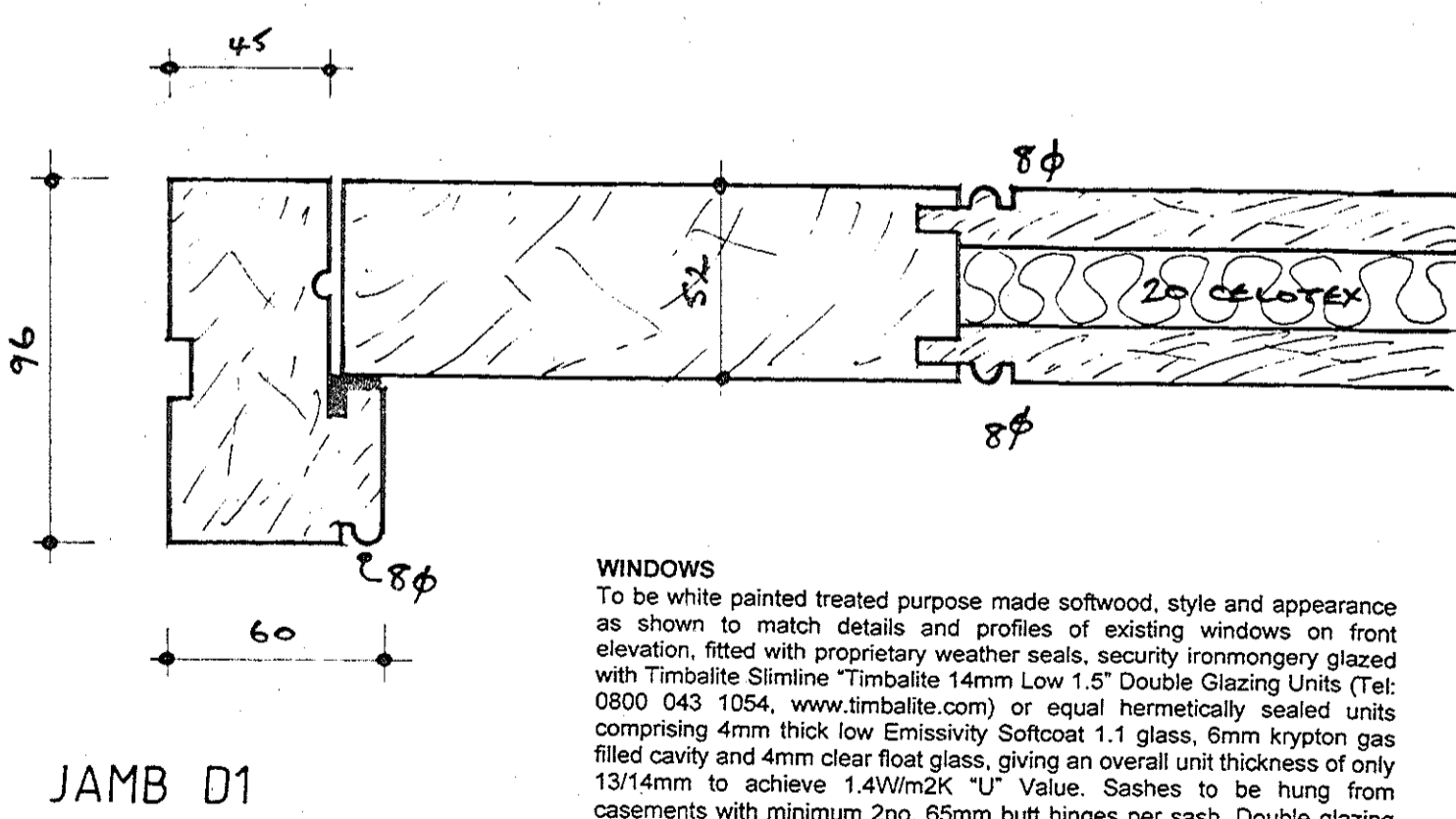
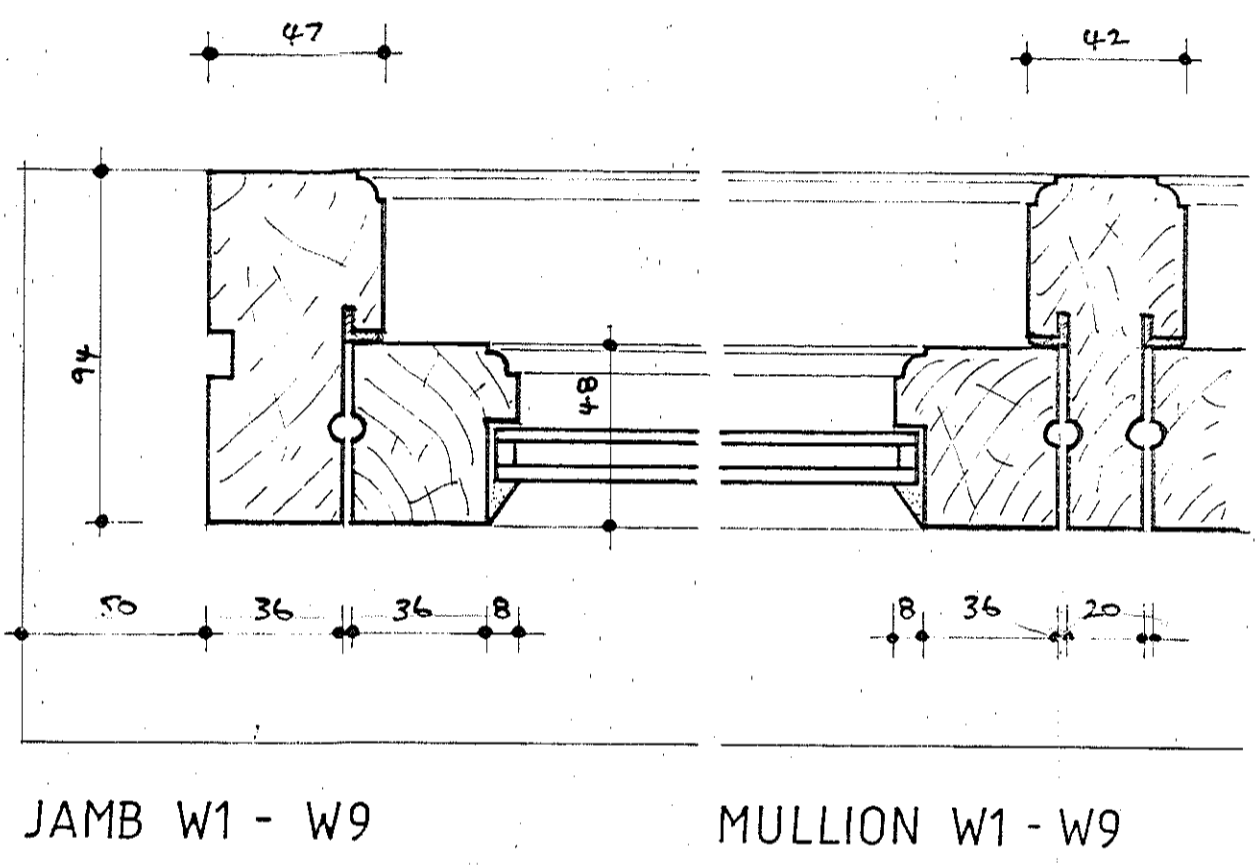
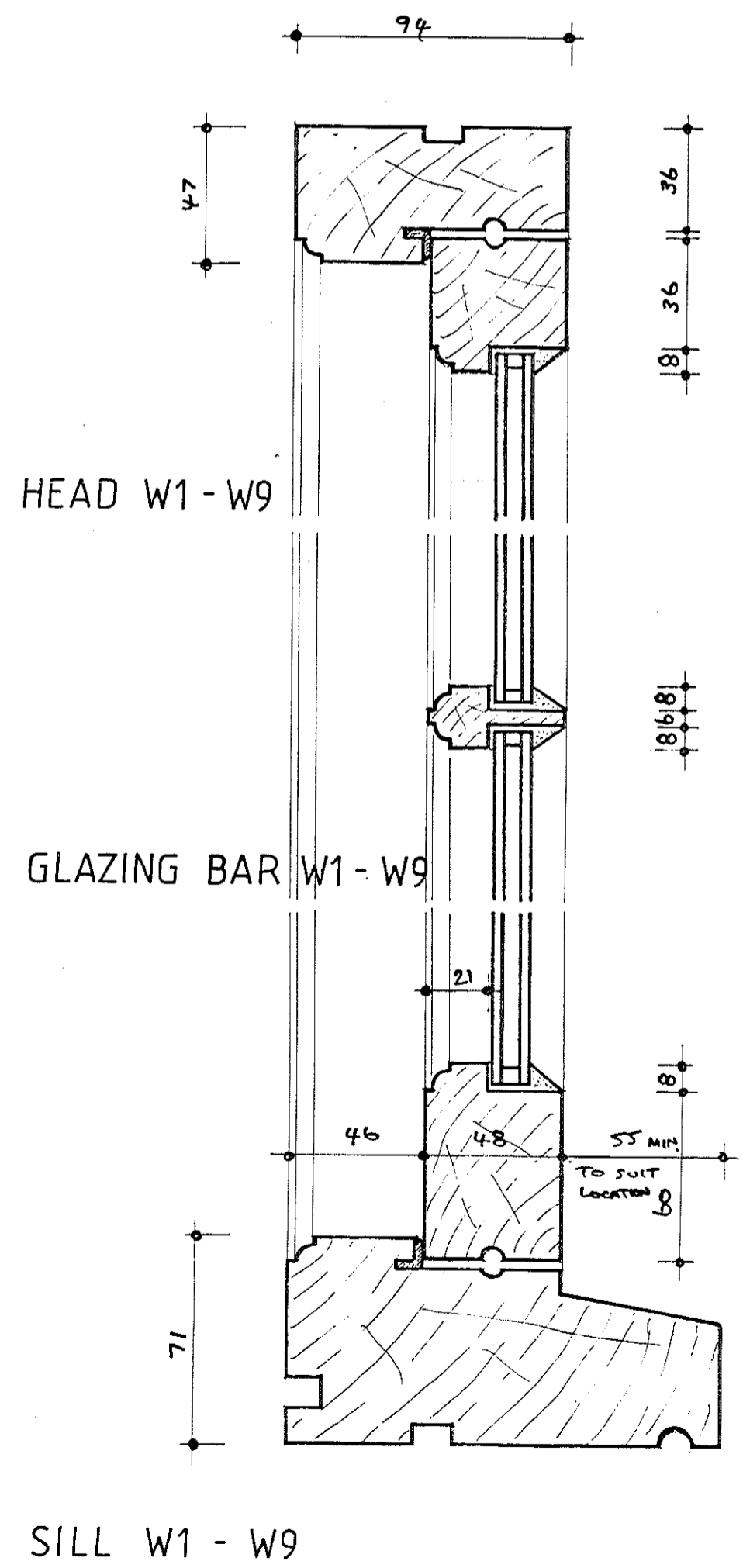


Overall window and door dimensions shown, are structural dimensions, unless otherwise shown. Joiner to site measure all openings.



EXTERNAL DOOR
To be painted treated purpose made softwood, style and appearance as shown, fitted with proprietary weather seals, minimum 3no. 100mm butt hinges and security ironmongery.
IF IN ANY DOUBT PLEASE ASK

WINDOWS
To be white painted treated purpose made softwood, style and appearance as shown to match details and profiles of existing windows on front elevation, fitted with proprietary weather seals, security ironmongery glazed with Timbalite Slimline "Timbalite 14mm Low 1.5" Double Glazing Units (Tel: 0800 043 1054, www.timbalite.com) or equal hermetically sealed units comprising 4mm thick low Emissivity Softcoat 1.1 glass, 6mm krypton gas filled cavity and 4mm clear float glass, giving an overall unit thickness of only 13/14mm to achieve 1.4W/m²K "U" Value. Sashes to be hung from casements with minimum 2no. 65mm butt hinges per sash. Double glazing units to be installed set in non-setting butyl mastic within minimum 8mm rebates and face puttied externally, all as Timbawood Direct Ltd recommendations and details. All glazing to windows less than 800mm above floor level to be in safety glass to BS 6206:1981. Where a window is required for emergency egress purposes it should have an unobstructed opening of at least 0.33m², that is at least 750mm high and at least 450mm wide and the bottom of the window opening should be not more than 1100mm above the floor. Emergency egress windows as shown to have flying mullions fixed to one opening sash and not frame. Where first floor windows are less than 800mm above FFL, fit restrictor stays restricting window to maximum 100mm opening, with override facility where required for emergency egress.

LES ANDREWS MCIAT
Chartered Architectural Technologist & Building Design Consultant
Street Farm, Beck Street, Hepworth, Diss, Norfolk, IP22 2PN. Tel: 01359 254278
MEMBER OF THE CHARTERED INSTITUTE OF ARCHITECTURAL TECHNOLOGISTS

DRAWING	
WINDOW & DOOR AS PROPOSED.	
PROJECT	DRAWING NO.
ALTERATIONS, NEBBITS FARMHOUSE, ELMSWELL ROAD, GREAT ASHFIELD, FOR MR. & MRS. J. REED.	2159/04
	SCALE 1:20, 1:2 @ A2
	DATE APRIL 2022

This drawing is Copyright of Les Andrews MCIAT and cannot be reproduced without written consent. Do not scale. Use figured dimensions only. All discrepancies to be reported immediately to Les Andrews MCIAT