

Footing to structural engineers design and specification 200 x 200mm

Timber side panel with circular opening thickness 20mm

Timber posts 100 x 100mm

267 PAVILION - GROUND FLOOR PLAN
01 SCALE 1:25

Timber roof with shingles B91/111

Solid wood timber seat. Thickness 75-100mm. From planked timber, weathered, sanded and oiled as spec M60/160

D: RIBA 4 Addendum Issue: 08.11.21

267 PAVILION - ROOF PLAN
02 SCALE 1:25

Roof joists Thickness: 30mm

Timber ridge beam 60 x 100mm

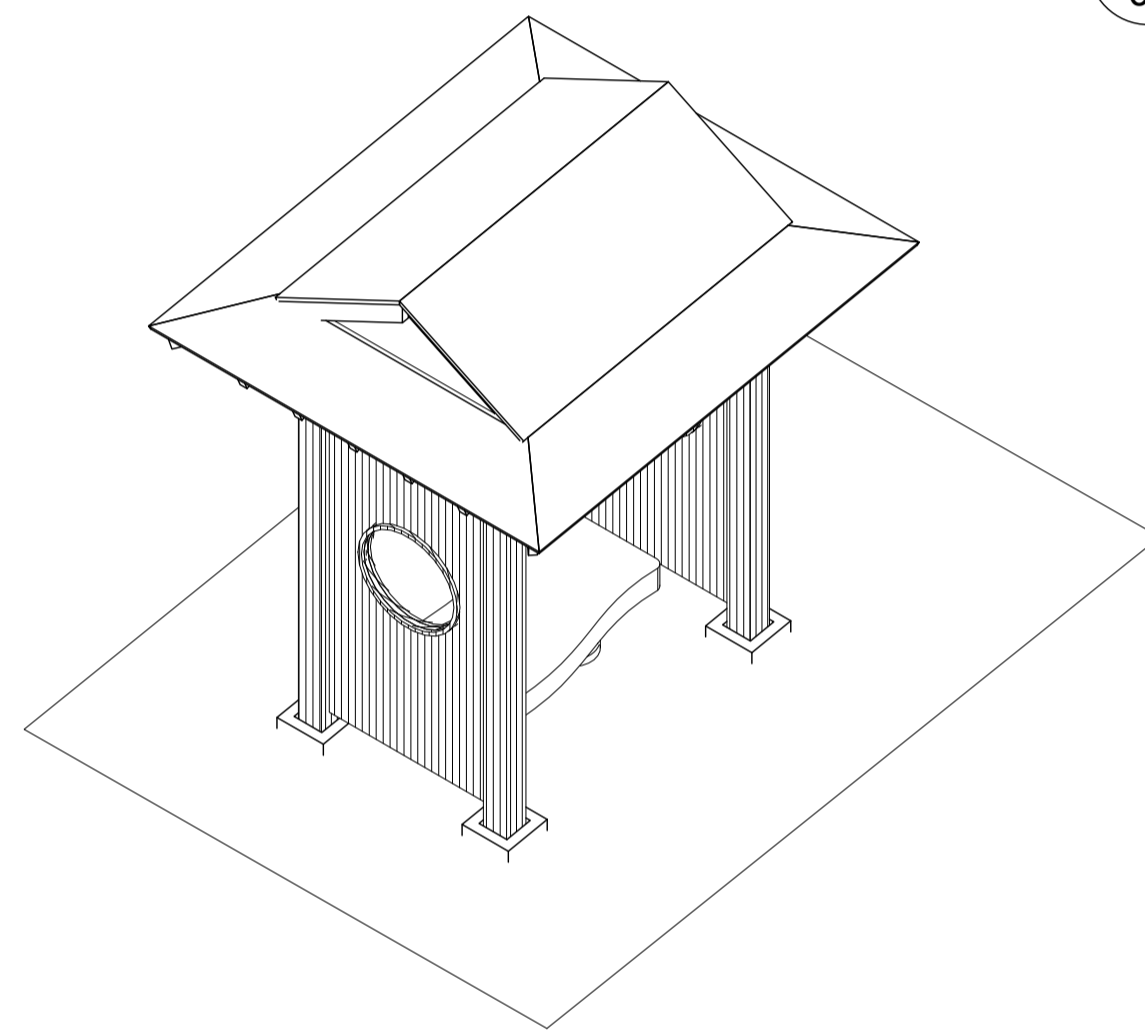
Timber beam 120 x 100mm

Timber beam 60 x 100mm

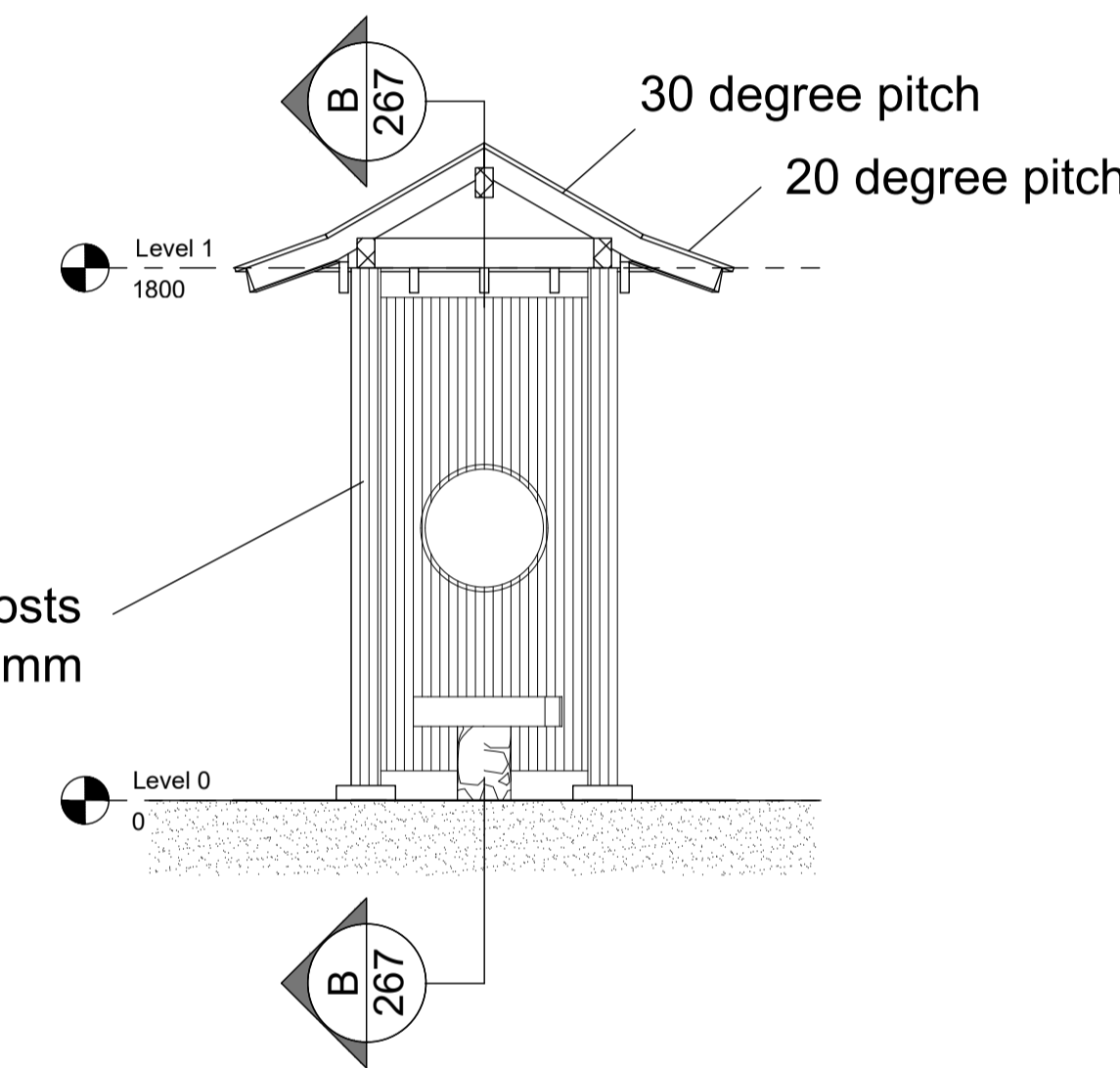
267 PAVILION - TIMBER STRUCTURE PLAN
03 SCALE 1:25



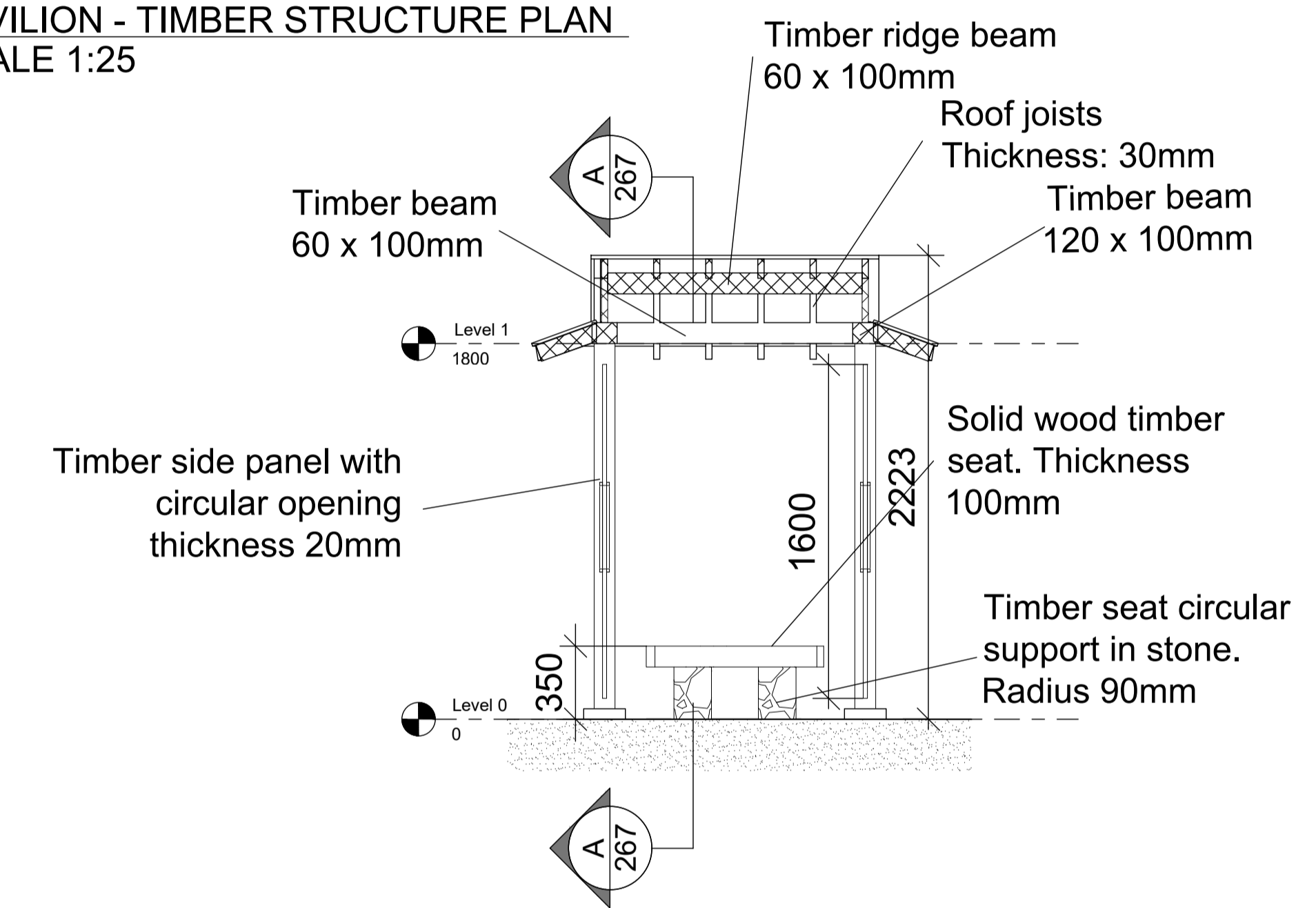
267 PAVILION - 3D RENDERING
04 SCALE: NTS



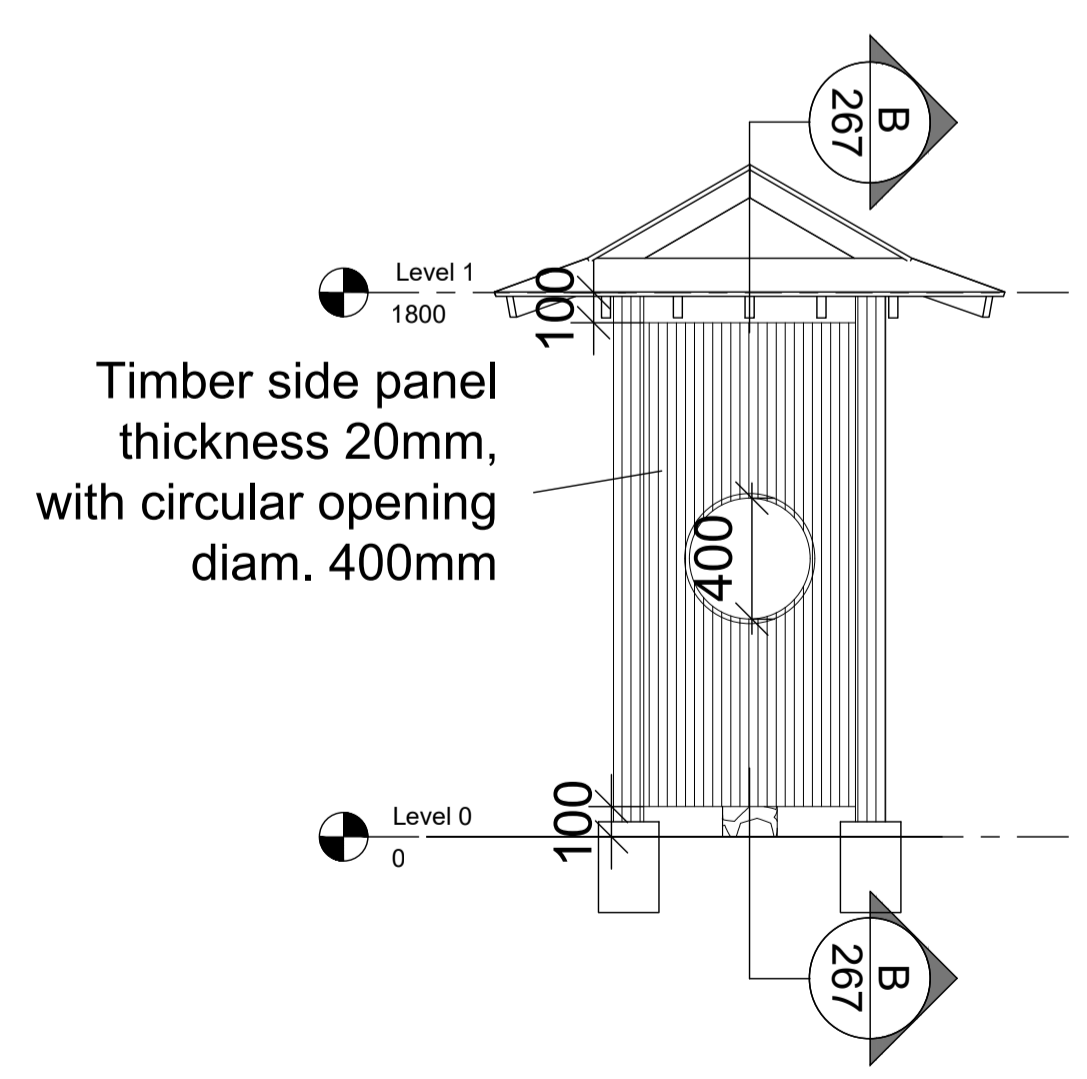
267 PAVILION - 3D AXONOMETRY
05 SCALE NTS



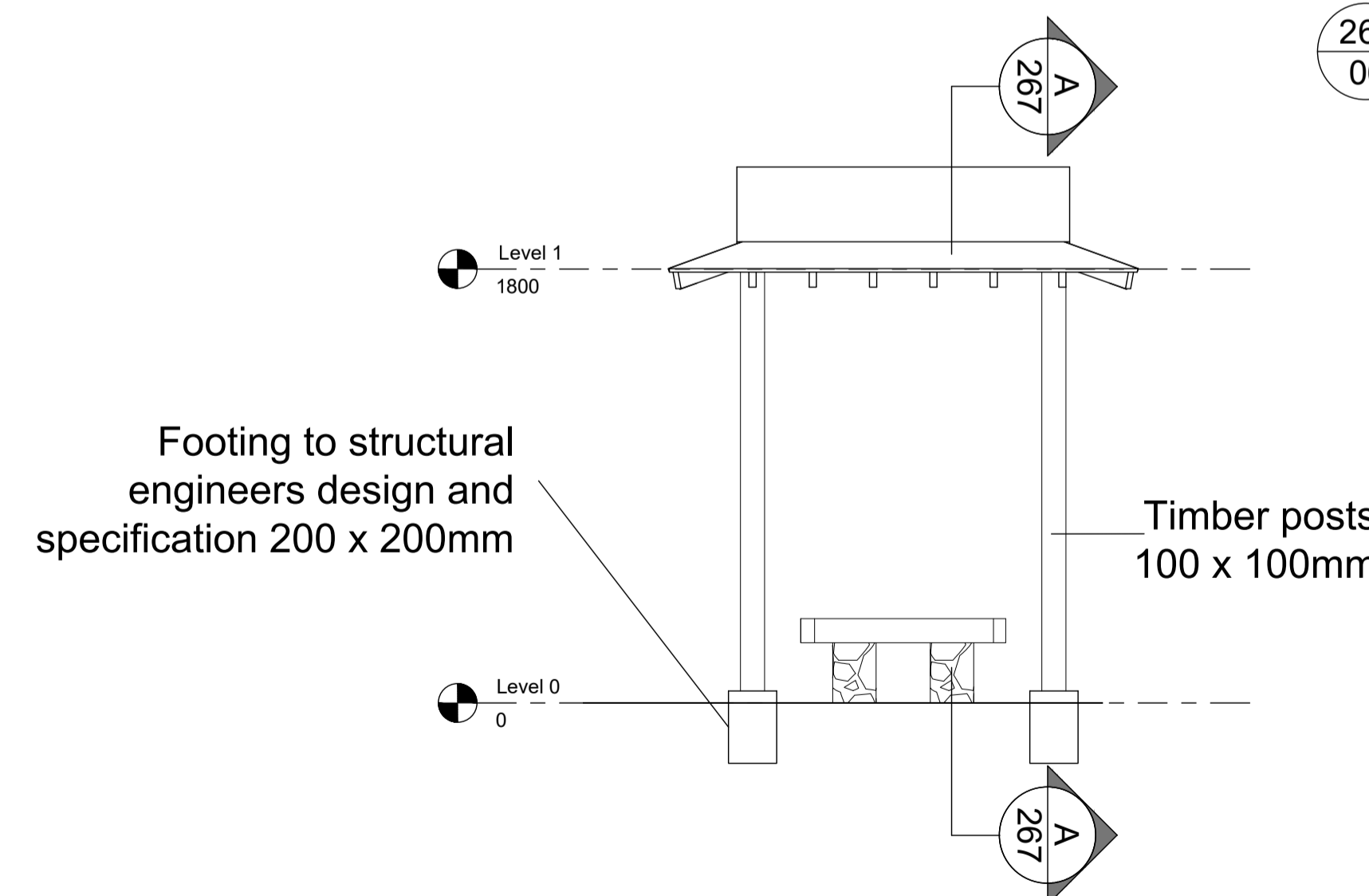
267 PAVILION - SECTION A-A
06 SCALE 1:25



267 PAVILION - SECTION B-B
07 SCALE 1:25



267 PAVILION - SIDE ELEVATION
08 SCALE 1:25



267 PAVILION - FRONT ELEVATION
09 SCALE 1:25



Refer to Plan No 035_200 Series for LOCATION.

REVISION	PROJECT DOLPHIN SQUARE	CLIENT AXA IM	<p>SALLY PROTHERO LANDSCAPE ARCHITECTURE</p>
<p>A: First Issue: 08.09.21</p> <p>B: DRAFT RIBA 4 Issue: 14.09.21</p> <p>C: RIBA 4 Issue: 14.09.21</p> <p>D: RIBA 4 Addendum Issue: 08.11.21</p> <p>E: PLANNING Issue: 16.11.21</p>	DRAWING PROPOSED JAPANESE GARDEN PAVILION AND SEATING	SCALE As shown	
	DRAWING NO. 035_267	DRAWN SP/KT	<p>e: sally@sp-la.co.uk</p> <p>t: +44 (0) 7905 960155</p>