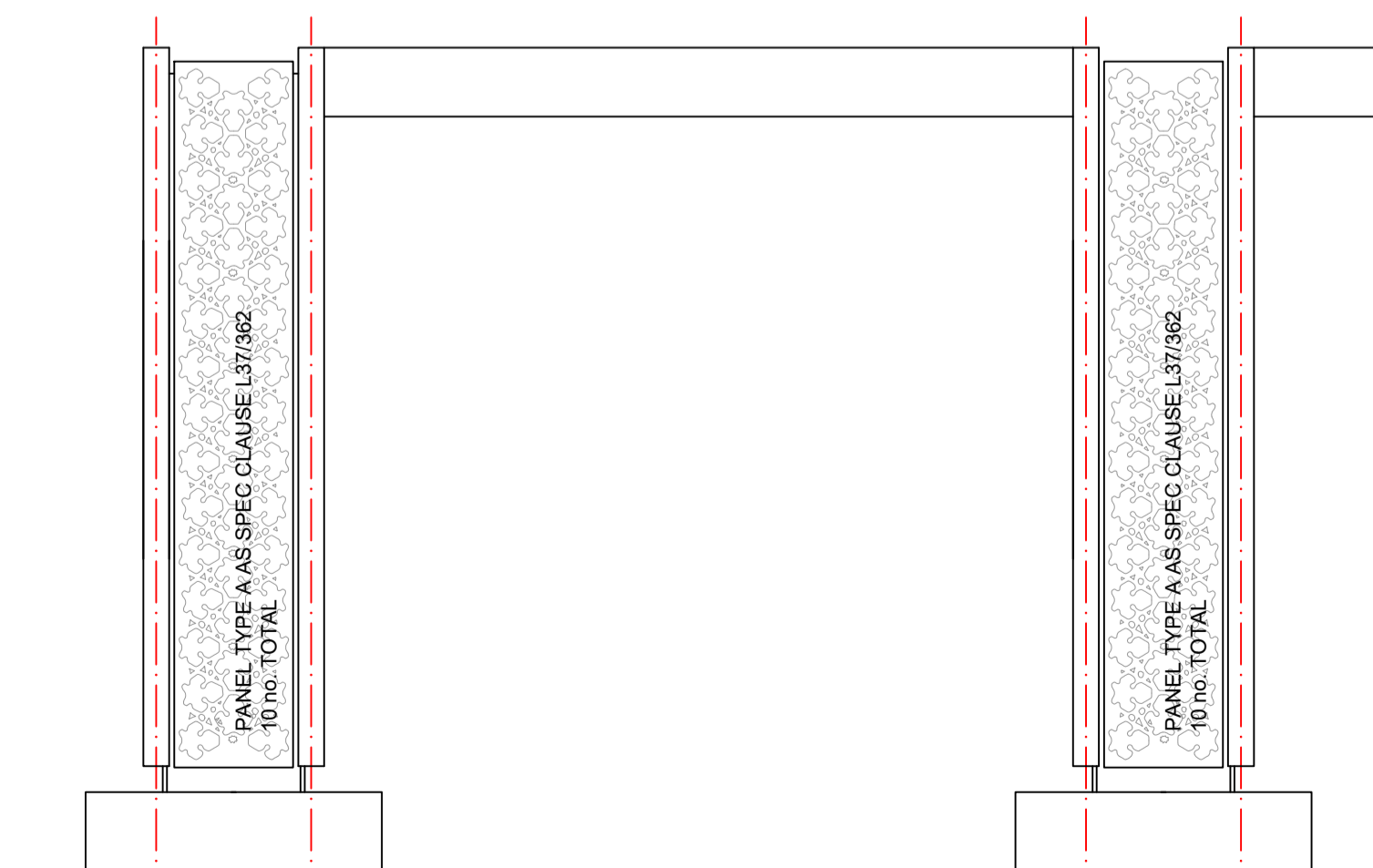
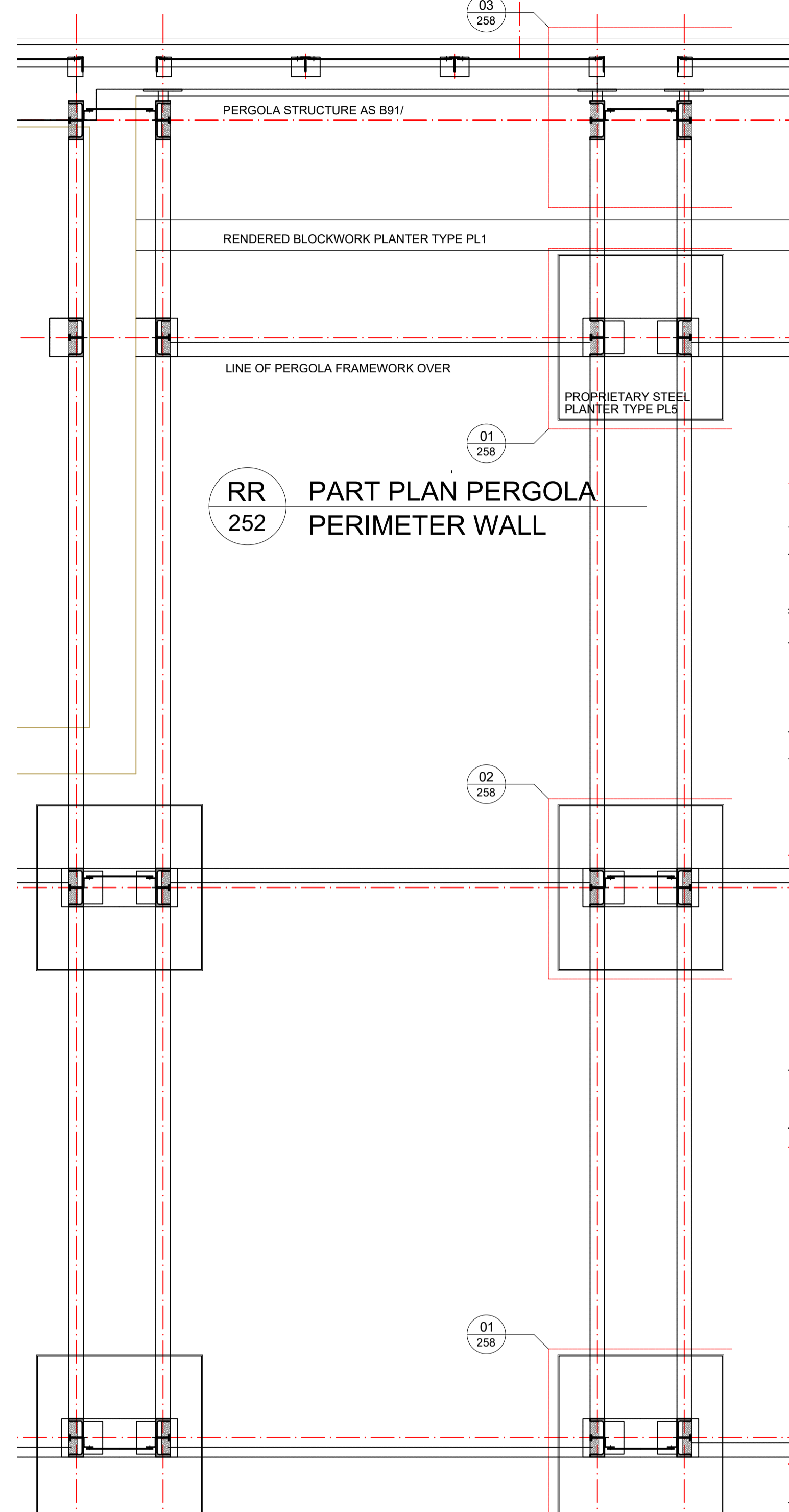


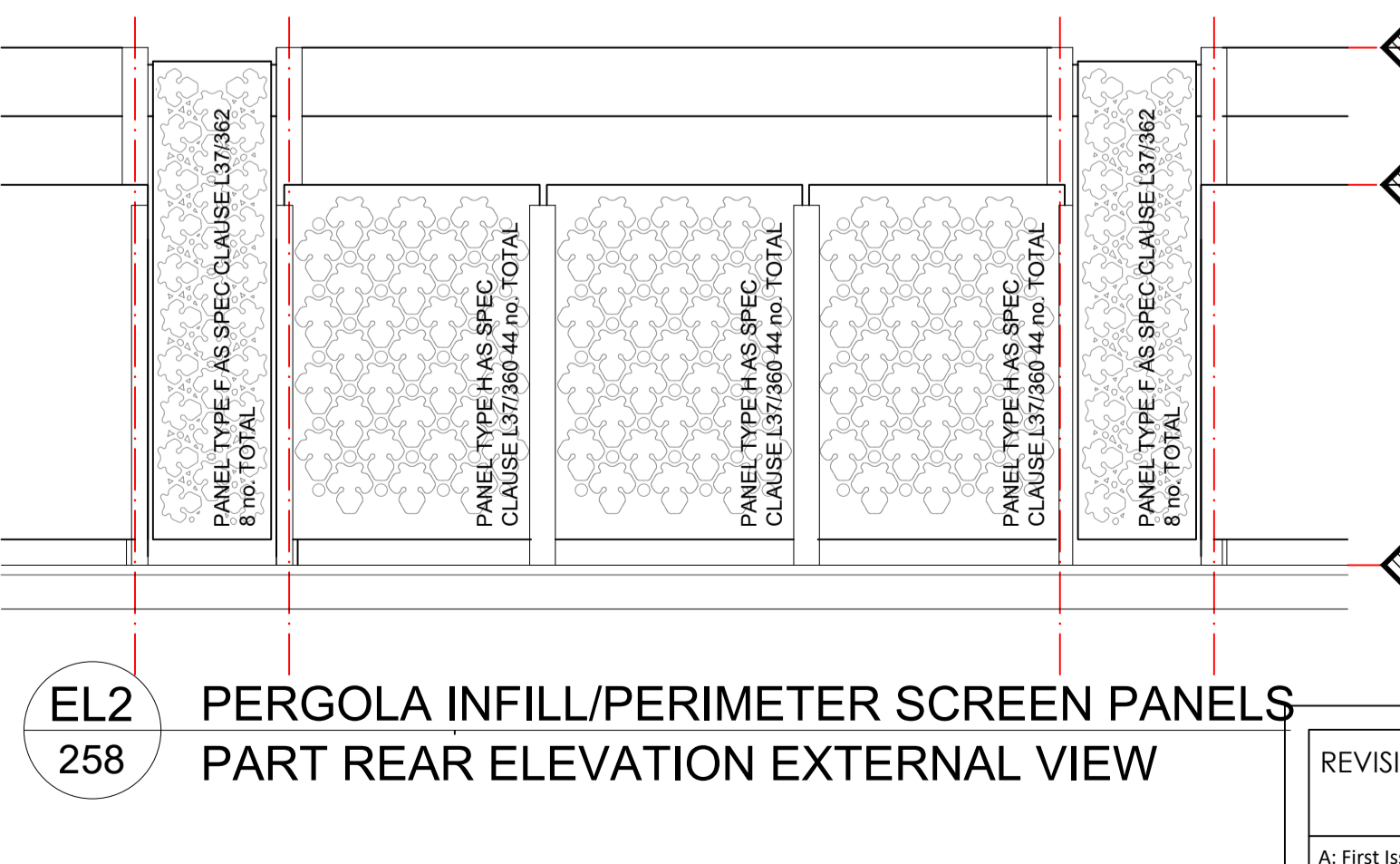
PP1 PART PERGOLA ROOF PLAN
258 SHOWING INFILL PANELS



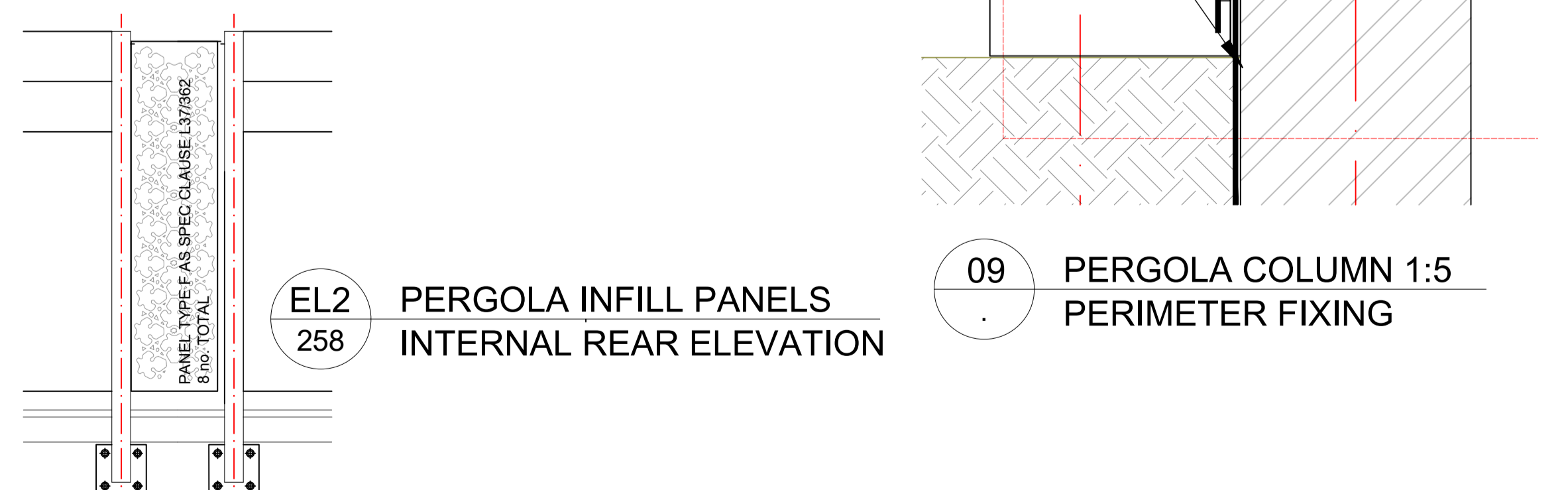
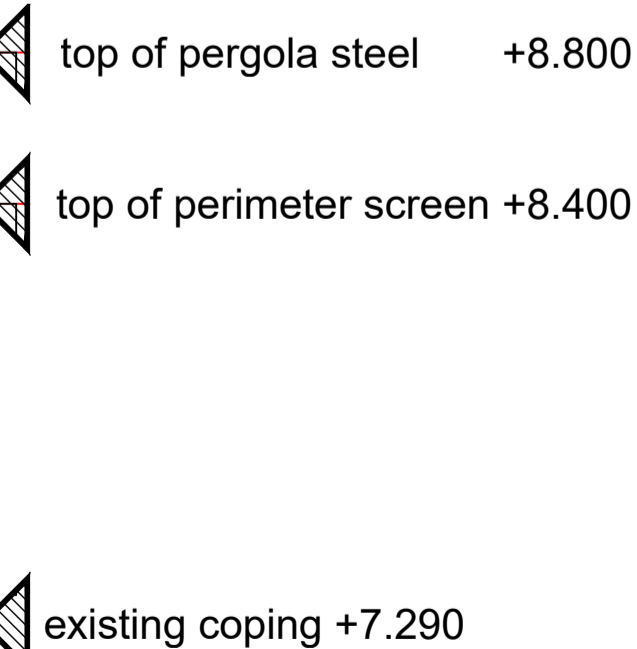
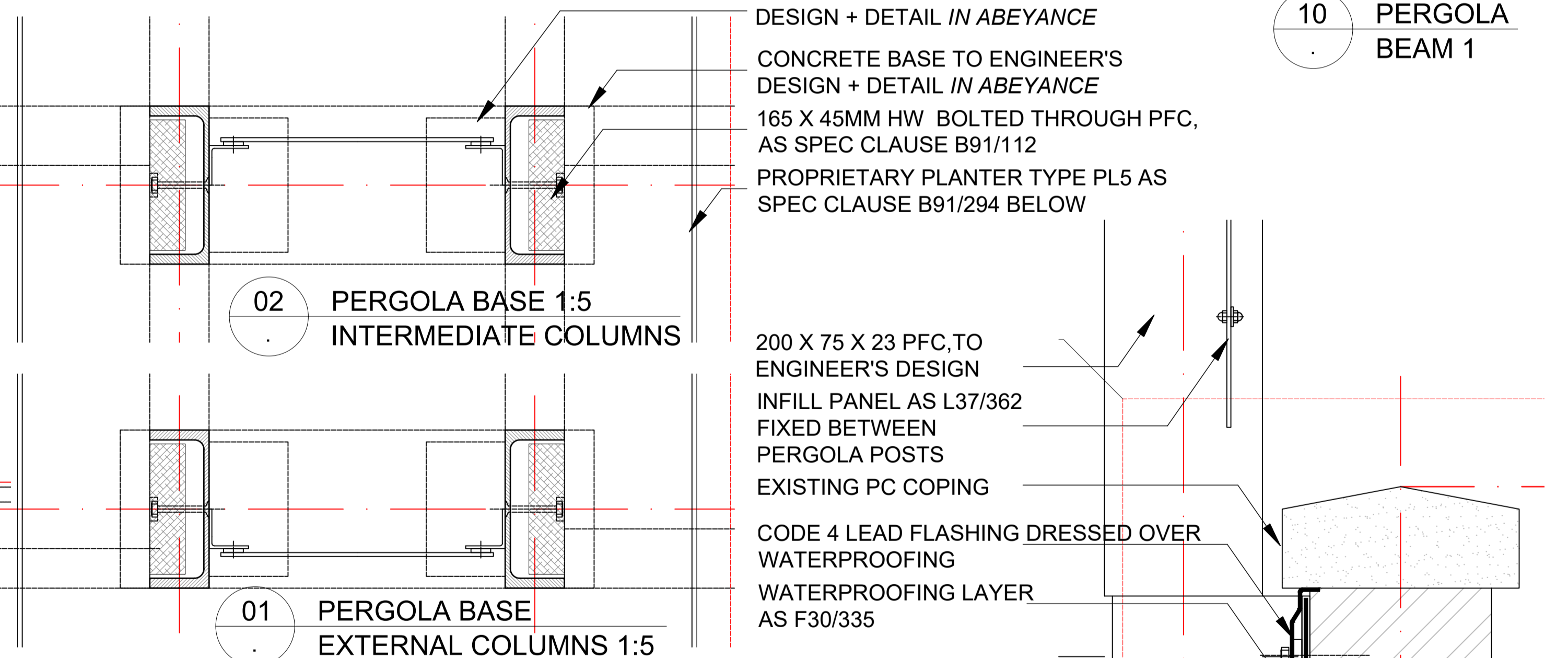
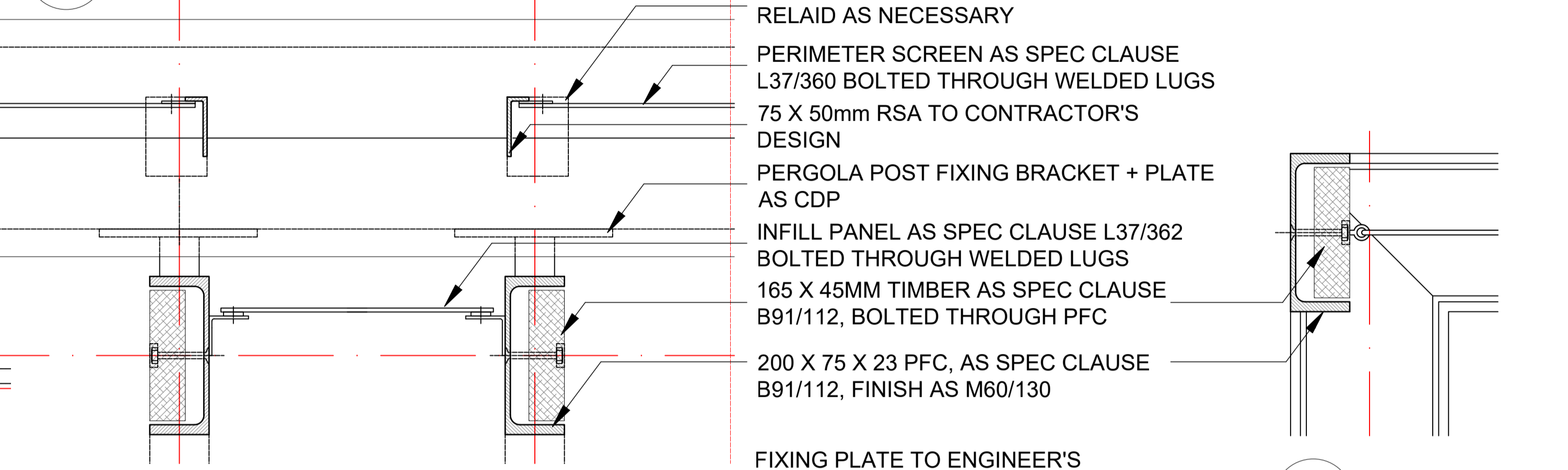
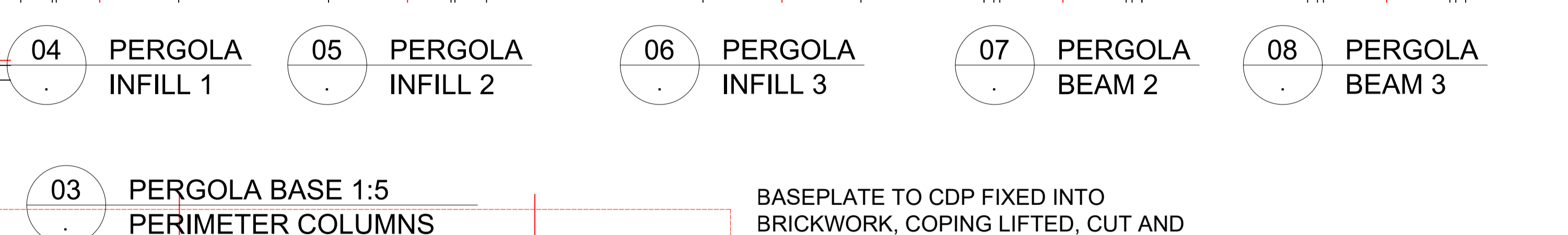
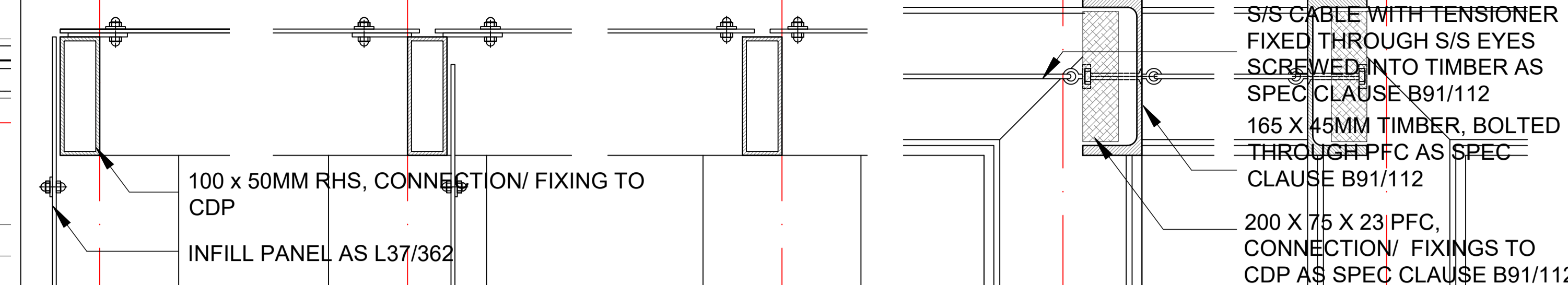
EL1 PERGOLA INFILL PANELS
258 PART FRONT ELEVATION



PP2 PART PLAN
258 PERGOLA TYPICAL BAY



EL2 PERGOLA INFILL/PERIMETER SCREEN PANELS
258 PART REAR ELEVATION EXTERNAL VIEW



Read in conjunction with Dwg No 035_242 for setting-out.
252 for detail locations + 241 for screen schedule.

REVISION	PROJECT	DOLPHIN SQUARE	CLIENT	AXA IM
A: First Issue: 01.09.21 - FOR DISCUSSION B: 14.9.21 Draft RIBA 4 issue C: 14.10.21 RIBA 4 issue D: 08.11.21 RIBA 4 Addendum Issue E: 16.11.21: ISSUE FOR PLANNING	DRAWING	Moroccan Garden Details sheet 5 : Pergola + Infill Panels	SCALE	1:20/5
	DRAWING NO.	035_258	DRAWN	KR

SALLY PROTHERO LANDSCAPE ARCHITECTURE
e: sally@sp-la.co.uk
t: +44 (0) 7905 960155