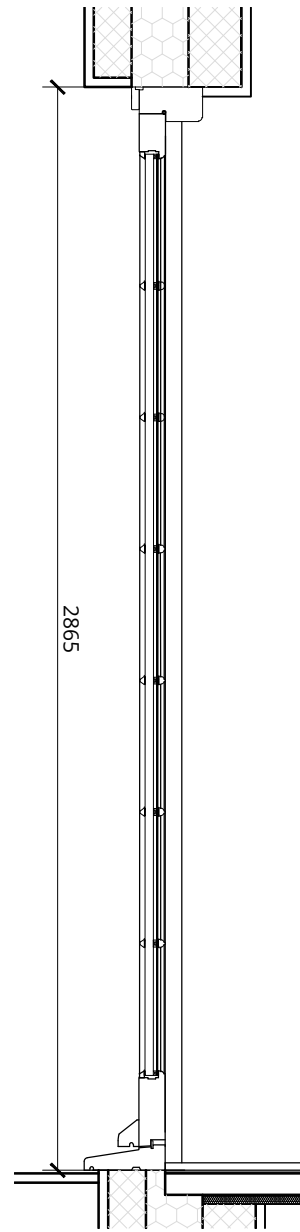
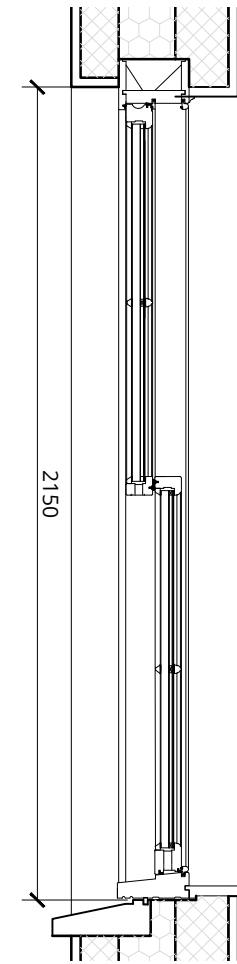




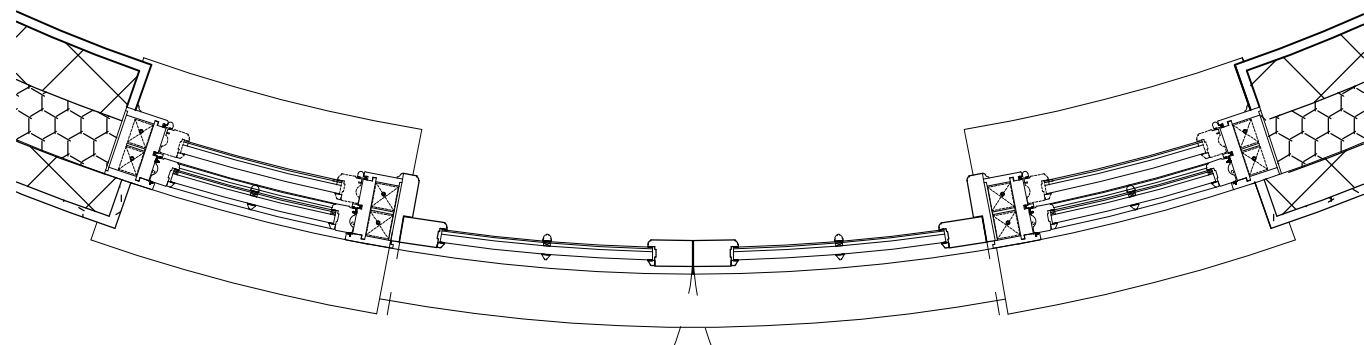
Typical Elevation
Scale 1:20



Typical Section - Door
Scale 1:20



Typical Section - Window
Scale 1:20



Typical Plan
Scale 1:20

**External Door
ELG-D07**

Existing timber framed doors to be replaced with new timber framed double glazed doors in a style to match existing. All profiles and timber mouldings to match existing. External glazing pane to be security rated glass.

**External Window:
WLG-05 & WLG-06**

New timber framed double glazed sash windows in a style to match existing found elsewhere. All profiles and timber mouldings to match existing. External glazing pane to be security rated glass.

Rev.	Description	Date	Rev.	Description	Date	Rev.	Description	Date
0	Discharge of Condition	27.11.2020						

