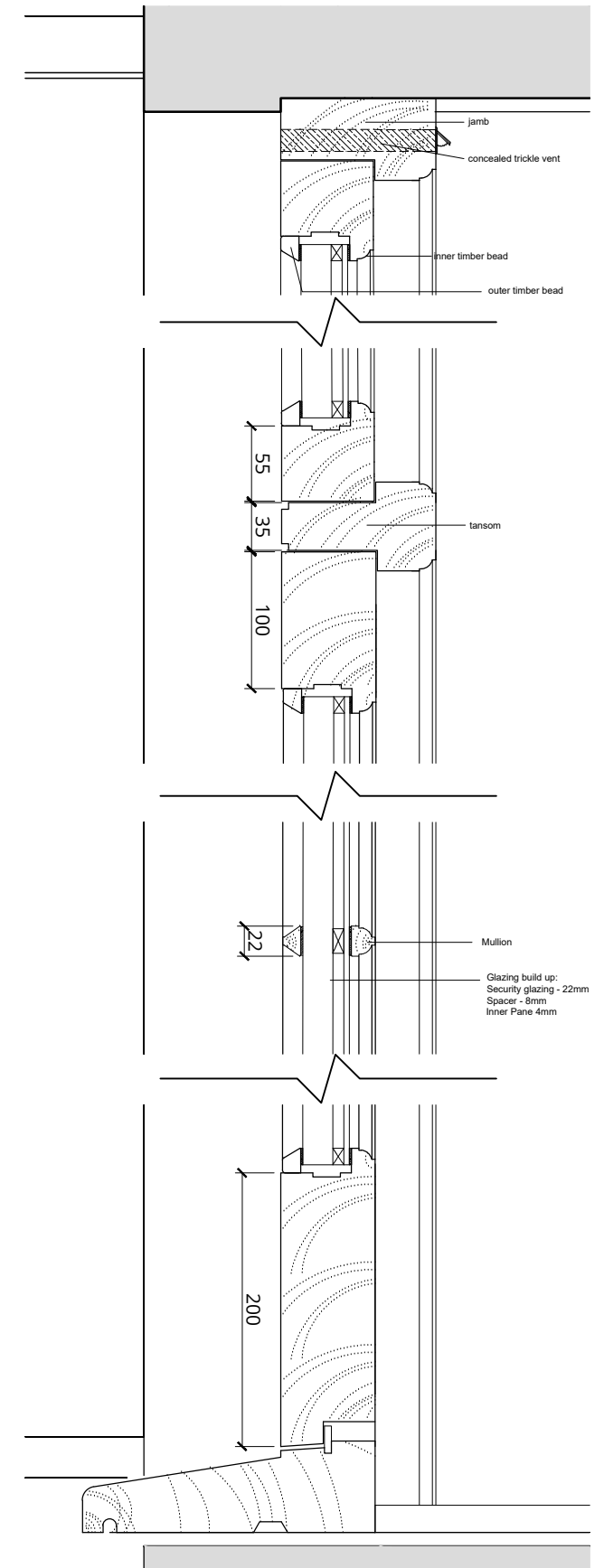


Typical Plan
Scale 1:5



Typical Section
Scale 1:5

Rev.	Description	Date	Rev.	Description	Date	Rev.	Description	Date
0	Discharge of Conditions	27.11.2020						

