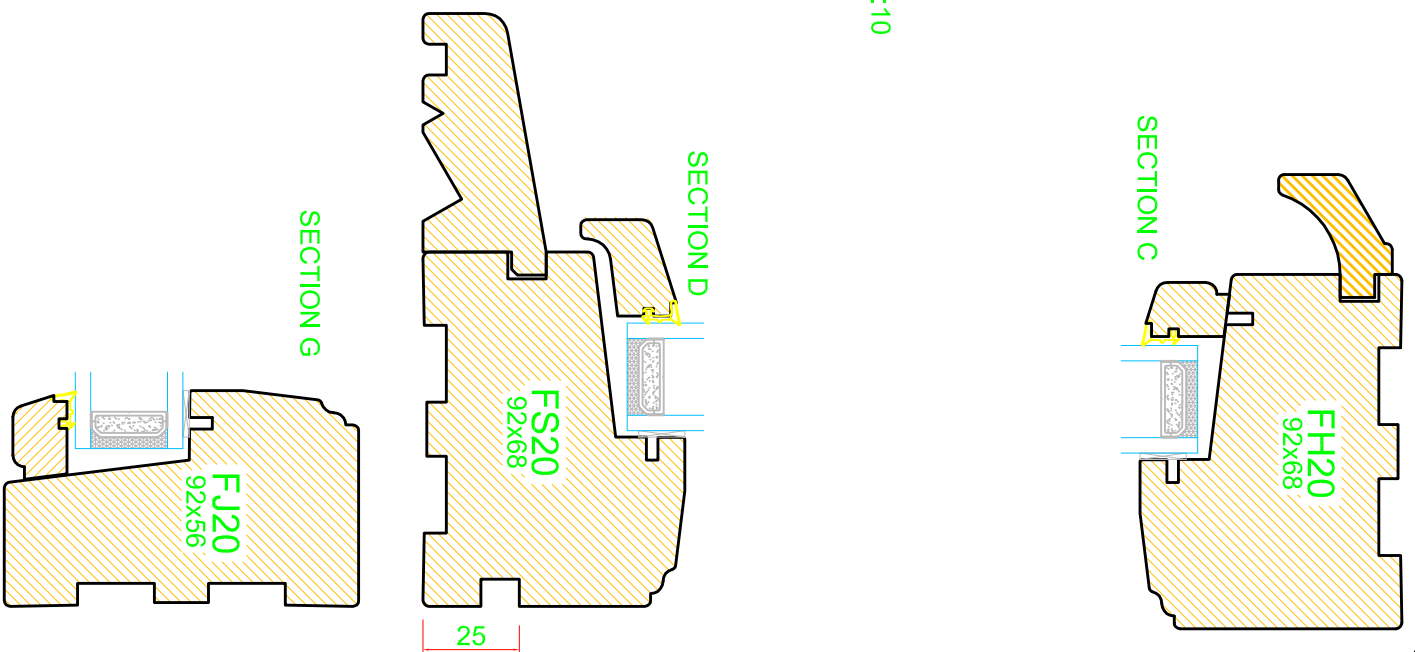
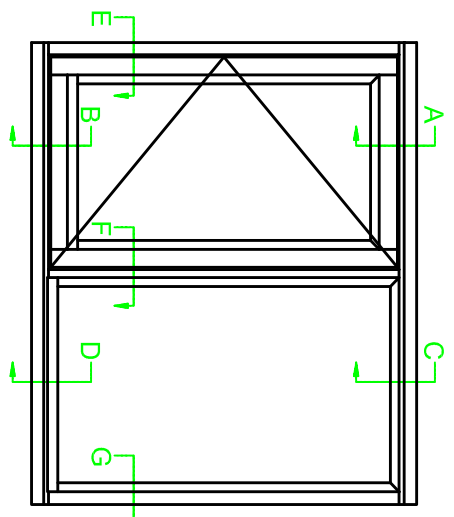
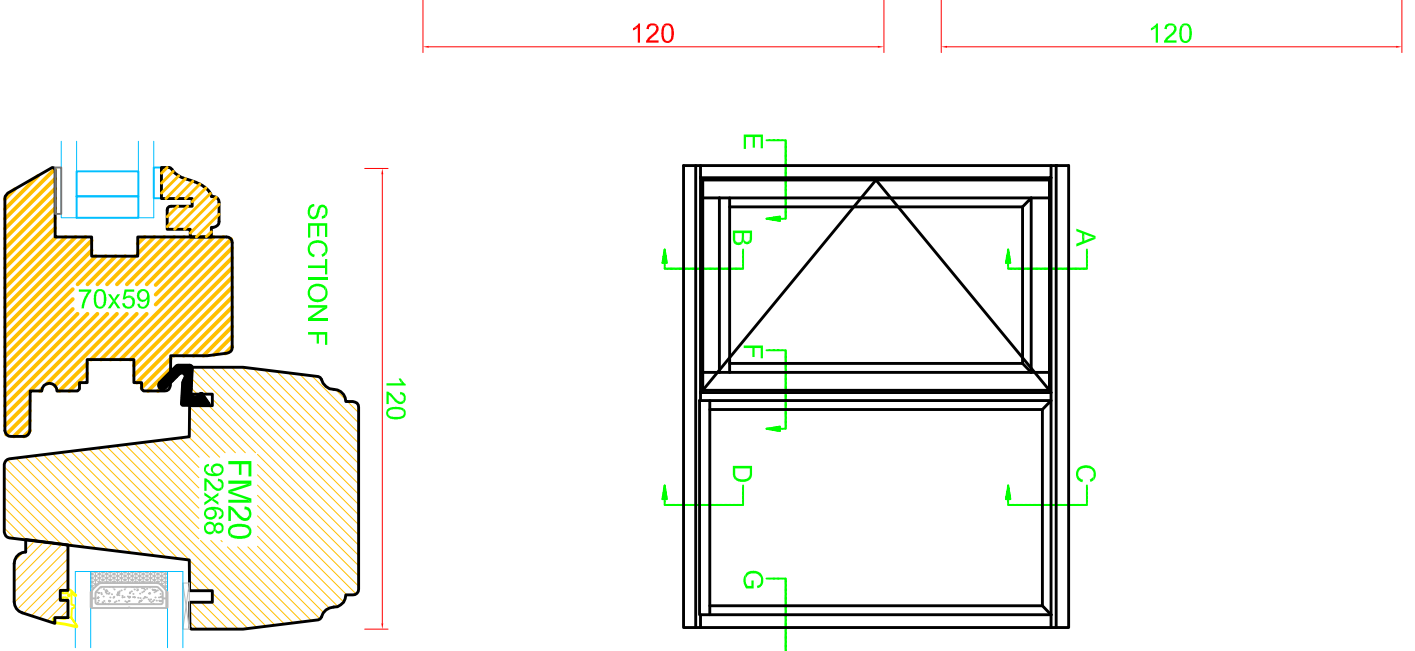
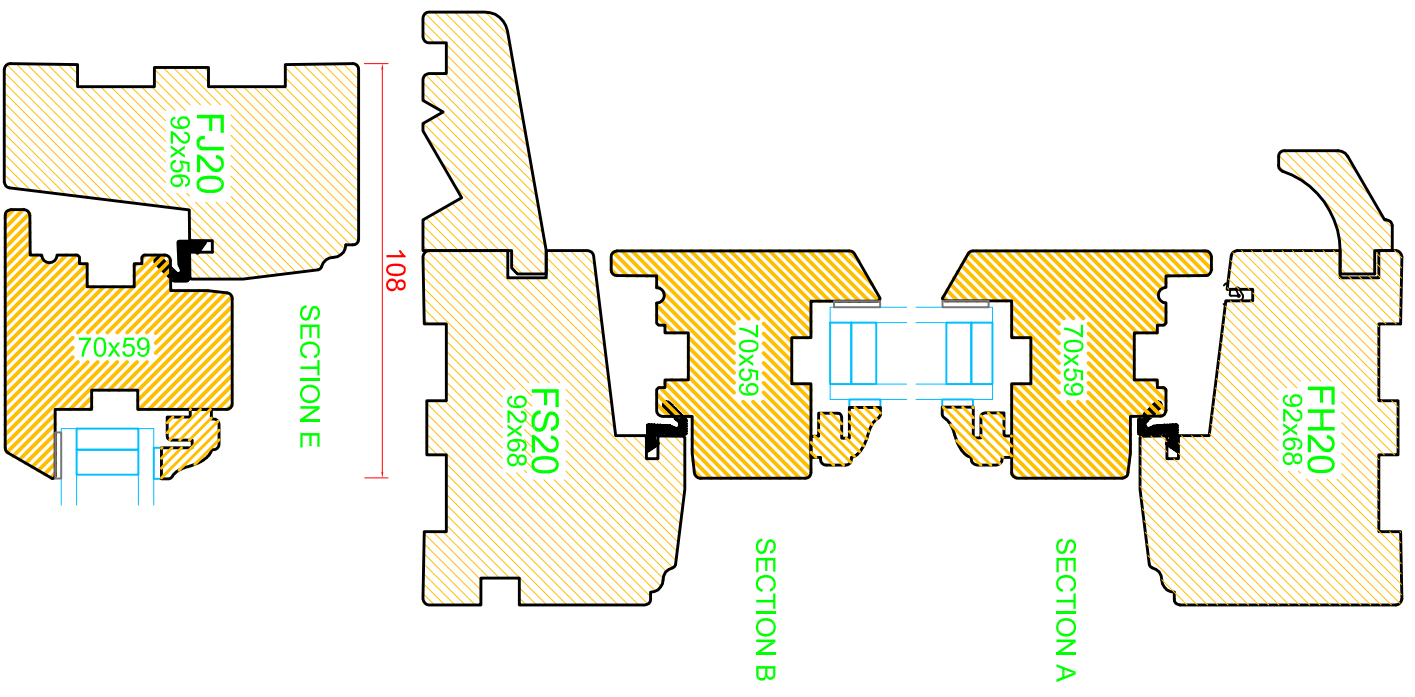


92mm FLUSH SECTIONS

DISC: ABC-1

DRN BY: NC
 CHECKED: NC
 DATE: 16/01/09
 ISSUE: 0



108

120

120

120

25