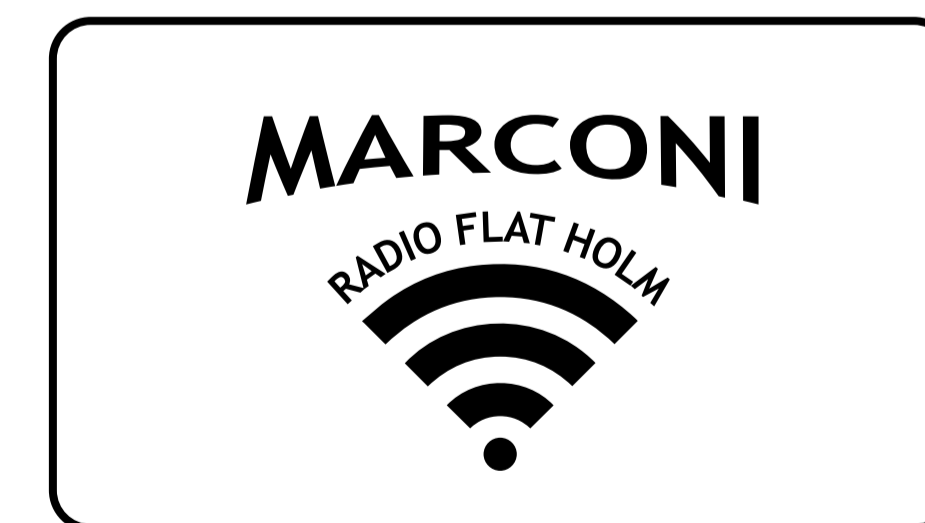
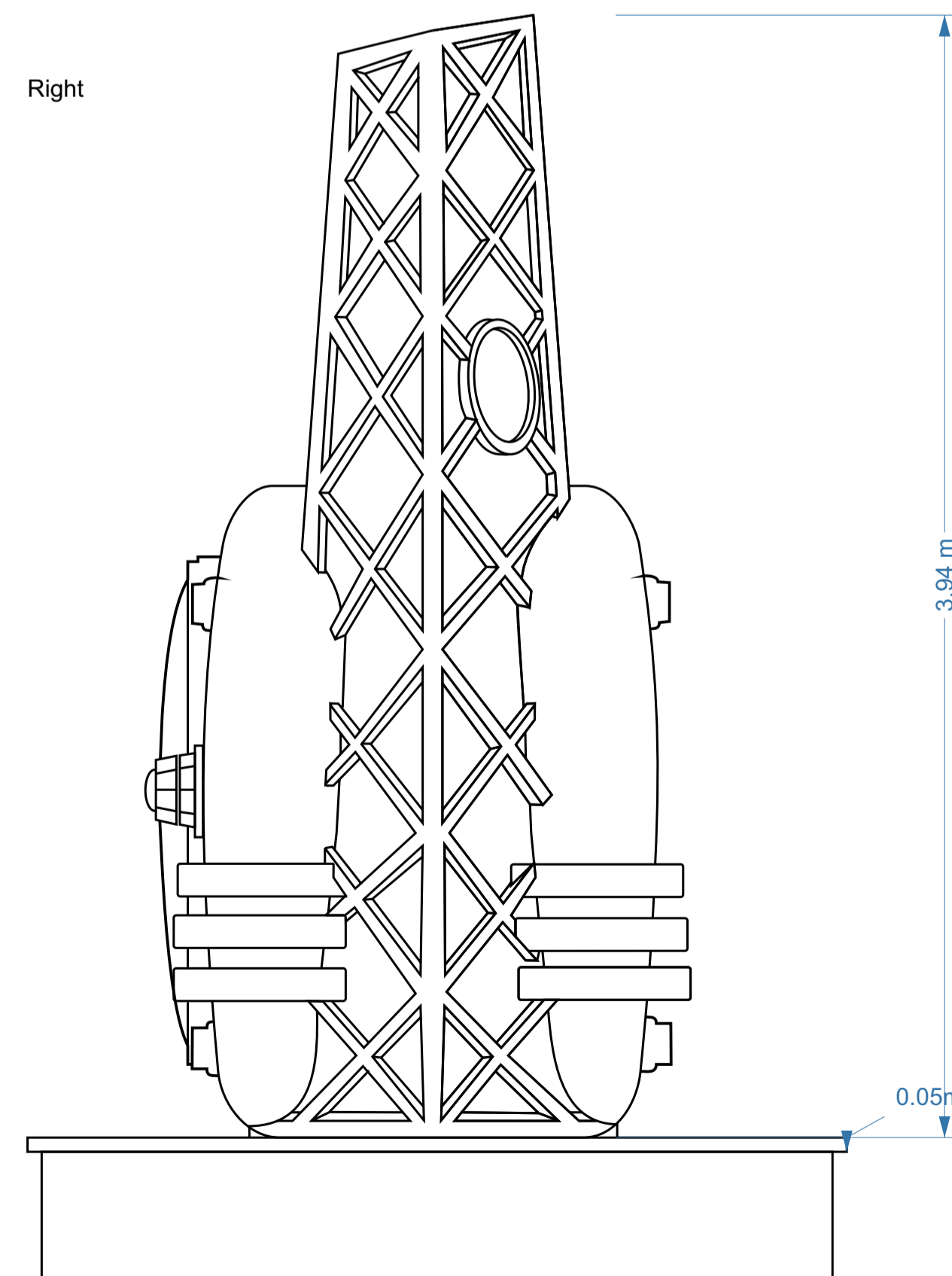
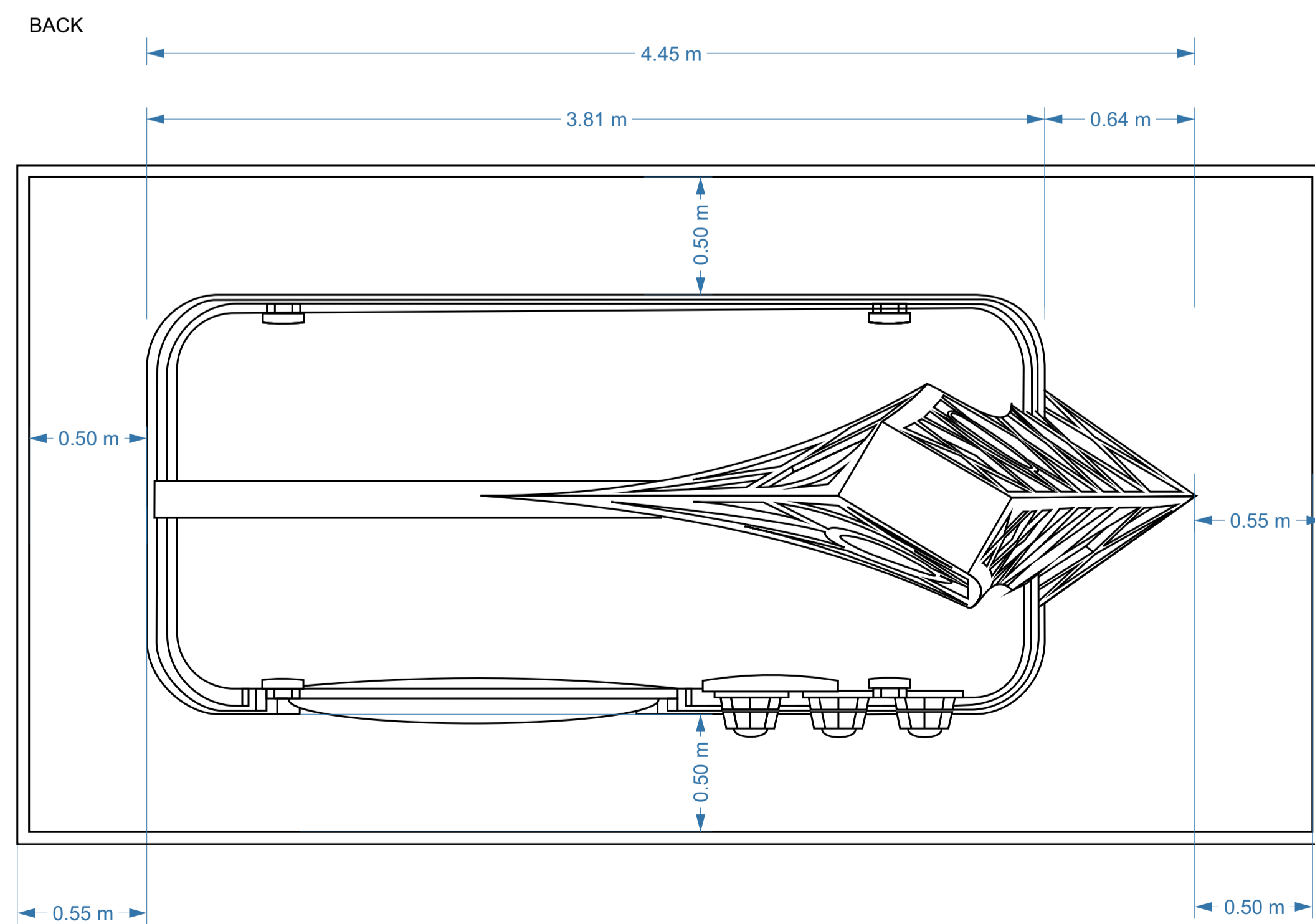
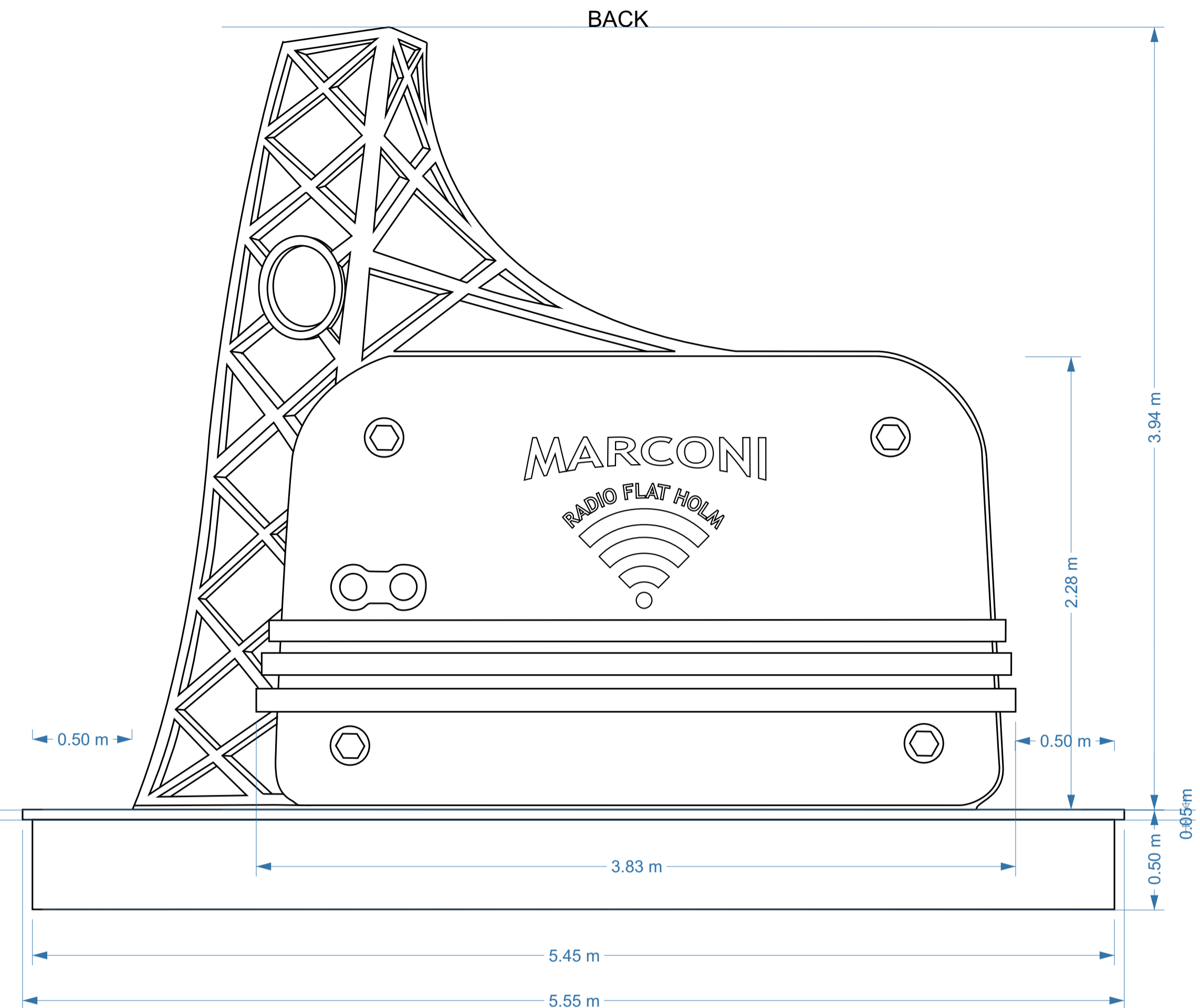
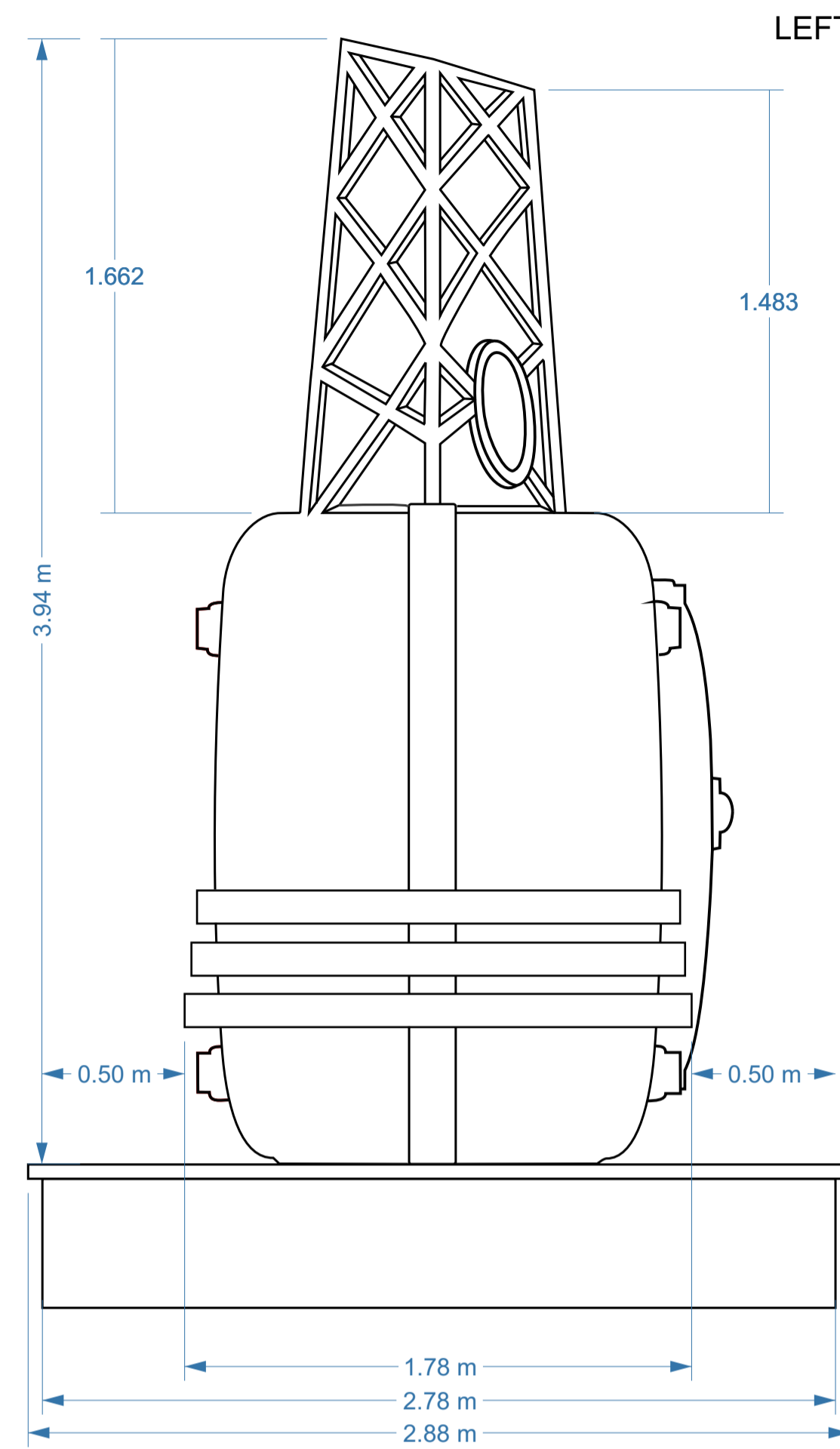
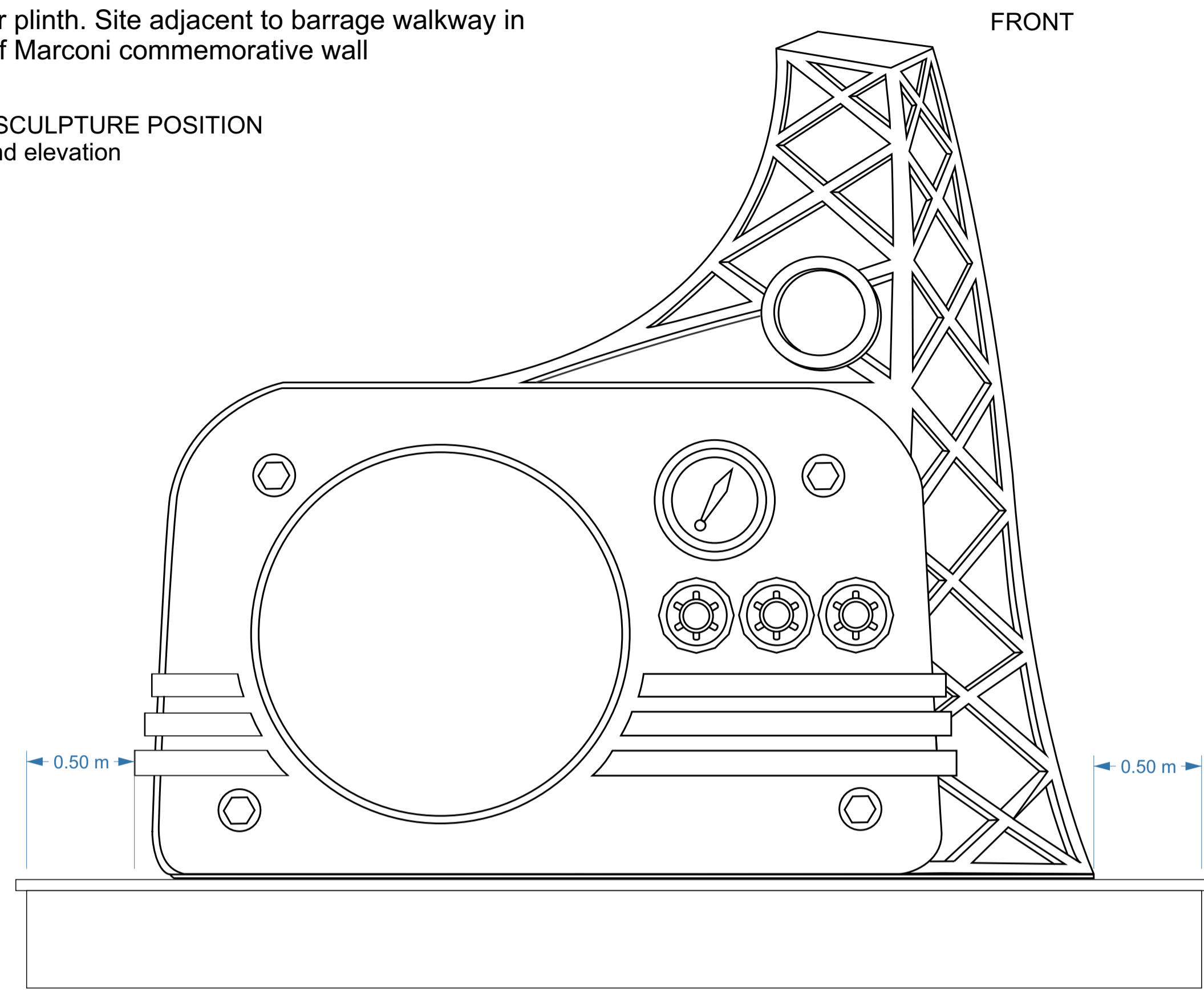


# RADIO FLAT HOLM

by Artstation

3D visualisation with indicative material and basic marker plinth. Site adjacent to barrage walkway in front of Marconi commemorative wall

BASE SCULPTURE POSITION  
Plan and elevation



A commission by Cardiff Council Barrage Management funded by NLHF.

Design for a sculpture and pathway thematically connecting visitors and users of Cardiff Bay Barrage to Flat Holm and Marconi heritage.

**Title:** ' Radio Flat Holm '

**Site:** Sea facing side of Scott memorial on Cardiff Bay barrage.

**Materials:** Sculpture - recycled stinkwood and jarra railway sleepers internal galvanised metal armature. Base - concrete recycled plastic

**Weight:** sculpture - below 3 tonne  
**Weight:** base - below 5 tonne

**Copyright:** Concept and Design by Artstation

**Contact:**  
Co Director/ Creative Lead Glenn Davidson  
Artstation

glenn@artstation.org.uk

# RADIO FLAT HOLM

by Artstation

3D visualisation with indicative material and basic marker plinth. Site adjacent to barrage walkway in front of Marconi commemorative wall



A commission by Cardiff Council Barrage Management funded by NLHF.

Design for a sculpture and pathway thematically connecting visitors and users of Cardiff Bay Barrage to Flat Holm and Marconi heritage.

**Title:** ' Radio Flat Holm '

**Site:** Sea facing side of Scott memorial on Cardiff Bay barrage.

**Materials:** Sculpture - recycled stinkwood and jarra railway sleepers internal galvanised metal armature. Base - concrete recycled plastic

**Weight:** sculpture - below 3 tonne  
**Weight:** base - below 5 tonne

**Copyright:** Concept and Design by Artstation

**Contact:**  
Co Director/ Creative Lead Glenn Davidson  
Artstation

glenn@artstation.org.uk