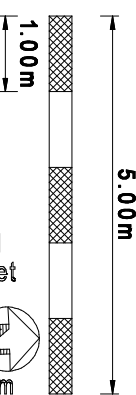


ALL DIMENSIONS IN MM'S

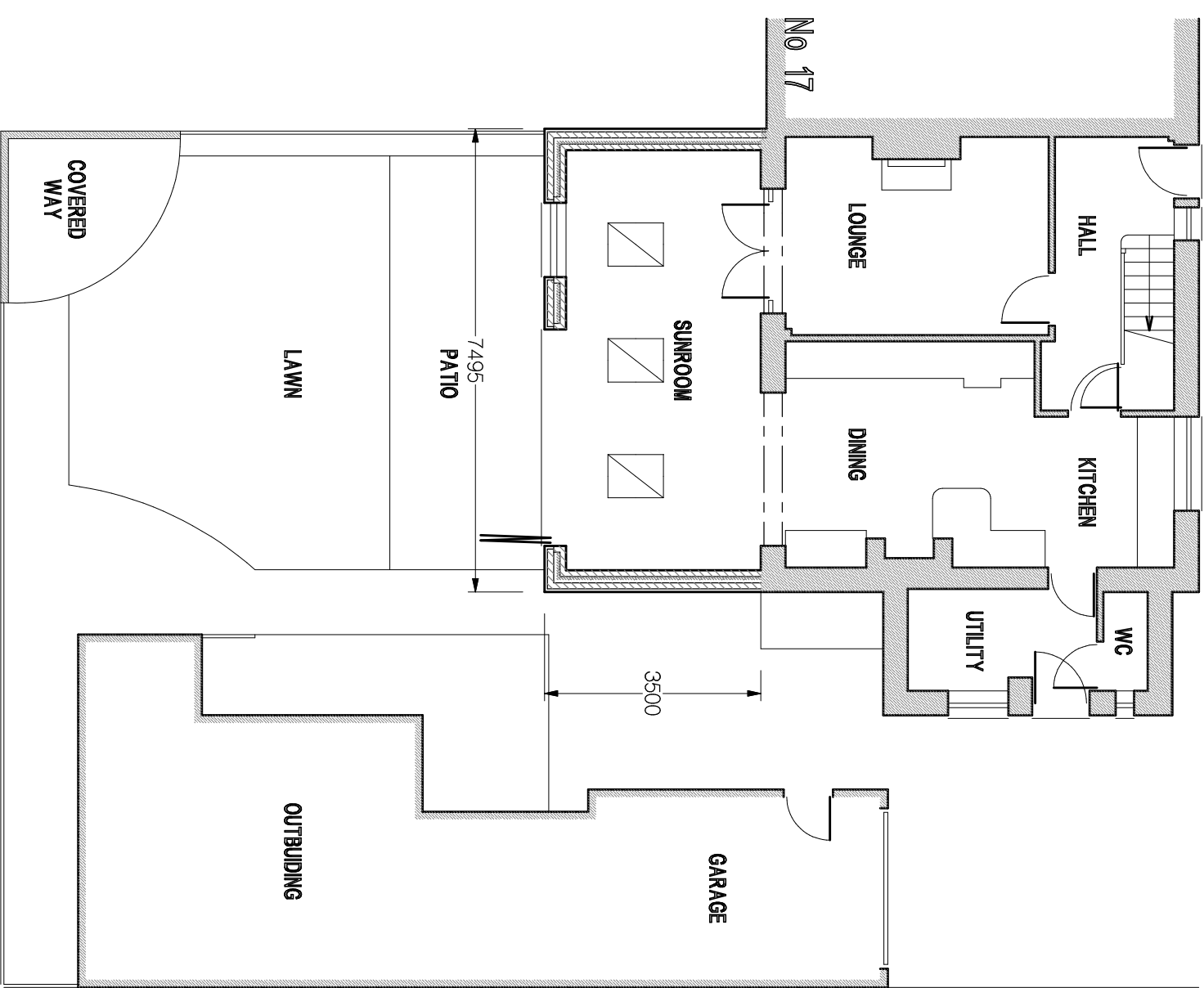
595/4



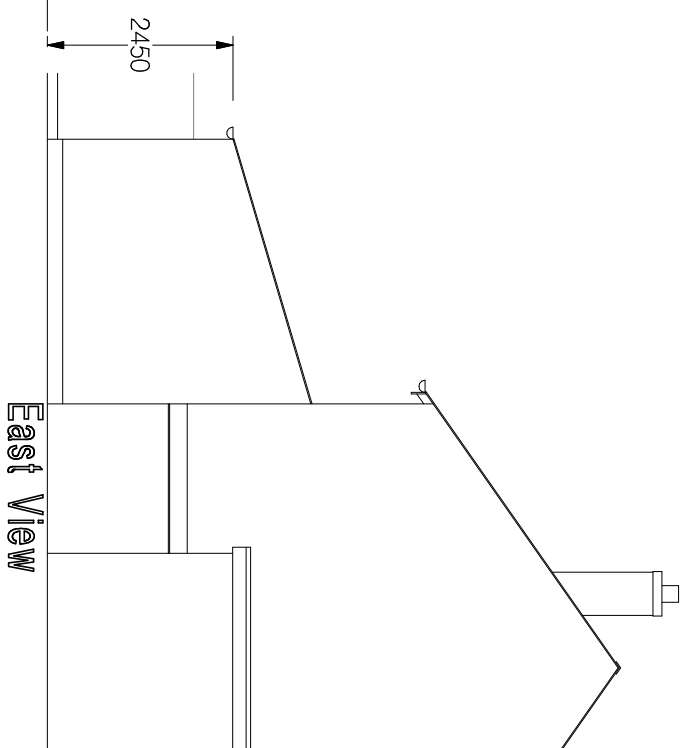
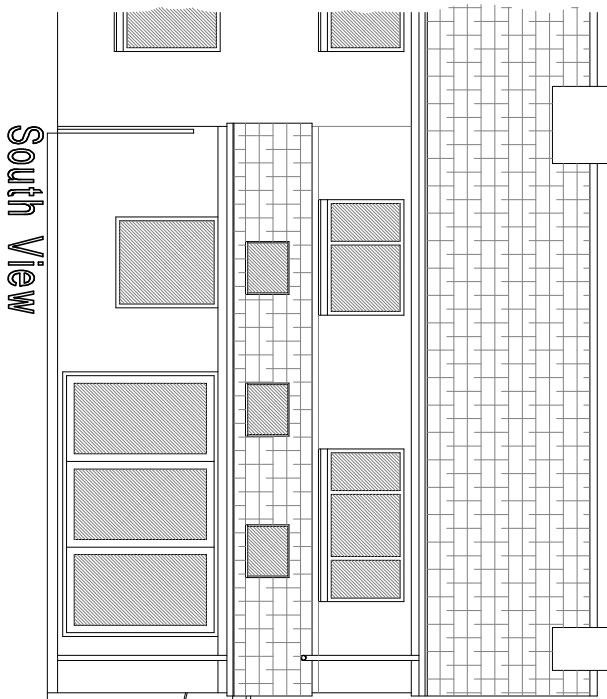
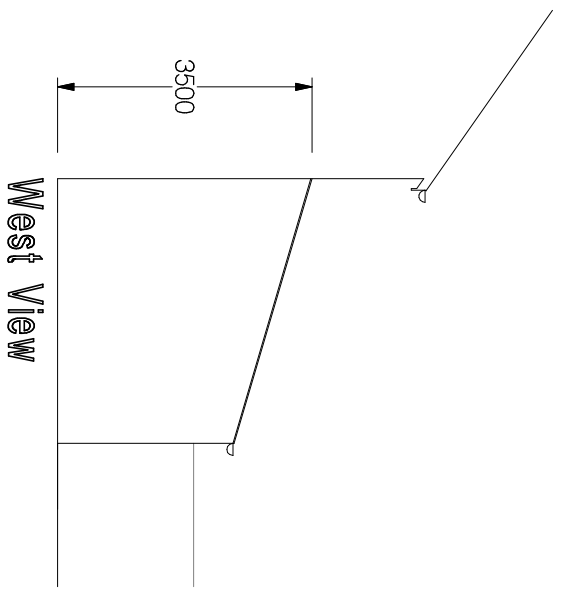
ALL EXTERNAL MATERIALS TO MATCH EXISTING PREMISES:  
 ROOF - BLUE SLATE  
 WALLS - SMOOTH COLOURED 'K-REND'  
 WINDOW - WHITE UPVC  
 BI-FOLD DOOR - WHITE POWDER COATED ALUMINIUM  
 RAINWATER GOODS - BLACK PVC

No 19

No 17



Ground Floor Layout



proposed extension & alterations  
 18 Park Avenue  
 HELLIFIELD BD23 4EZ

Robert W Hodgkiss  
 The Drawing Board (UK) Ltd  
 Lychgate House, Church Street  
 Long Preston, Skipton  
 BD23 4NJ  
 0770 921 4450  
 robert@thedrawingboarduk.com

scale : 1/100  
**PROPOSED LAYOUT**