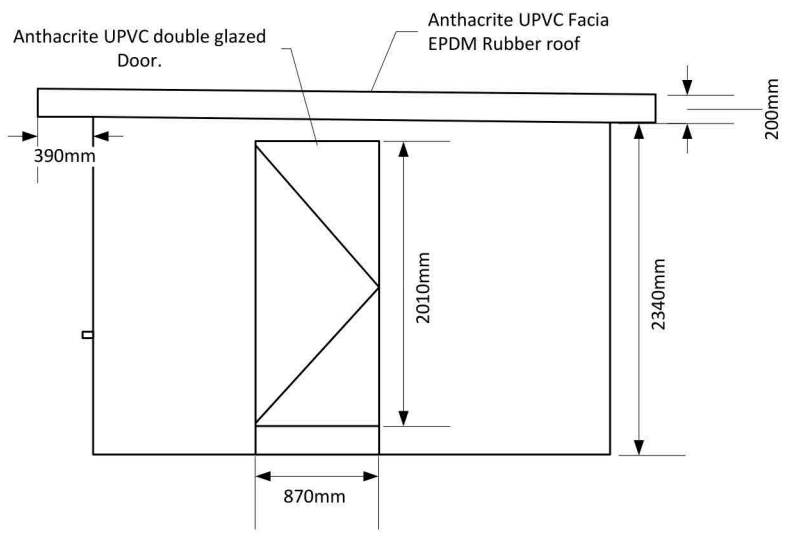
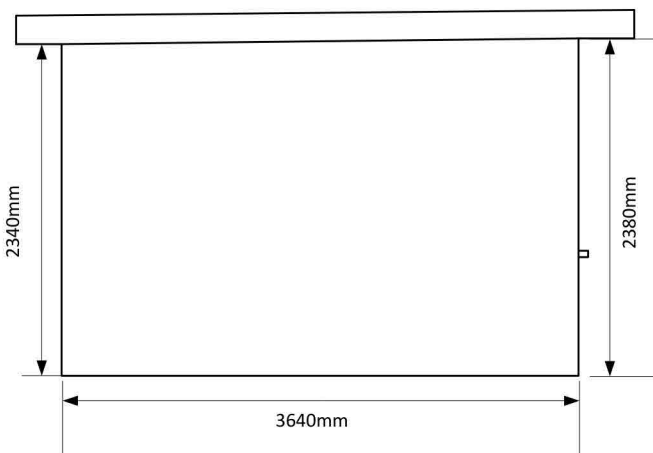


Title:  
Garden Room Elevation  
Garden Room Planning  
permission

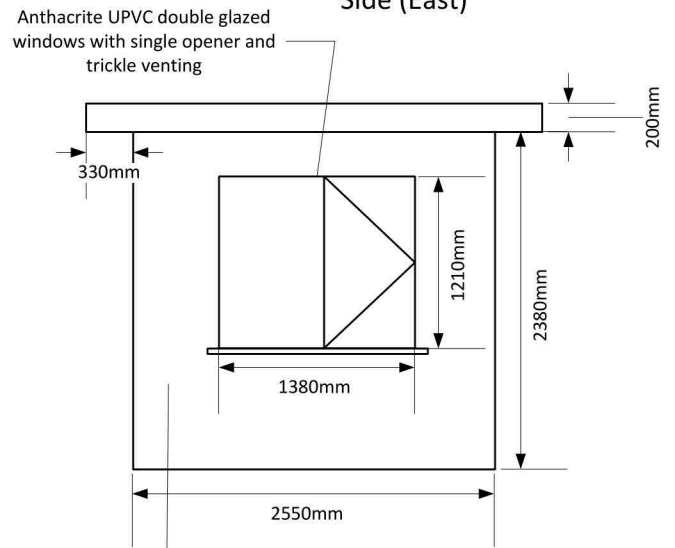
MR S MURRAY  
24 Westmill Road  
Lasswade  
Edinburgh EH181LX



Side (East)

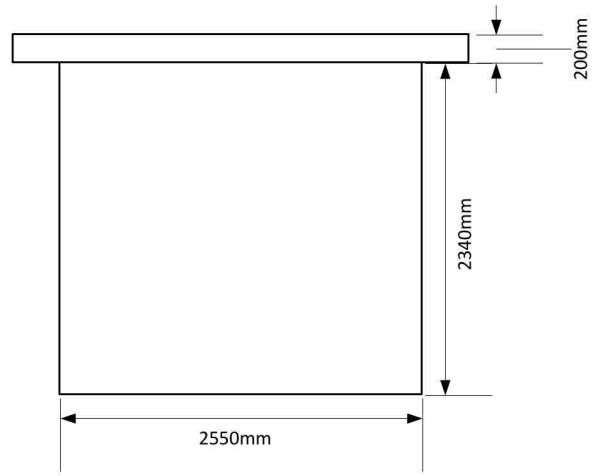


Side (West)

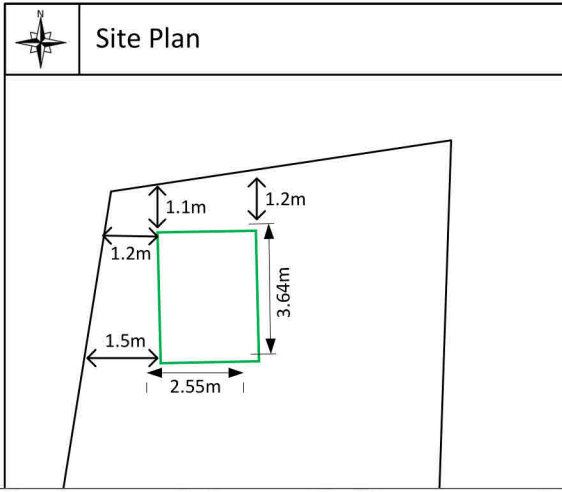


Front (South)

Sustainable scottish Larch  
cladding untreated and hung  
vertically to blend with  
woodland backdrop.



Back (North)



This copy has been made by or with the authority of Midlothian Council pursuant to Section 47 of the Designs and Patents Act 1988. Unless that Act provides a relevant exception to copyright, the copy must not be copied without the prior permission of the copyright owner.

