

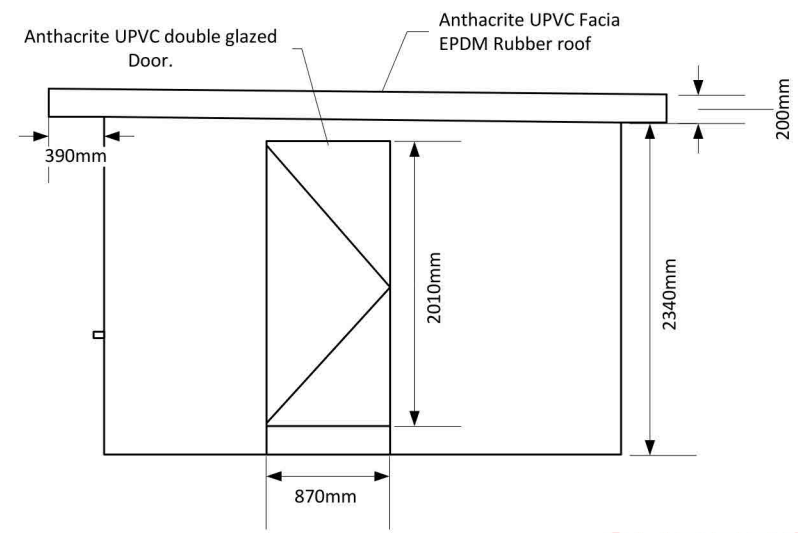
This copy has been made by or with the authority of Midlothian Council pursuant to Section 47 of the Designs and Patents Act 1988. Unless that Act provides a relevant exception to copyright, the copy must not be copied without the prior permission of the copyright owner.



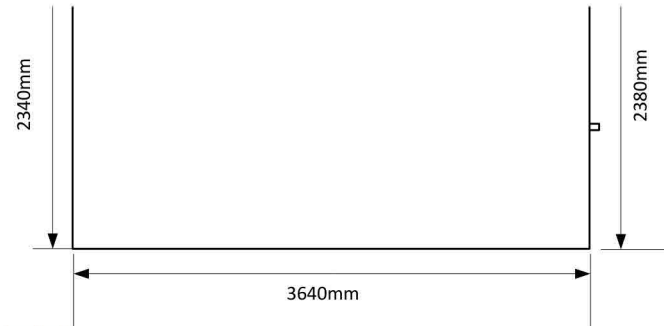
Title:
Garden Room Elevation
Garden Room Planning
permission

MR S MURRAY
24 Westmill Road
Lasswade
Edinburgh EH181LX

Scale: 1:50

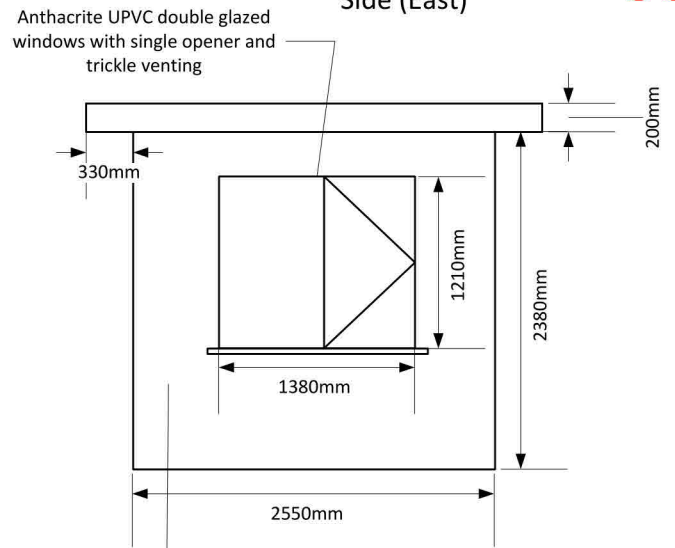


Side (East)

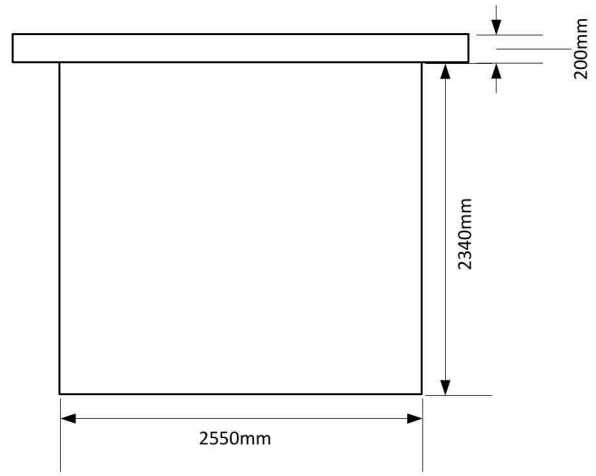


Side (West)

SUPERSEDED

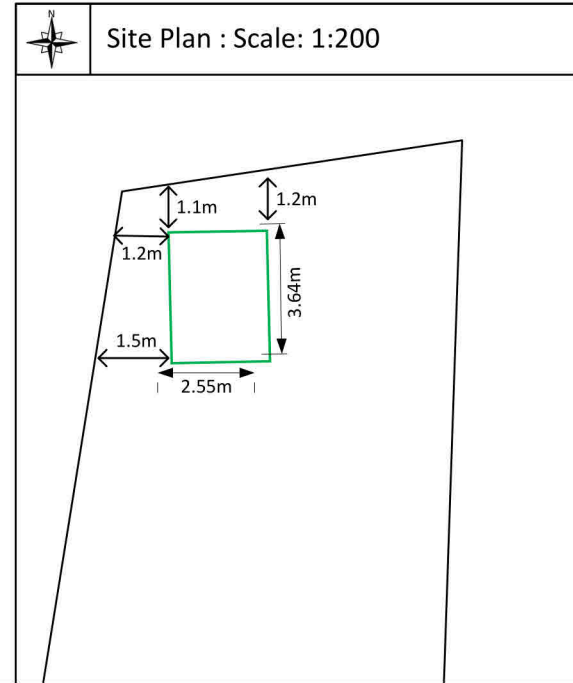


Front (South)



Back (North)

Sustainable scottish Larch cladding untreated and hung vertically to blend with woodland backdrop.



Site Plan : Scale: 1:200