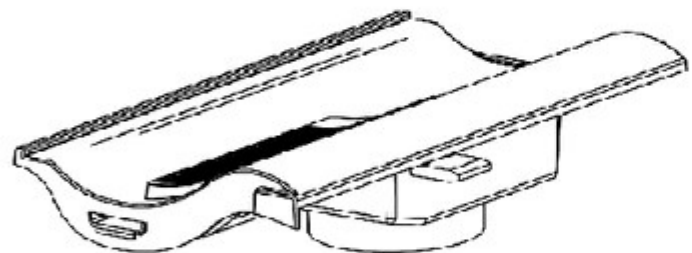
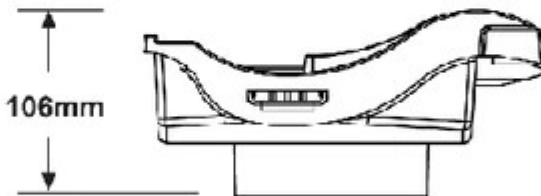
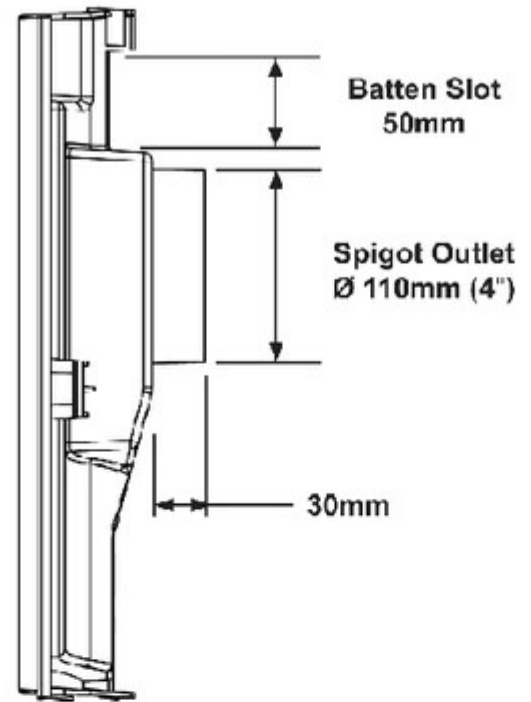
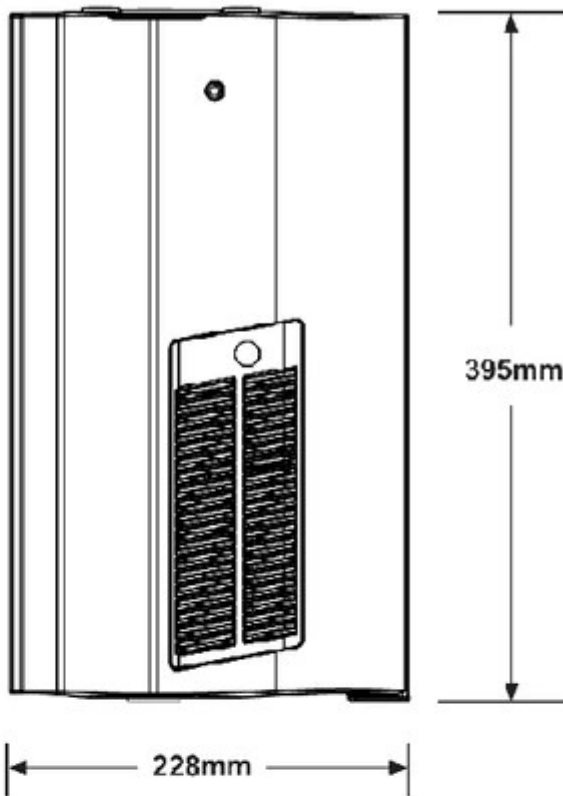


# Tile Ventilator Range - Single Pantile

CODE GTV-SP



Required Ventilation	Vent Spacing
5,000 mm <sup>2</sup> /m	Install at 1.0m centres
10,000 mm <sup>2</sup> /m	Install at 0.5m centres
25,000 mm <sup>2</sup> /m	Install at 0.2m centres

Tile Compatibility
<p><b>Marley Anglia</b></p> <p><b>Redland Fenland</b></p> <p><b>Sandtoft Shire</b></p>

References
<p>BSI: BS 5250:2011 Control of Condensation in Building</p> <p>BSI: BS 5534:2014 Code of Practice for Slate and Tiling</p> <p>BSI: BS 490:2004 Concrete tiles and fittings for roof covering</p> <p>BRE: prEN 15601</p> <p>Building Regulations 2010</p> <p>NHBC: Good Craftsmanship Guides</p>

Installation Overview
<p>The vent is laid in a straight bond format, taking the place of single tile with no need to cut the tiling battens.</p> <p>The vent should not be installed on a roof pitch below 20 degrees.</p>