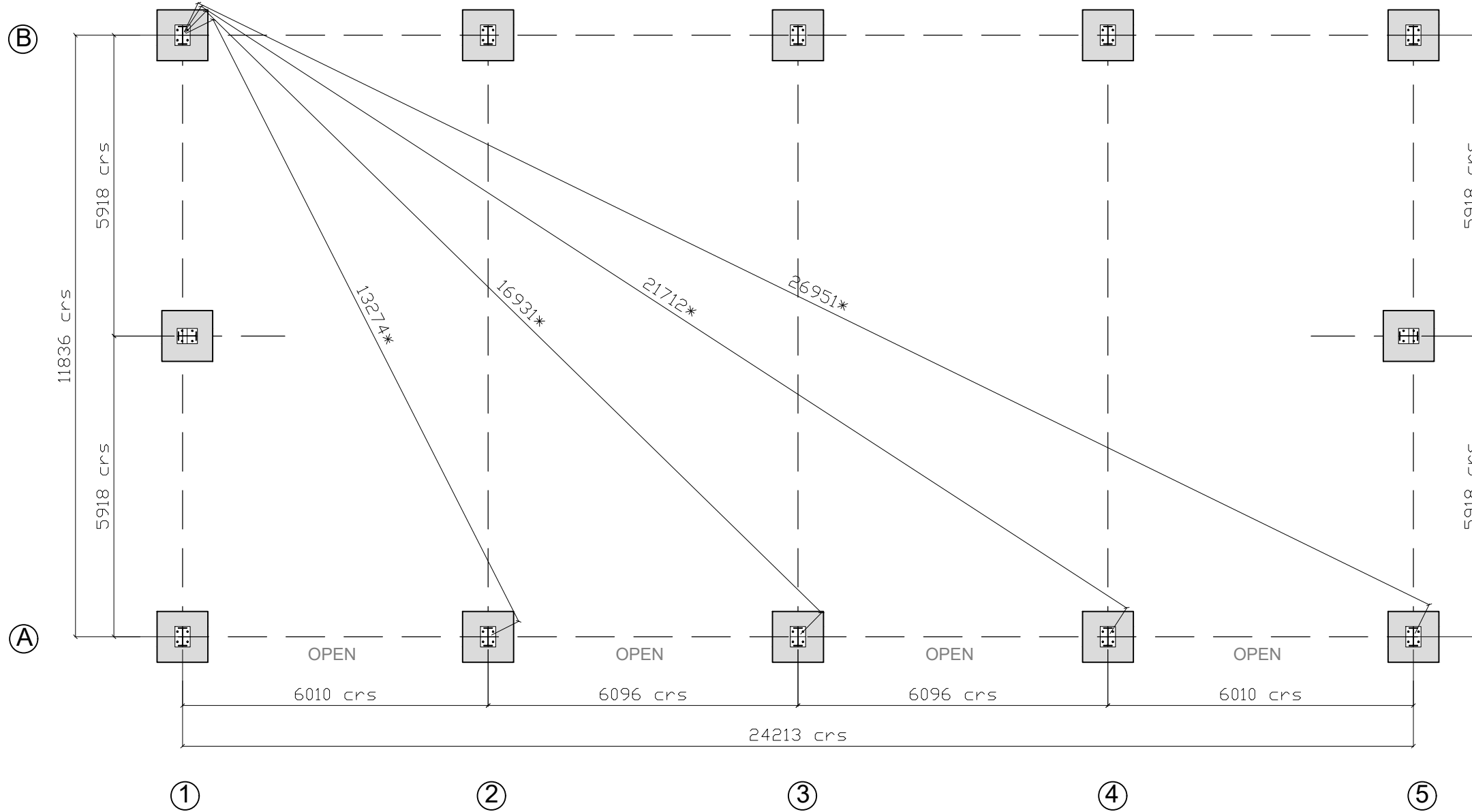
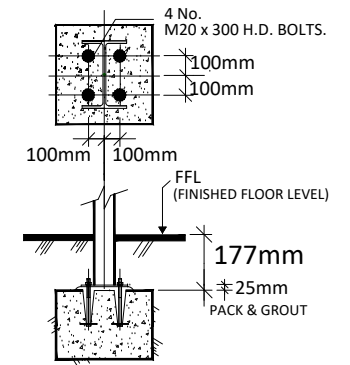


24.384m x 12.192m x 6.096m BUILDING ON 356mm x 171mm x 45kg UB STANCHIONS

AGRICULTURE FOUND DETAILS



4 BOLT DETAIL



FOUNDATION DETAIL WITHOUT RWP

N.B. FFL IS TO BE LEVEL

NOTE.

FOUNDATION PAD SIZES ARE NOT STATED/SUPPLIED DUE TO VARYING SITE CONDITIONS. PLEASE CONTACT US IF YOU REQUIRE STRUCTURAL ENGINEER DESIGN/CERTIFICATION FOR THE BUILDING.

FOUNDATION DEPTHS ARE ALTERED TO ALLOW FOR BENDS TO RAINWATER DOWNPIPES, PLEASE ENSURE THEY ARE SHOWN IN THE CORRECT REQUIRED POSITION AS THEY CANNOT BE MOVED AT A LATER DATE.

ANY BUILDING WHICH IS ATTACHED TO AN EXISTING SHED, EAVES DETAIL AND HEIGHT, BAY CENTRES AND STEEL SIZES MUST BE MEASURED, AS THIS INFORMATION IS REQUIRED FOR THE MANUFACTURE OF YOUR BUILDING.

DIMENSIONS MARKED * ARE CHECK DIMENSIONS ONLY

SITE ADDRESS:
 BURRADON FARM
 MORPETH
 NORTHUMBERLAND
 NE65 7HF

CONTACT:
MR N FORSTER
 MORPETH

TITLE:
FOUNDATION DRAWING

PLEASE NOTE NO ASSUMPTION SHOULD BE MADE IN RESPECT TO ANY CONSTRUCTIONAL DETAILS FROM THIS DRAWING. ALL DIMENSIONS ON THIS DRAWING MUST BE CONSIDERED APPROXIMATE. VARIATIONS MAY OCCUR DURING DETAILING. DRAWING PRODUCED FOR PLANNING PURPOSES ONLY. DO NOT SCALE. IF IN DOUBT ASK

CLIENT:
 MR N FORSTER
 BURRADON FARM

MORPETH
 NORTHUMBERLAND
 NE65 7HF

DRWN BY: A GOWAN
CHK'D BY: A ROBB
A3 SCALE: NTS

REVISIONS:

REV.	DATE	DESCRIPTION	BY

DRG. No. RS22-2320A-0000-01

DATE: 05-04-22
DATE: 05-04-22

ROBINSONS
 Grow • Respect • Inspire • Trust • Deliver

Broomhouses 2 Industrial Estate
 Glasgow Road
 Lockerbie
 DG11 2SD
 Tel: 01576 205 905
 Fax: 01576 204 466
 Drawing Office: 01606 330 227