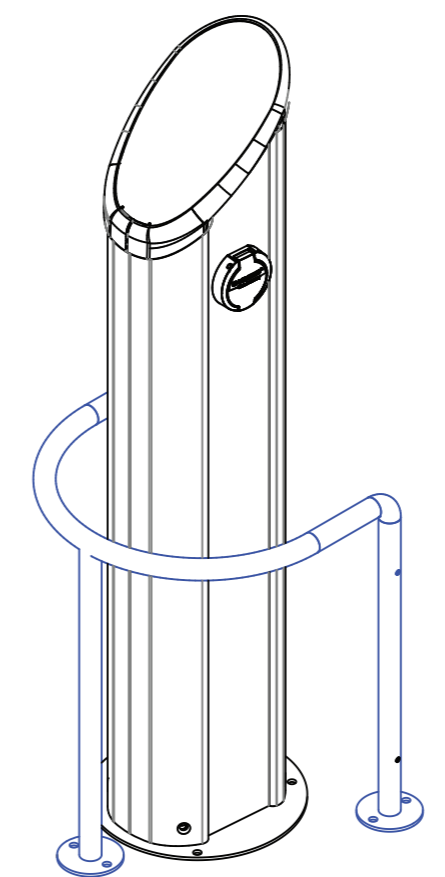


FRONT VIEW

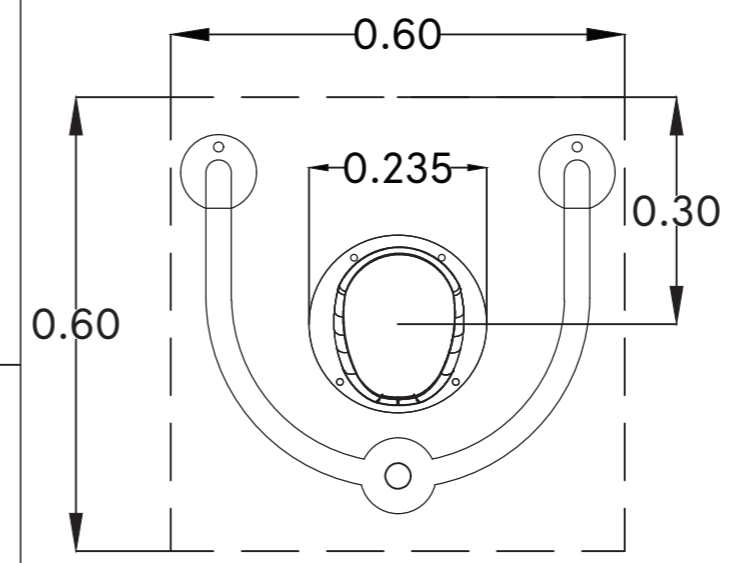
SIDE VIEW



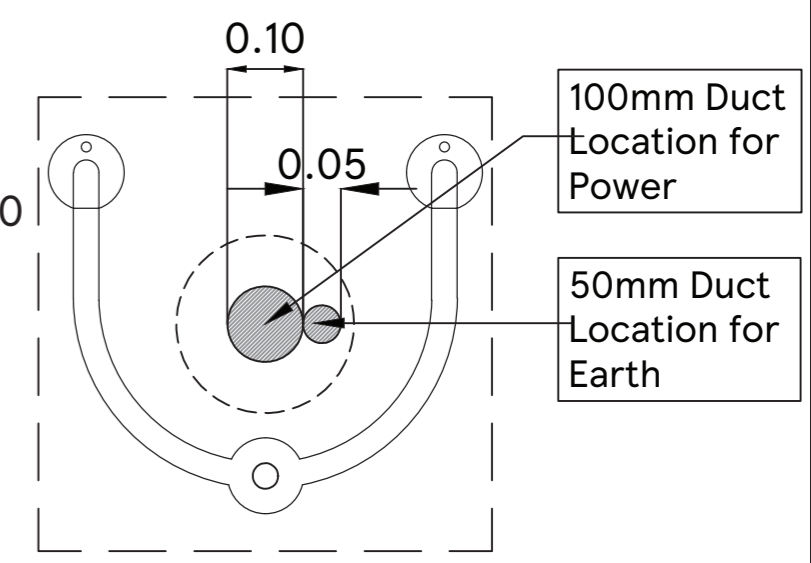
ISOMETRIC VIEW



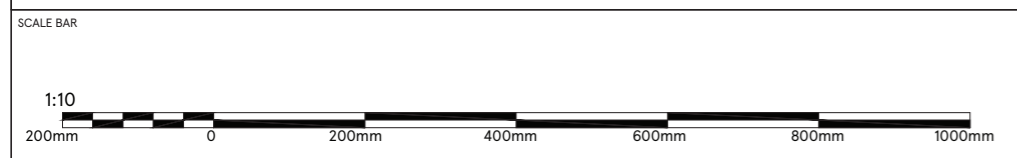
RAL 9003



PLAN VIEW



PLAN VIEW - WITH DUCT DETAILS



SCALE	DATE
1:10@A3	19.01.2021
CHECKED BY	
ANDY HORWOOD	
DRAWN BY	
SHIKHA	

DETAIL TYPE
TYPICAL UNIT & DUCT DETAILS
DETAIL NAME
FAST CHARGER CHARGER DETAIL

TESCO
 FEASIBILITY PLANNING
 STORE PLANNING DEPARTMENT
 PROPERTY SERVICES
 HIGHWOODS BUILDING, KESTREL WAY
 WELWYN GARDEN CITY, HERTFORDSHIRE, AL7 1GB UK
 TELEPHONE : 01707 395150

THE COPYRIGHT AND ALL OTHER RIGHTS IN AND RELATING TO THIS PUBLICATION BELONG TO AND ARE THE SOLE PROPERTY OF TESCO STORES LIMITED. ALL RIGHTS ARE RESERVED. NEITHER THE WHOLE NOR ANY PARTS OF THIS PUBLICATION MAY BE REPRODUCED OR TRANSMITTED IN ANY FORM OR BY ANY ELECTRONIC OR MECHANICAL MEANS INCLUDING PHOTOCOPIING AND RECORDING OR FROM ANY RETRIEVAL SYSTEM WITHOUT THE PRIOR WRITTEN LICENCE FROM THE OWNER © 2017 TESCO STORES LIMITED