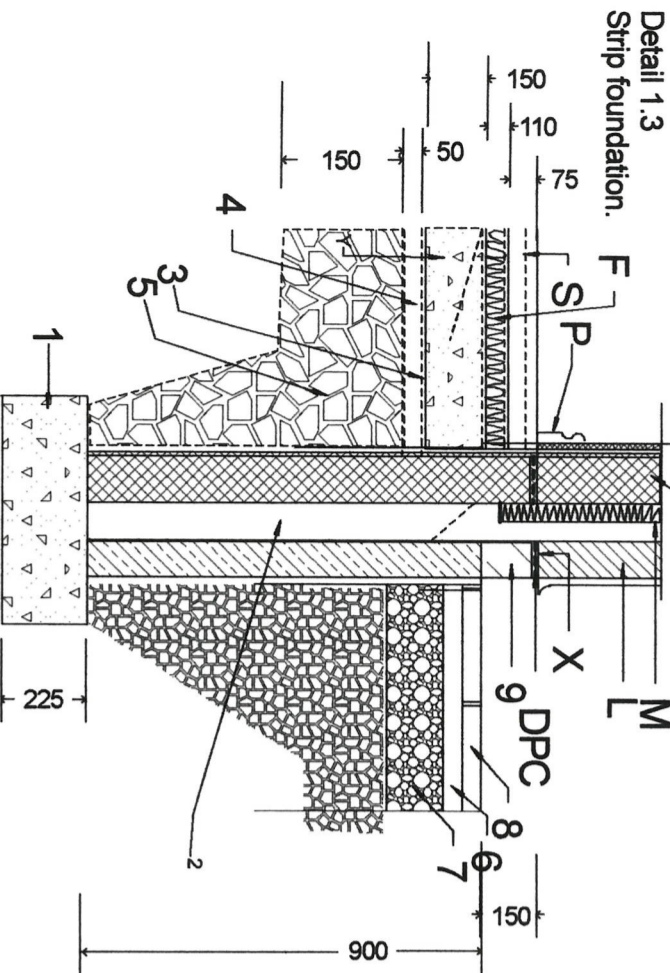
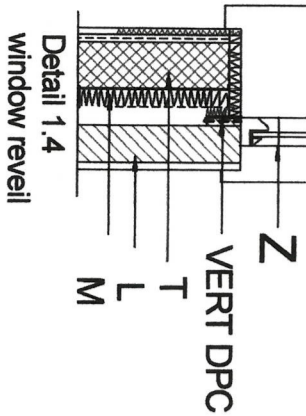
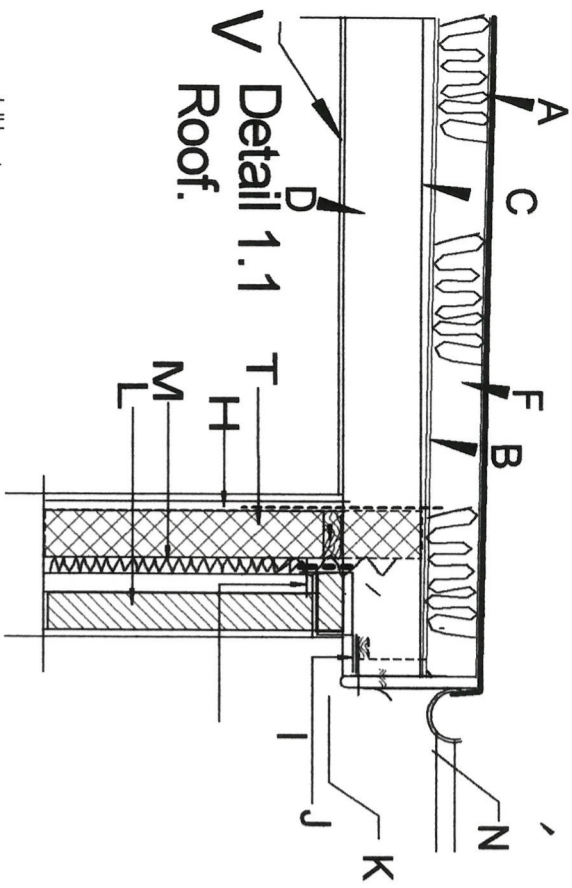


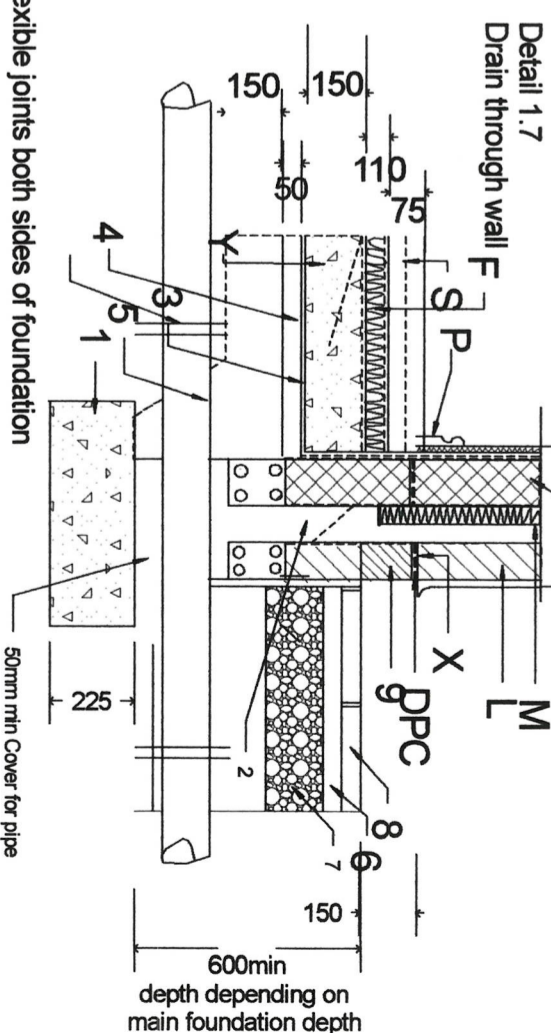
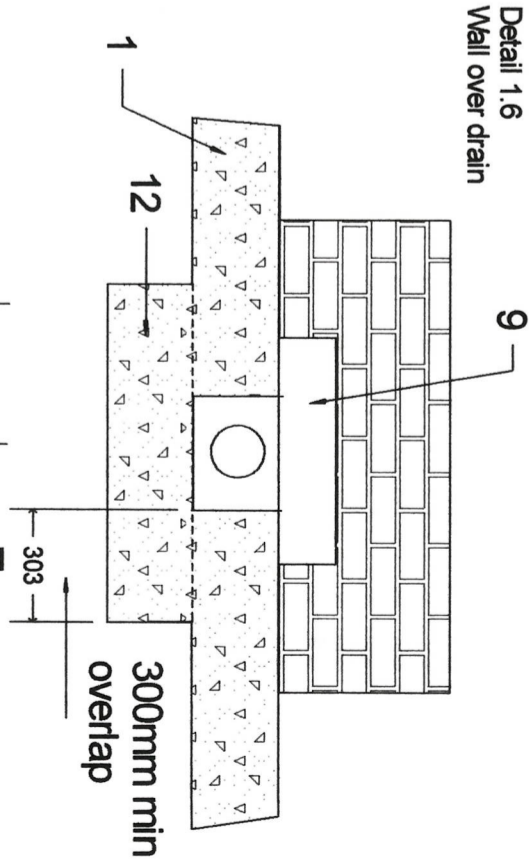
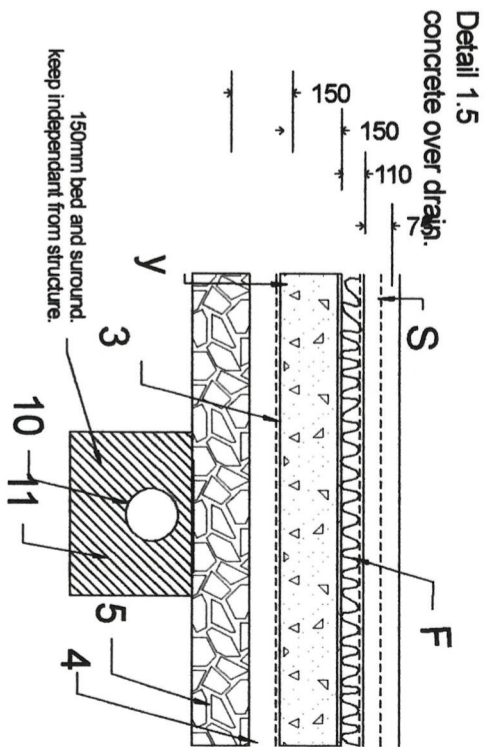
DISCUSSION FOR ALL DETAILS FOR FULL NOTES REFER TO SPECIFICATION.

- A: Grey Fiberglass roof covering as spec.
- B: 50x75 mm Timber firing sections
- C: 18mm WP ply boarding laid over firing sections
- D: 200x75 Flat roof joist sc5 @ 400mm centers.
- E: 150mm celotex insulation board laid over joists.
- F: 110mm polyform plus rigid insulation
- G: 100x50mm s/w wall plate, fixed to wall with restraint straps fixed at 2meter centres.
- H: 1000x8mm galv wallplate and rafter floor joist restraint straps at two meter centres.
- I: close top of cavity with 9mm supalux board or brickwork with dpc (fire stop)
- J: 10mm pvcu / suplux soffit boarding fixed to underside of rafters.
- K: 175x19mm PVCu fascia jumbo boarding fixed to soft wood framing.
- L: 102.5mm red facing brickwork up to DPC, rendered blockwork to match existing
- M: 50mm celotex double R insulation.
- N: pvcu rainwater goods.
- P: 125x19mm OG skirting plugged and screwed to wall with 75mm og architrave.
- T: 100mm Thermalite Turbo block
- V: 12.5mm foil backed plasterboard fixed to joists and noggins at all plasterboard joints
- X: Hyload DPC 150mm above ground level.
- Y: 150mm 1:2:4 floor slab.
- Z: UPVC doubled glazed units
- 1: 450x600 1:2:4 slab strip foundation.
- 2: Lean mix concrete cavity fill.
- 3: 1200 gauge builders polythene as indicated.
- 4: 50mm sand binding
- 5: Selected hardcore compacted in 150mm Layers
- 6: lean mix bedding.
- 7: Hardcore
- 8: Concrete paving.
- 9: PC concrete lintel.
- 10: Drain pipe.
- 11: 150mm concrete bed and surround.



INSULATION: Roof 150 mm Celotex insulation laid over over roofing Joists
Walls 50mm and 25mm celotex double R boarding and 100mm thermalite blocwork
Ground Floor 110mm polyform insulation.

Drainage protection through foundation details.



flexible joints both sides of foundation

Address:
22 Wingfeild Crescent Llanbradach
CF83 3NU ccbc

Title:
Details.

Scale:
1:50

Date:
April 2022