

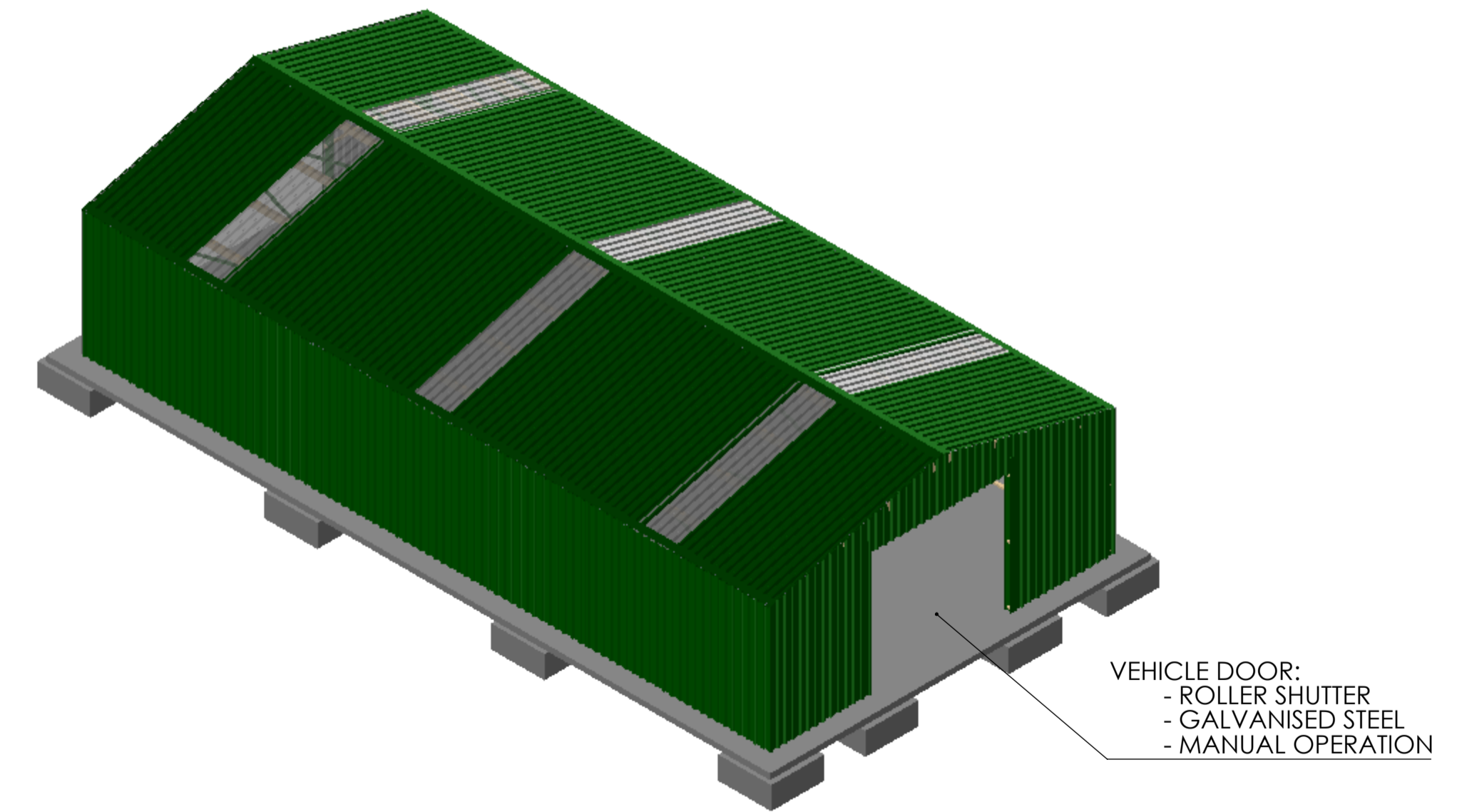
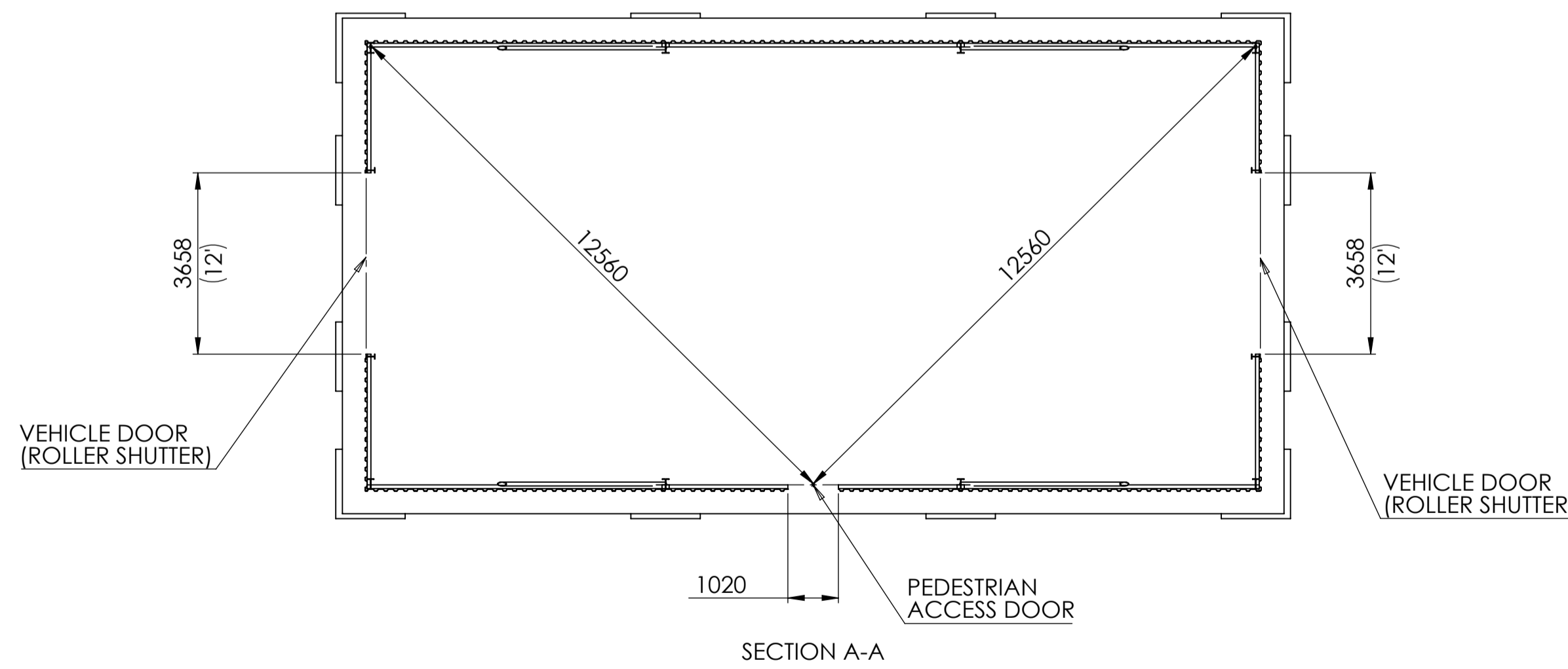
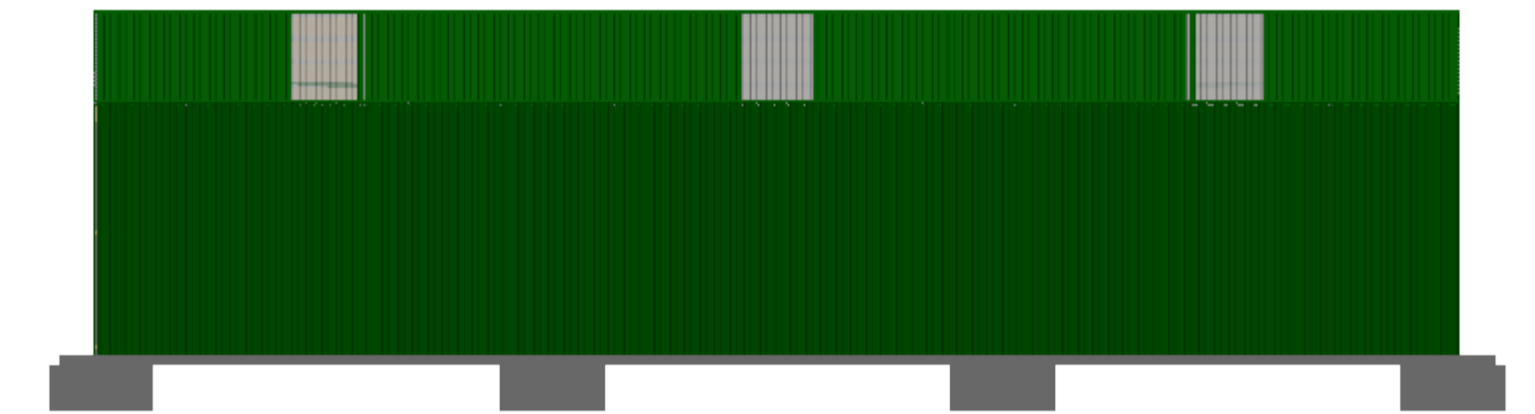
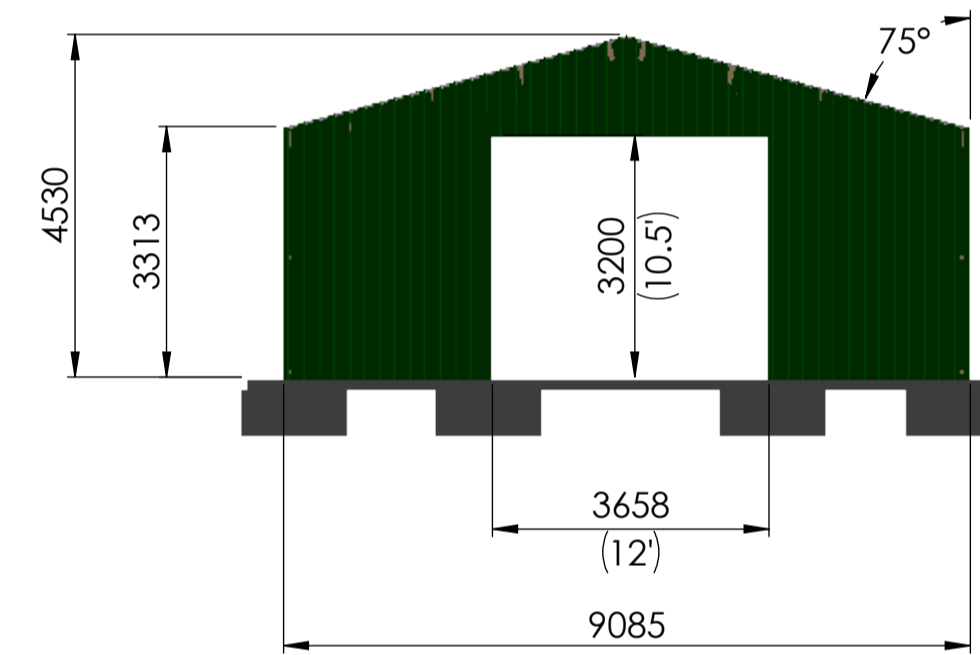
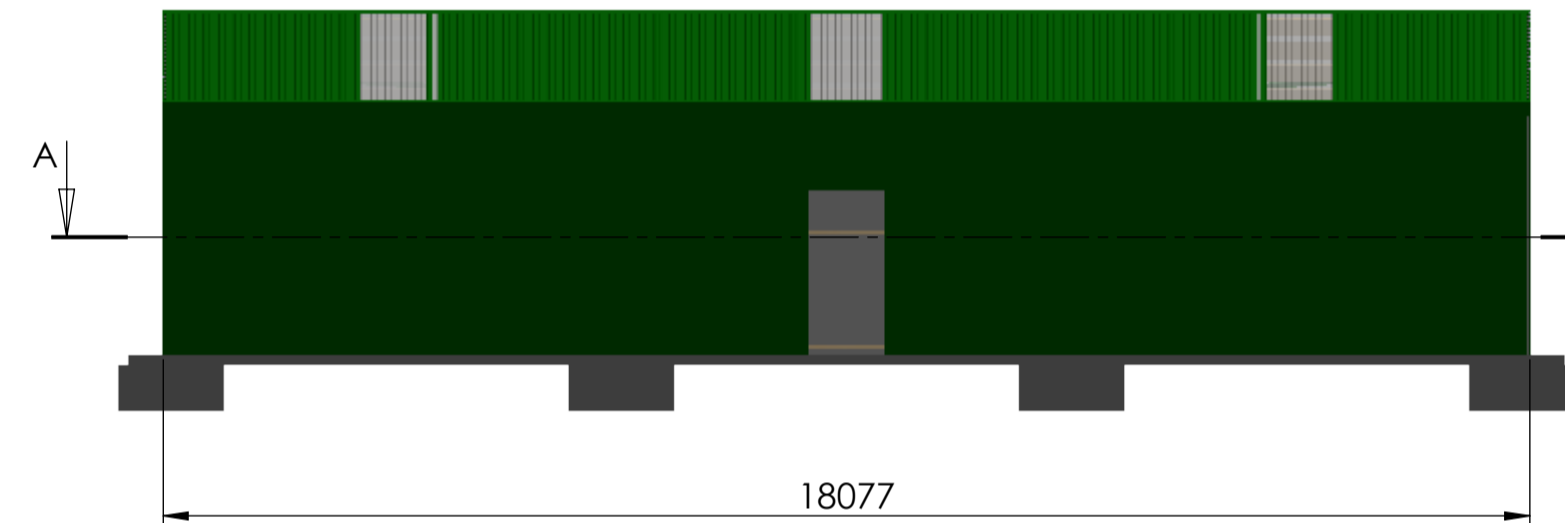
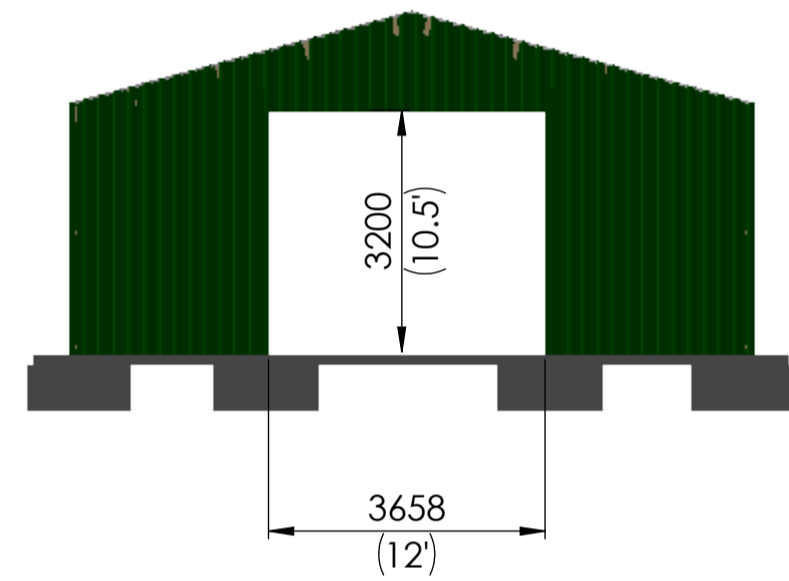
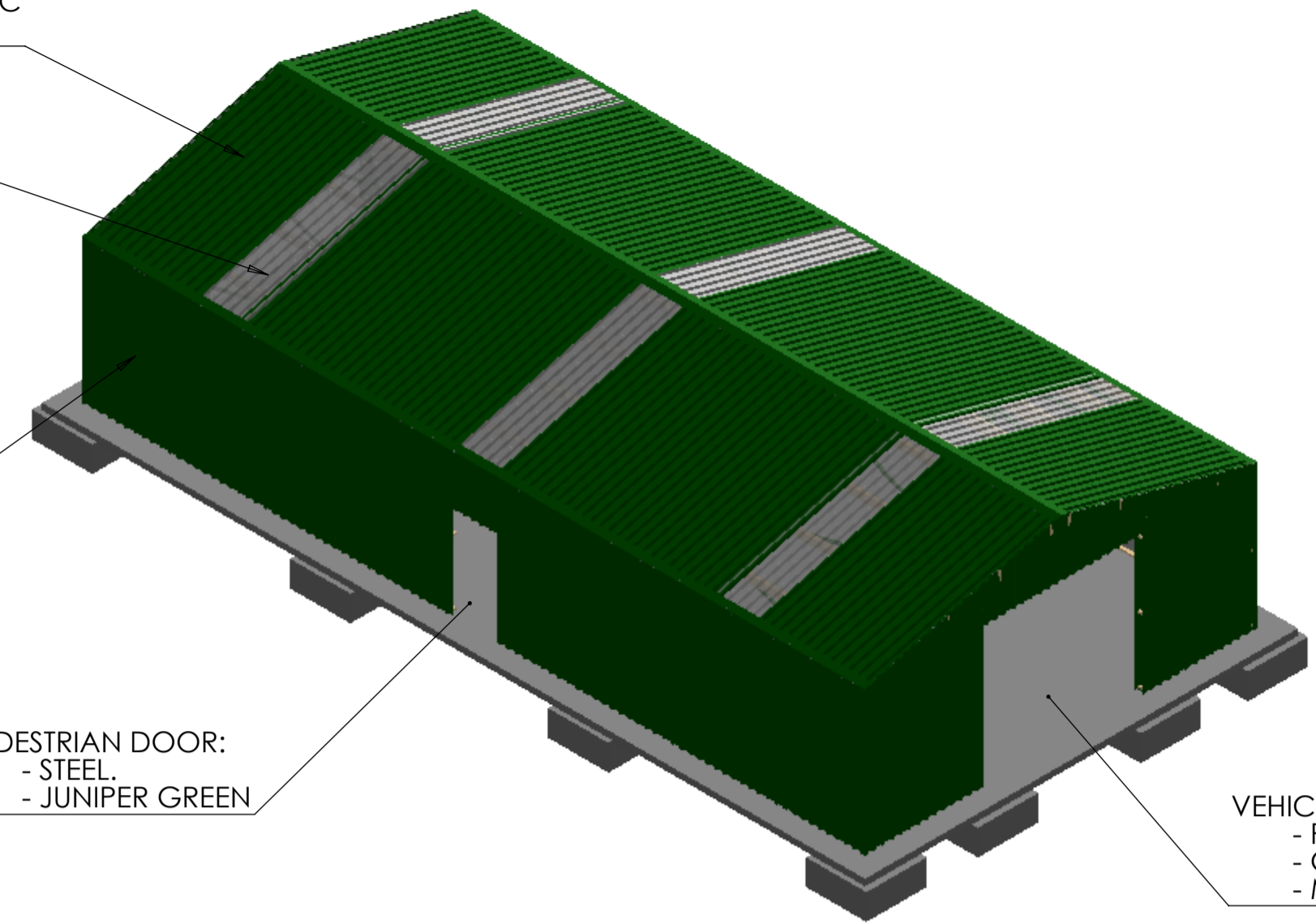
ROOF SHEETING:
 - 0.7mm, NON-INSULATED,
 - ANTI-CONDENSATION FABRIC
 - COLOUR: JUNIPER GREEN

GRP ROOF LIGHT PANELS

SIDE & GABLE SHEETING:
 - 0.7mm, NON-INSULATED,
 - COLOUR: JUNIPER GREEN

PEDESTRIAN DOOR:
 - STEEL
 - JUNIPER GREEN

VEHICLE DOOR:
 - ROLLER SHUTTER
 - GALVANISED STEEL
 - MANUAL OPERATION



VEHICLE DOOR:
 - ROLLER SHUTTER
 - GALVANISED STEEL
 - MANUAL OPERATION

- NOTES:**
1. ALL DIMENSIONS SUBJECT TO SLIGHT CHANGE, DEPENDANT UPON STRUCURAL ENGINEERS FINAL REPORT.
 2. ALL TECHNICAL SPECIFICATION SUBJECT TO CONFIRMATION BY STRUCTURAL ENGINEERS REPORT.
 3. DIMENSIONS INCLUDE CURRENTLY PROPOSED TIMBER PURLINS & SHEETING.
 4. VEHICLE DOOR NOMINAL DIMENSIONS: 12' WIDE, 10.5' HIGH. IT MAY BE POSSIBLE TO INCREASE DOOR HEIGHT DEPENDING ON THE FINAL ROLLER DRUM SIZE REQUIRED. CURRENT HEIGHT BASED ON GENERAL DRUM CLEARANCES AS ADVISED BY DOOR MANUFACTURERE.
 5. VEHICLE, PEDESTRIAN DOORS, GUTTERING & DOWNPIPES NOT SHOWN.

- MATERIALS:**
1. FABRICATED & BOLTED MILD STEEL PORTAL FRAME, SBP & PAINTED FINISH.
 2. PURLINS, EAVE & SIDE RAILS: TREATED TIMBER.
 3. ROOF SHEETING: 0.7mm 1000/32 JUNIPER GREEN PVC WITH CONDENSATION DRIP REDUCING BACKING.
 4. SIDE & GABLE SHEETING: 0.7mm 1000/32 JUNIPER GREEN PVC.
 5. ROOF LIGHTS: R32 2.4KG / CLASS 3 GRP.
 6. FLASHINGS: JUNIPER GREEN.
 7. GUTTERING: 2mm GALV SPANLINE.
 8. DOWNPIPES: 110mm.
 9. FOUNDATION PADS: CONCRETE, 1.4X1.4, 0.6m DEEP.
 10. FLOOR SLAB: CONCRETE, 150mm DEEP WITH 1 LAYER OF A252 MESH.

CLIENT NAME:
 MICHAEL ANSELL.

SITE LOCATION:
 GLENMUCK FARM,
 CARSPHAIN,
 CASTLE DOUGLAS,
 DG7 3TJ.

| A00587 | 15/04/2022 | N.MORRIS | A | RELEASED FOR PLANNING & CONSULTATION |
|--|------------|--------------------------------------|---------------------|---|
| ECR No. | DATE | NAME | REVISION | DESCRIPTION OF MODIFICATION |
| | | N. MORRIS | 1 | MATERIAL <not specified> |
| | | N. MORRIS | 2 | SURFACE FINISH: NATURAL |
| | | N. MORRIS | 3 | WELD WIRE: - |
| SOUTH WEST ENGINEERING & FABRICATIONS LTD EASTER KNOCLEAE, BALMACLELLAN, DG7 3PW. THE DRAWING AND DESIGNS ARE THE PROPERTY OF SOUTH WEST ENGINEERING & FABRICATIONS LTD AND MUST NOT BE COPIED, REPRODUCED OR DISCLOSED TO A THIRD PARTY WITHOUT THE WRITTEN CONSENT OF SOUTH WEST ENGINEERING & FABRICATIONS LTD. | | | | DATE: 31/01/2022 DATE: 08/02/2022 DATE: 15/04/2022 |
| DRAWING IN ACCORDANCE WITH BS 8888 REMOVE ALL BURRS AND SHARP EDGES TOLERANCE UNLESS STATED OTHERWISE 1000 AND ABOVE: ±3mm 0.0: ±0.5mm 250 TO 999: ±1.5mm 0.00: ±0.1mm 0 TO 249: ±1mm ANGULAR: ±0.5° | | | | DESCRIPTION: TL ASSY - STORAGE SHED (18x9m) PART NUMBER: SWE-0015-731 REVISION: A |
| THIRD ANGLE PROJECTION UNLESS OTHERWISE STATED | | DO NOT SCALE DRAWING IF IN DOUBT ASK | MASS (KG): 44629.93 | SHEET SCALE: 1:100 SHEET: SHEET 1 OF 2 SHEET SIZE: A1 |