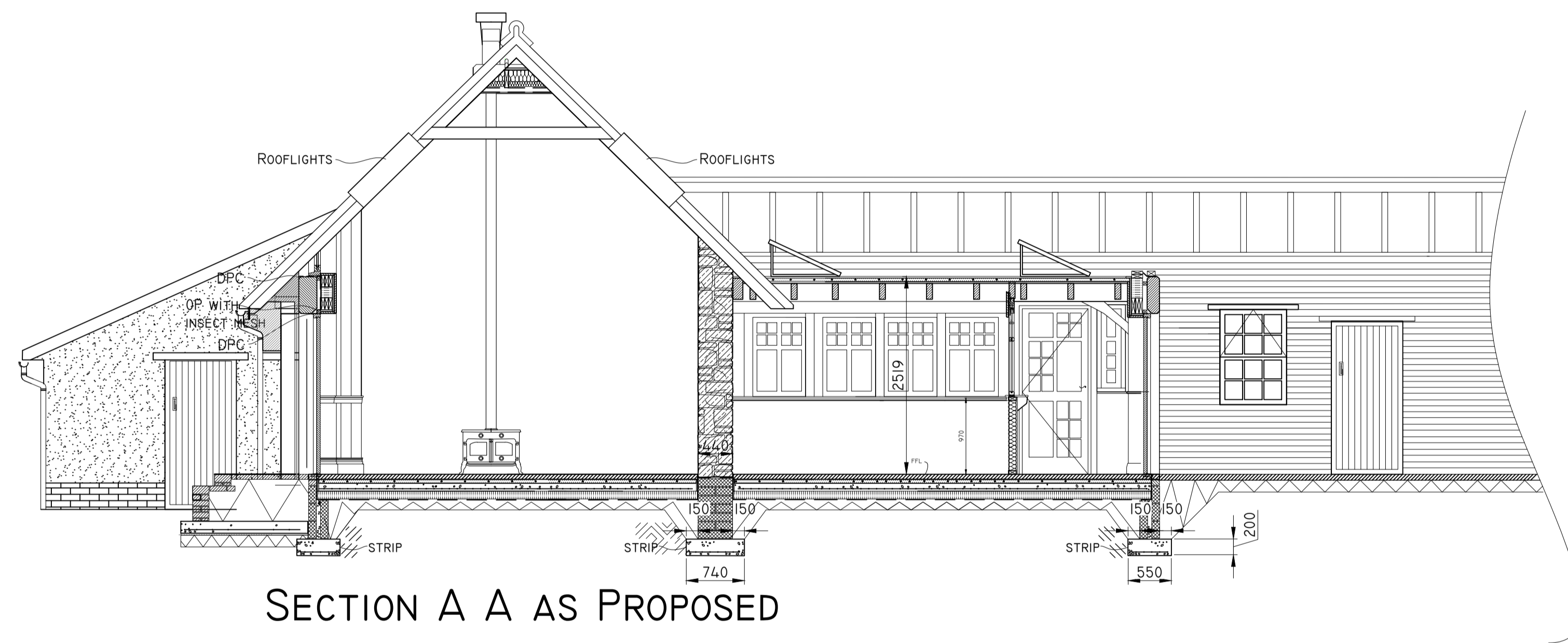
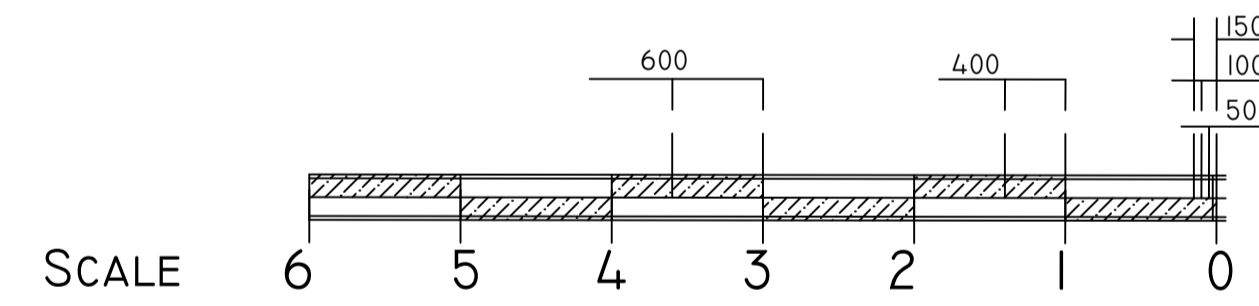


Notes:
 - Do not scale from this drawing
 - All dimensions are to be checked on site prior to construction
 - Dimensions marked with an asterisk thus * are open site dimensions to be confirmed on site.
 - Should any discrepancy be found with this drawing please report to this office immediately.
 - This plan and its content is copyright of Smith&Garratt - © Smith&Garratt 2021. All rights reserved.
 Any redistribution or reproduction of part or all of the contents in any form is prohibited.



SECTION A A AS PROPOSED



Rev | Date | Note | By | Ckx
 Status

PLANNING

Project
 Watkinson

Client
 Watkinson

Drawing
 Proposed Section A_A



Drawn by
 Rachel Reeves

Scale
 1:50 @A1

Date
 11 Apr 2022

Drawing Number
 WAT03.1

Rev
 A