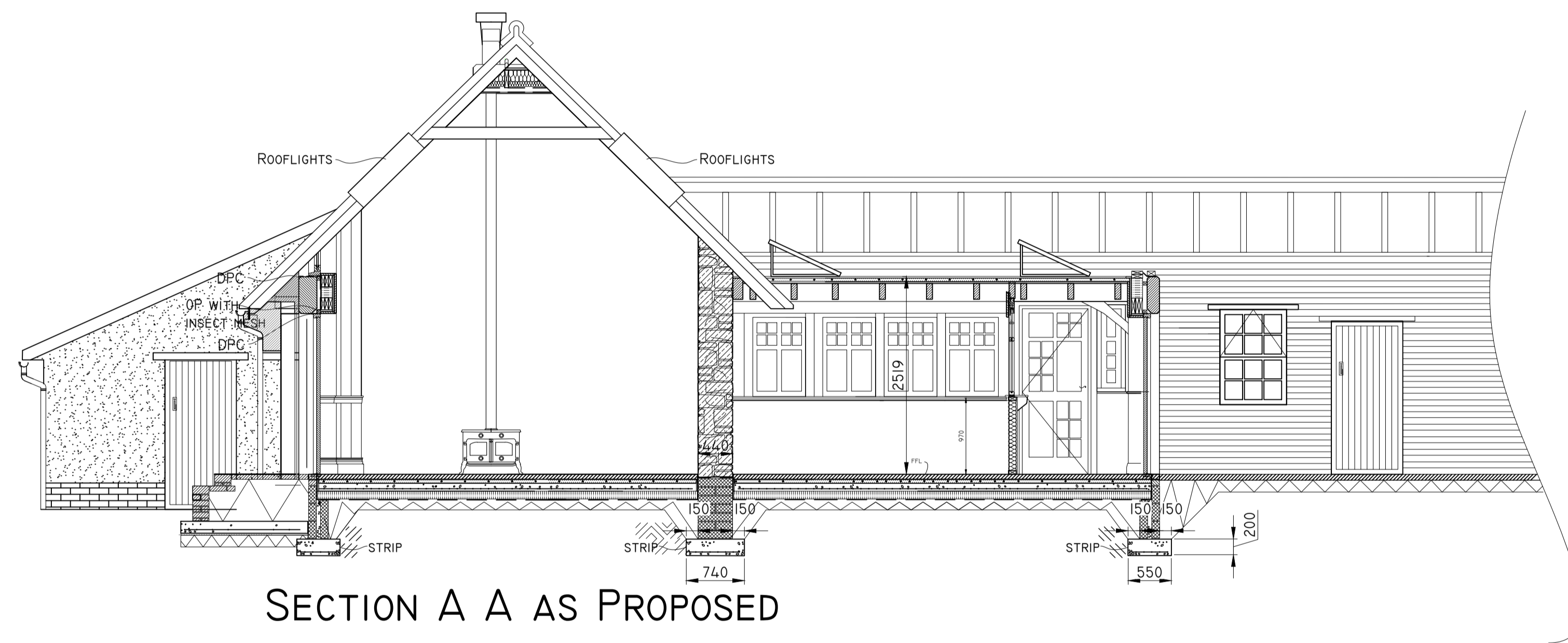
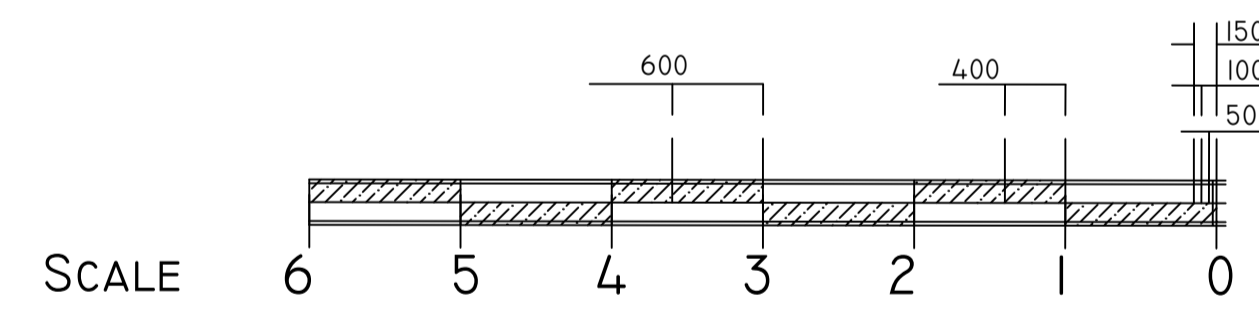


Notes:
 - Do not scale from this drawing
 - All dimensions are to be checked on site prior to construction
 - Dimensions marked with an asterisk thus * are open site dimensions to be confirmed on site.
 - Should any discrepancy be found with this drawing please report to this office immediately.
 - This plan and its content is copyright of Smith&Garratt - © Smith&Garratt 2021. All rights reserved.
 Any redistribution or reproduction of part or all of the contents in any form is prohibited.



SECTION A A AS PROPOSED



Rev	Date	Note	By	Chk
Status				

PLANNING

Project
 Improvements to the Rear of
 No.1 Castle Street

Client
 Watkinson

Drawing
 Proposed Section A_A



Drawn by
 Rachel Reeves

Scale 1:50 @A1	Date 09 May 2022
-------------------	---------------------

Drawing Number WAT03.1	Rev B
---------------------------	----------