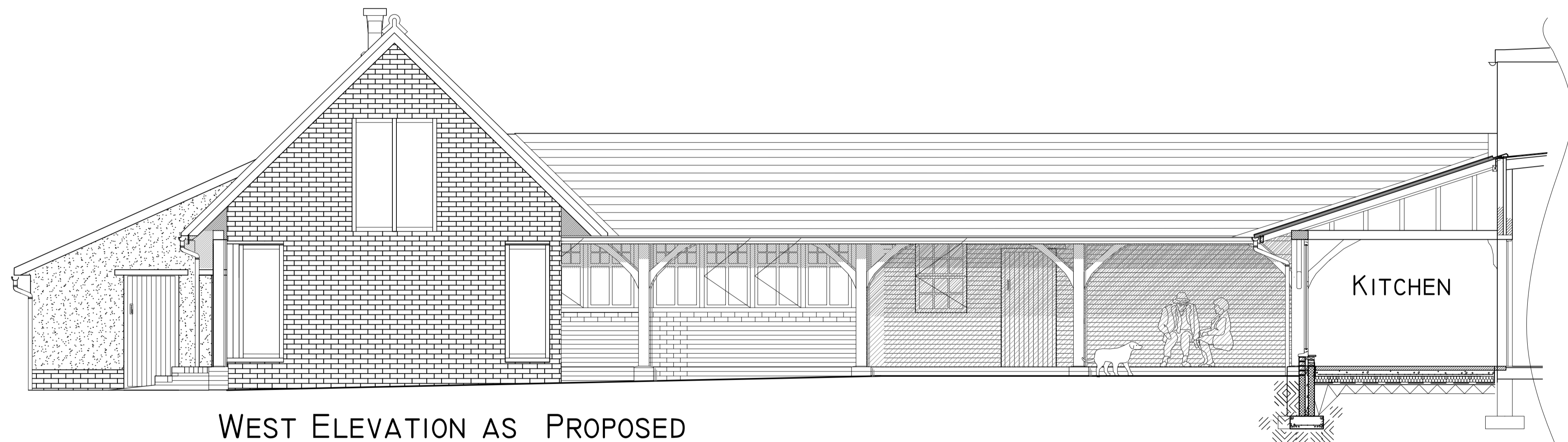
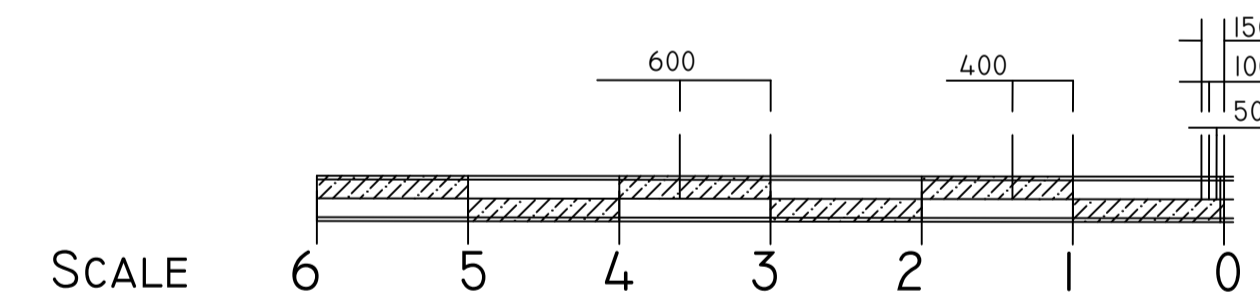


Notes:  
 - Do not scale from this drawing  
 - All dimensions are to be checked on site prior to construction.  
 - Dimensions marked with an asterisk thus \* are open site dimensions to be confirmed on site.  
 - Should any discrepancy be found with this drawing please report to this office immediately.  
 - This plan and its content is copyright of Smith&Garratt - © Smith&Garratt 2021. All rights reserved.  
 - Any redistribution or reproduction of part or all of the contents in any form is prohibited.



WEST ELEVATION AS PROPOSED



Rev	Date	Note	By	Chk
Status				
PLANNING				
Project				
Watkinson				
Client				
Watkinson				
Drawing				
Proposed West Elevation				

PLANNING

Project  
Watkinson

Client  
Watkinson

Drawing  
Proposed West Elevation

SMITH & GARRATT  
 HERITAGE · RURAL · PRIVATE CLIENT  
 The Guildhall, Ladykirk,  
 Berwick-upon-Tweed, TD15 1XL  
 Tel: 01289 382 209

Drawn by  
Rachel Reeves

Scale  
1:50 @A1

Date  
11 Apr 2022

Drawing Number  
WAT03.1

Rev  
A