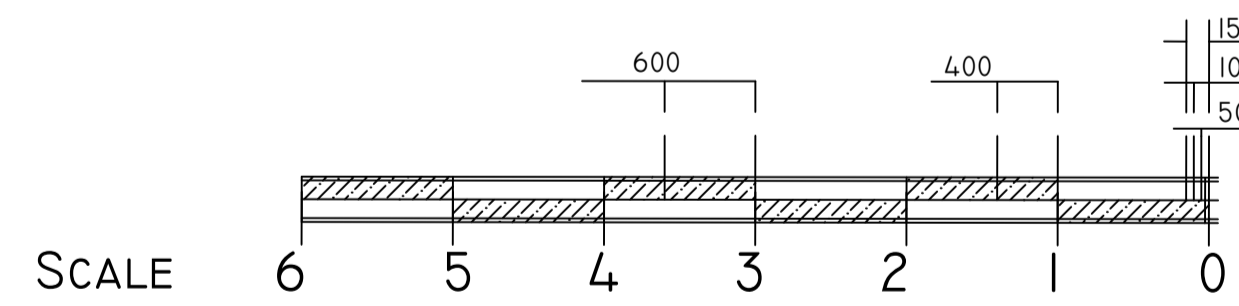


Notes:  
 - Do not scale from this drawing  
 - All dimensions are to be checked on site prior to construction  
 - Dimensions marked with an asterisk thus \* are open site dimensions to be confirmed on site.  
 - Should any discrepancy be found with this drawing please report to this office immediately.  
 - This plan and its content is copyright of Smith&Garratt - © Smith&Garratt 2021. All rights reserved.  
 - Any redistribution or reproduction of part or all of the contents in any form is prohibited.



NORTH ELEVATION AS PROPOSED



Rev | Date | Note | by | Ckx  
 Status

PLANNING

Project  
 Improvements to the Rear of  
 No.1 Castle Street

Client  
 Watkinson

Drawing  
 Proposed North Elevation



Drawn by  
 Rachel Reeves

Scale  
 1:50 @A1

Date  
 09 May 2022

Drawing Number  
 WAT03.1

Rev  
 B