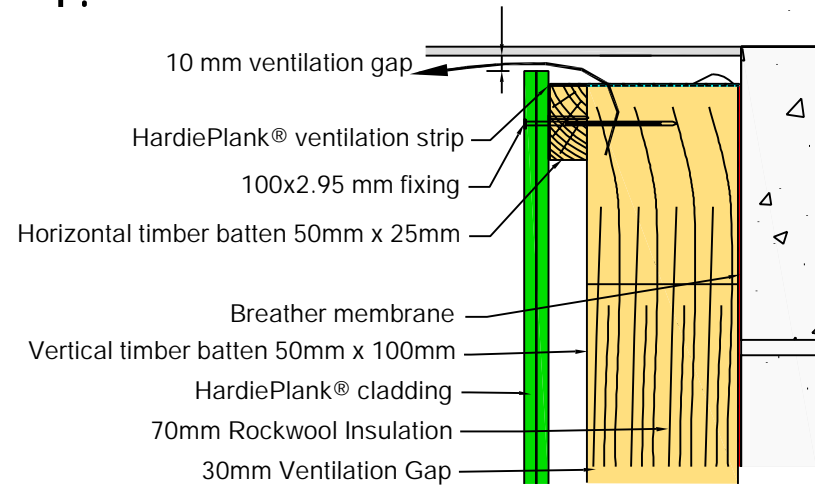
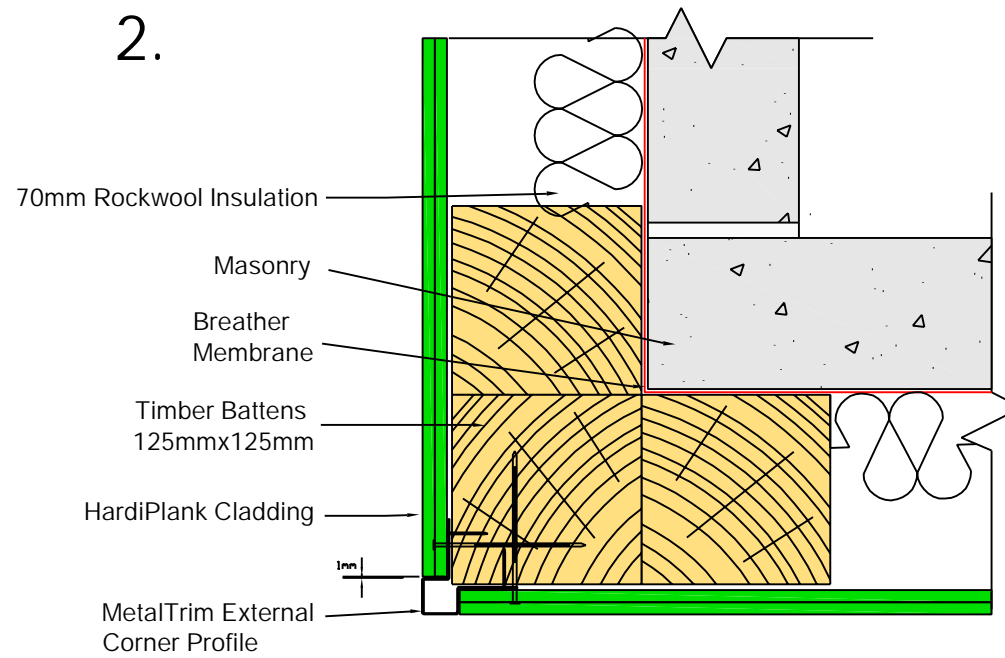


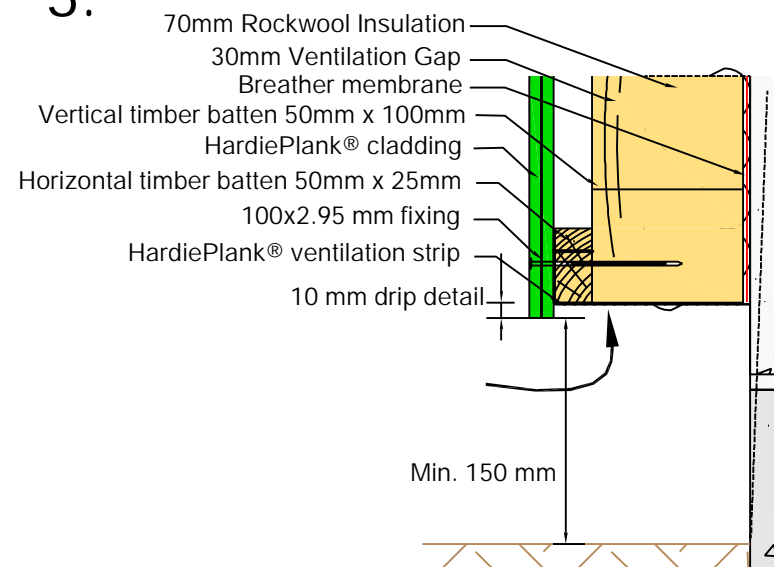
1.



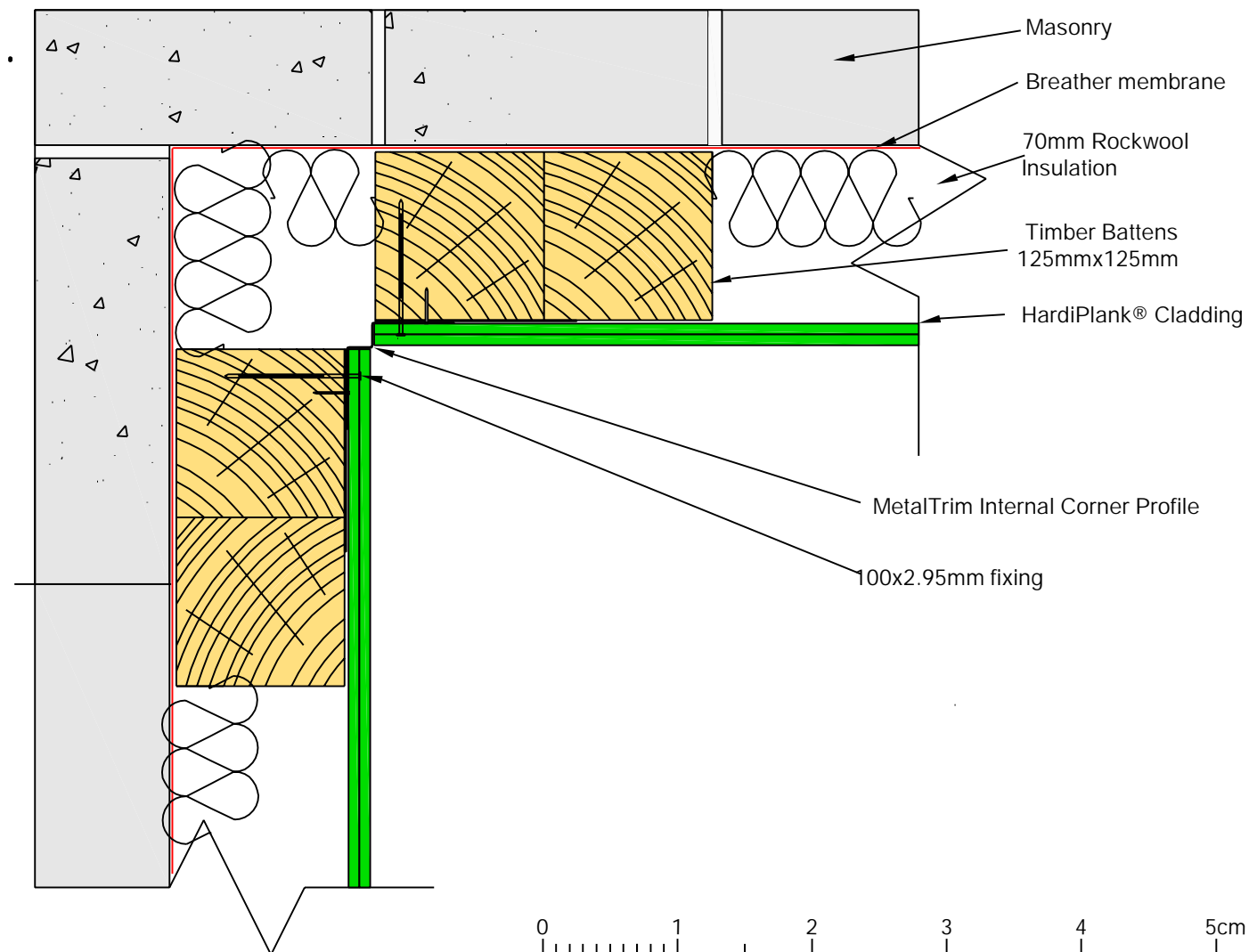
2.



3.



4.



1. HardiePlank® Cladding Vertical on Masonry - Top Ventilation Detail
2. HardiePlank® - 90 Deg External Corner with Metal Trim
3. HardiePlank® Cladding Vertical on Masonry - Ground Level Ventilation Detail
4. HardiePlank® - 90 Deg Internal Corner - Metal Trim Flashing



NOTES

This drawing and all the information shown is the property of Stace LLP and shall not be copied in whole, or in part, or used for any other purpose without written permission of the company.
 All figured dimensions are to take precedence over scaled dimensions. All dimensions are to be checked on site. Any discrepancies must be reported to the Designer for verification prior to commencement of the affected works.
 If this Auto CAD drawing is being read by any system other than Auto CAD it should be checked against an original hard copy printed by Stace LLP. Stace LLP cannot accept liability for omissions.
 The original measured survey was prepared by HardiPlank

Rev	Date	Description	Drn

Planning



Client
 Harlow Council
 Project
 HDC Five Acres, Harlow

Drawing Title
 HardiPlank Cladding
 Typical Sections

Scale 1:5	Sheet Size A3
Date 08/11/2021	Drawn by TC
Drawing No. 21/0833/H.P_01	Rev