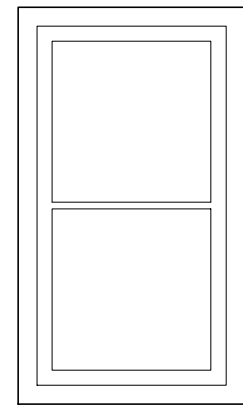


WG01

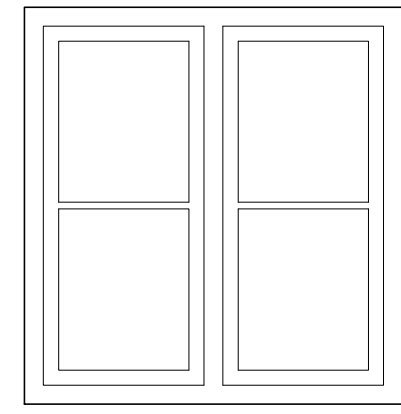


WG04



WG02

WG03

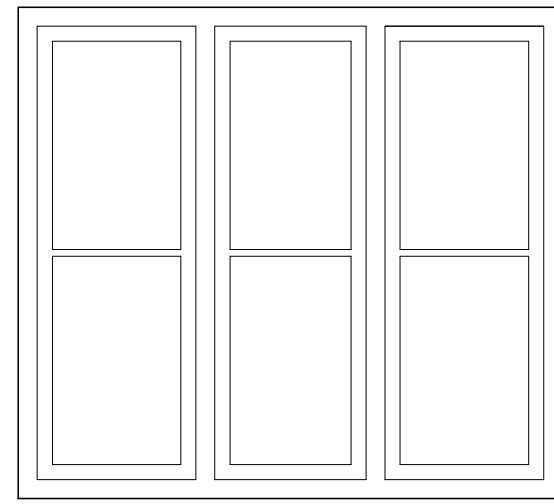


WG09

WG10

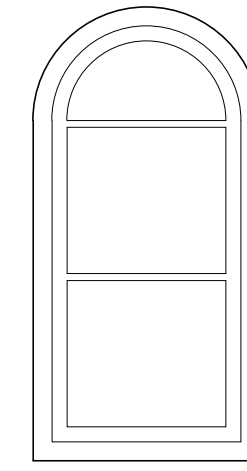
WG11

WG12



WG05

WG08

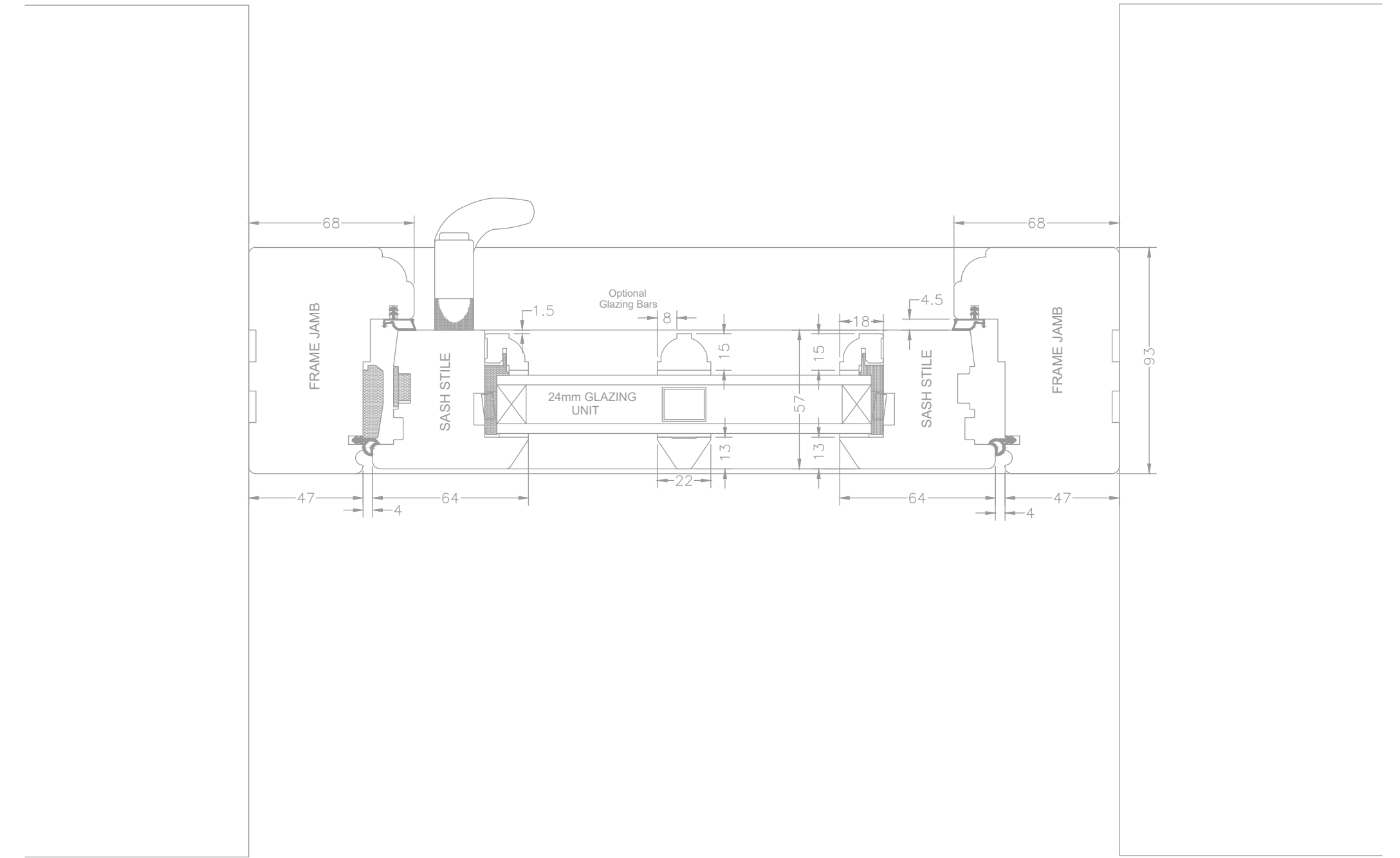


WG06

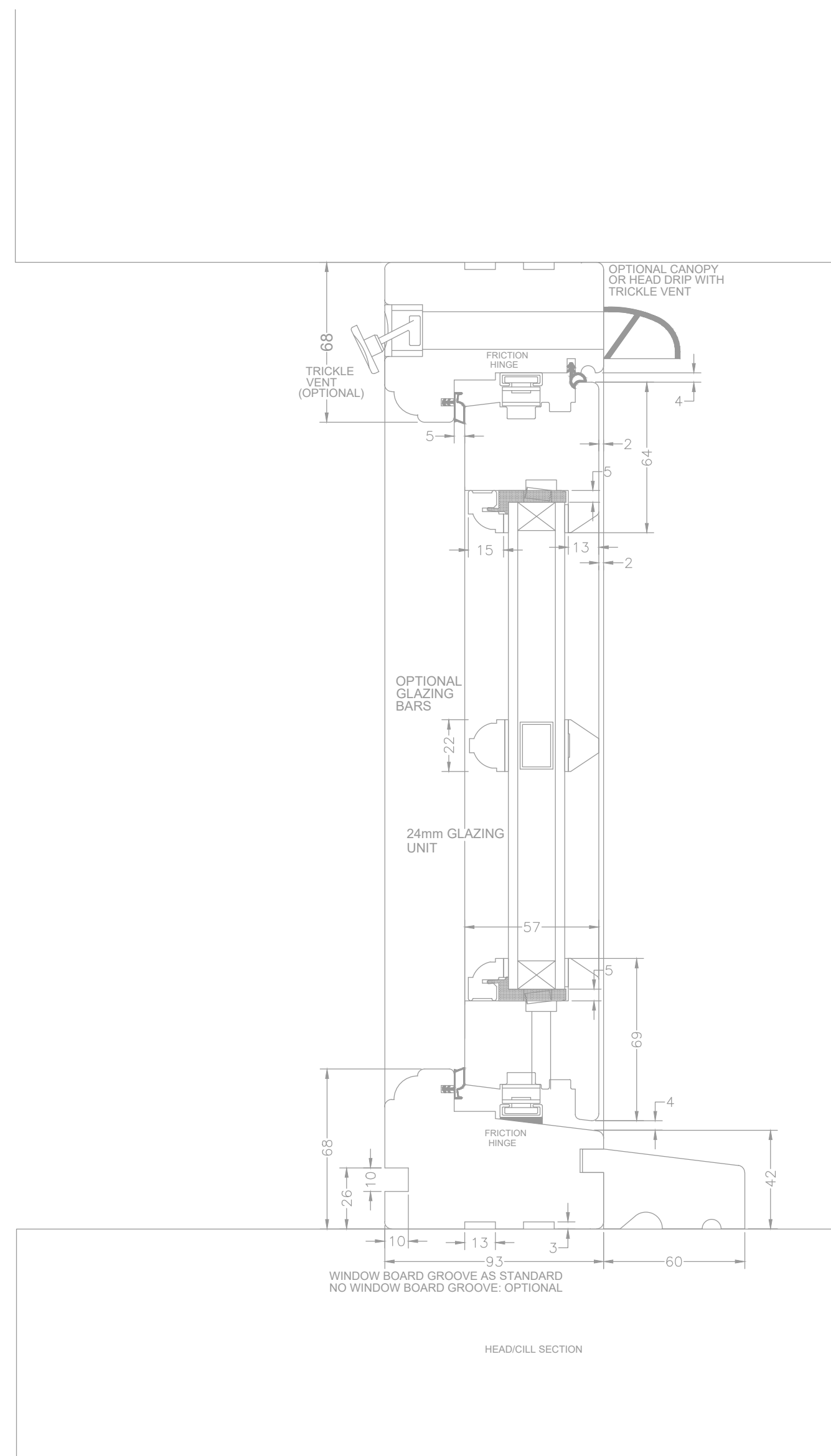
WG07



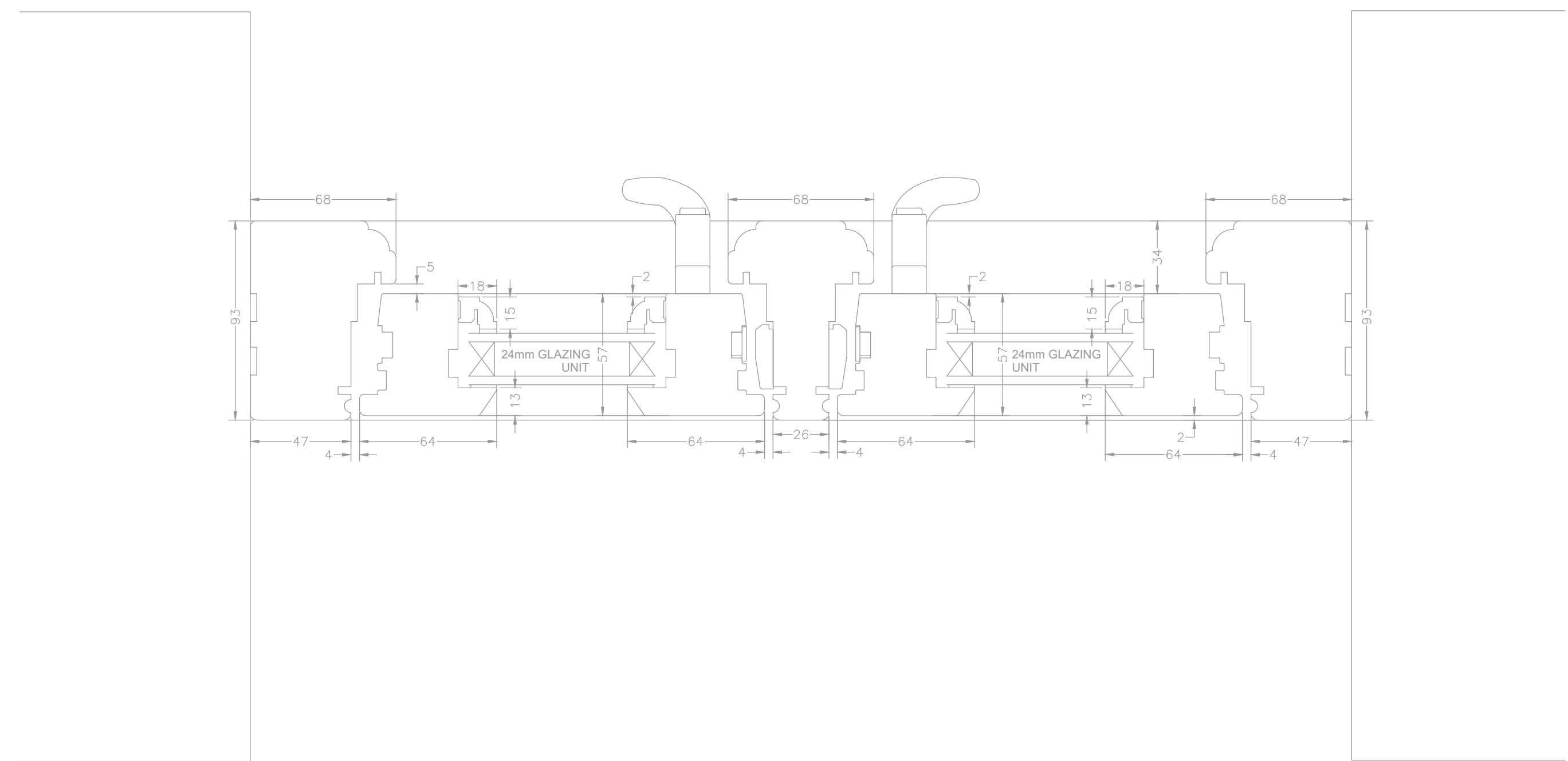
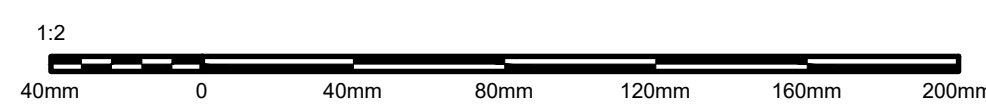
PROPOSED WINDOW ELEVATIONS
SCALE 1:20



PROPOSED JAMB/BAR SECTION
SCALE 1:2



PROPOSED HEAD/CILL SECTION
SCALE 1:2



PROPOSED JAMB/MULLION SECTION
SCALE 1:2

12 MAIN STREET, TINWELL

PROPOSED WINDOW DETAILS

DWG. NO - P2