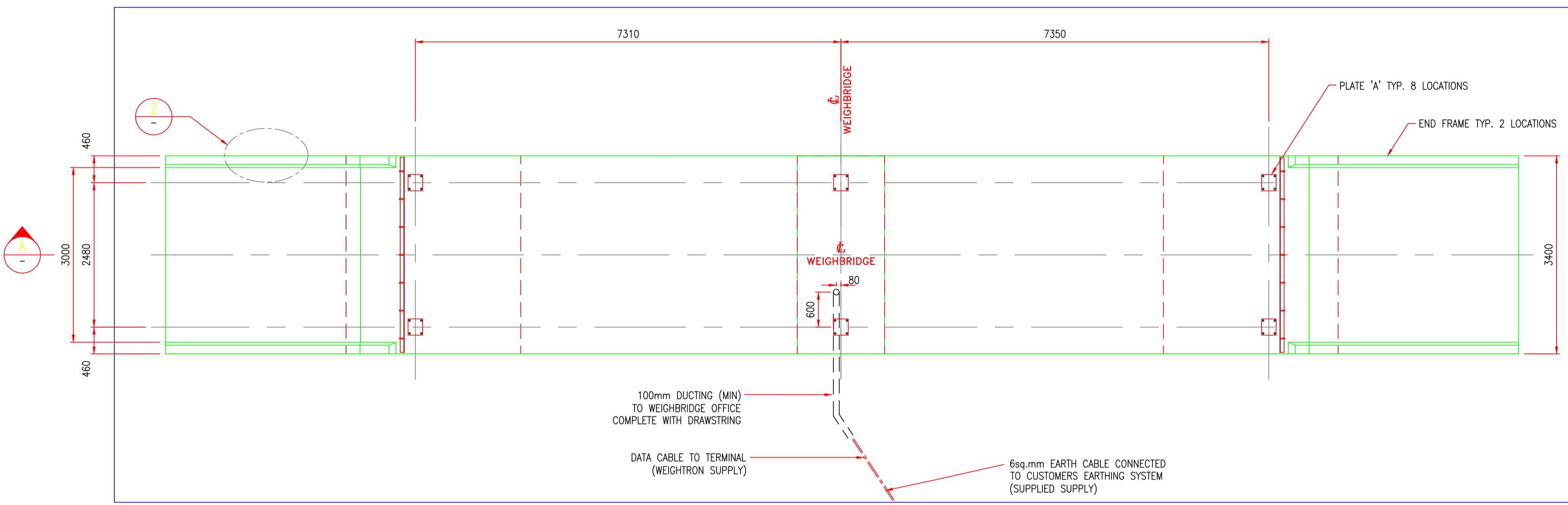
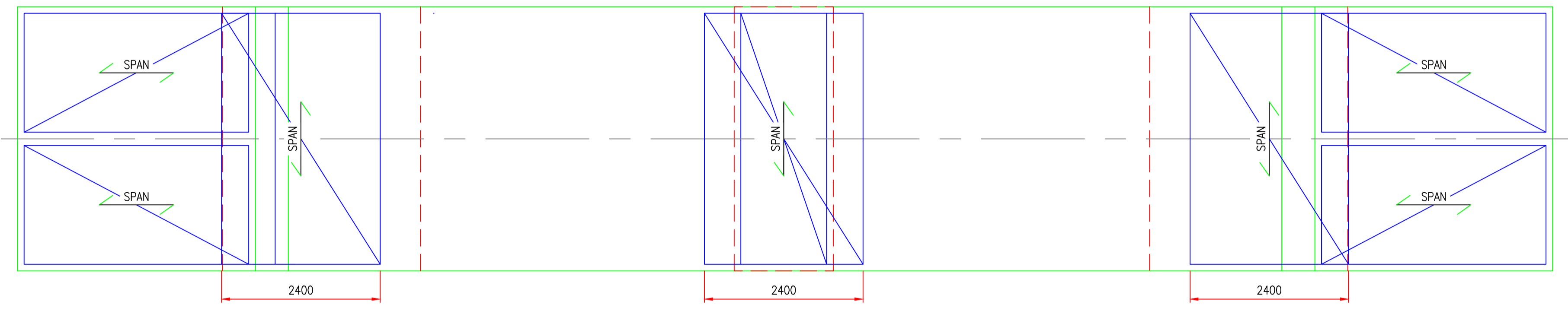


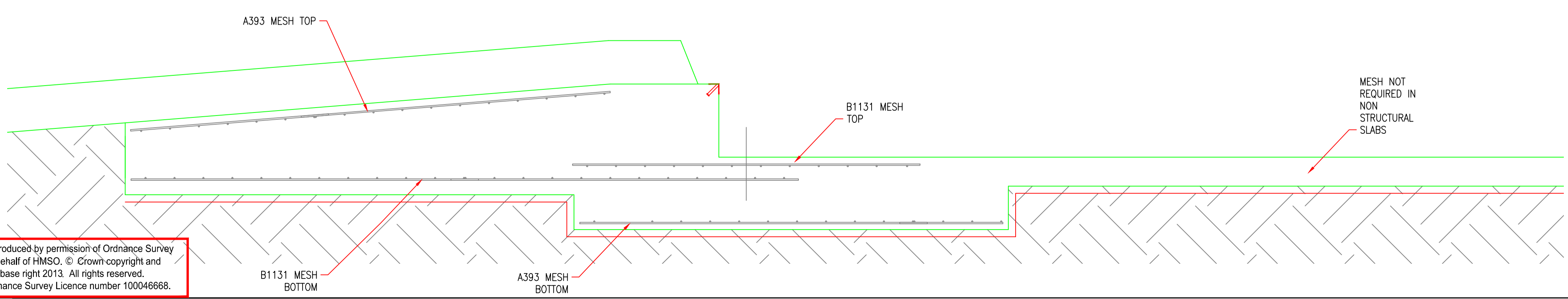
SECTION A
SCALE 1:50



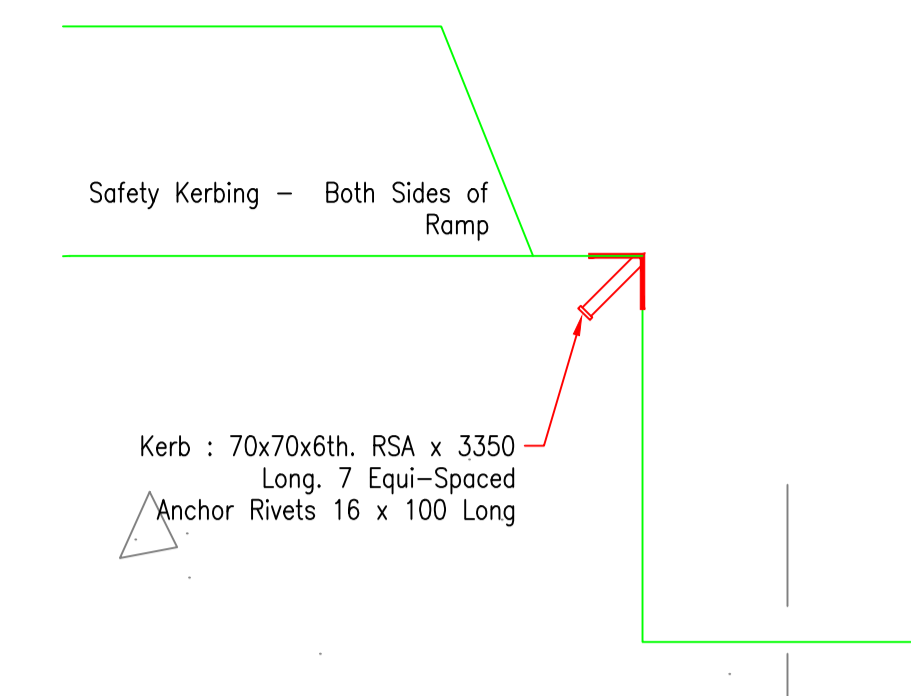
PLAN ON WEIGHBRIDGE FOUNDATION
SCALE 1:50



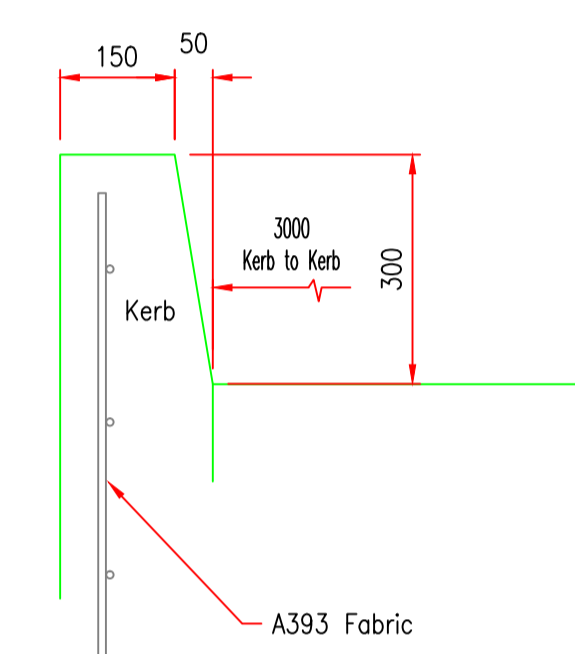
PLAN ON WEIGHBRIDGE FOUNDATION
SCALE 1:50



Reproduced by permission of Ordnance Survey on behalf of HMSO. © Crown copyright and database right 2013. All rights reserved. Ordnance Survey Licence number 100046668.



DETAIL 1
SCALE 1:10



DETAIL 2
SCALE 1:10

Notes:

- ALL CONCRETE WORK TO BE IN ACCORDANCE WITH BS 8110-1:1997.
- ALL DIMENSIONS AND LEVELS TO BE CHECKED ON SITE PRIOR TO COMMENCEMENT OF WORK AND ANY DISCREPANCIES BROUGHT TO THE ATTENTION OF THE ENGINEER.
- DO NOT SCALE FROM THIS DRAWING, WORK FROM FIGURED DIMENSIONS ONLY.
- ALL CO-ORDINATES SHOWN ON THE DRAWINGS ARE TO LOCAL GRID.
- ALL ELEVATIONS AND CO-ORDINATES ARE IN METRES.
- ALL DIMENSIONS ARE IN MILLIMETRES.
- CONCRETE FINISHES:
FORMED SURFACES:
ALL VERTICAL EXPOSED SURFACES TO BE 'CLASS 1 TYPE A' FINISH IN ACCORDANCE WITH BS 8110 CLAUSE 6.2.7. THIS FINISH TO EXTEND A MINIMUM DEPTH OF 150mm BELOW GROUND LEVEL.
UNFORMED SURFACES:
ALL HORIZONTAL SURFACES TO HAVE A SMOOTH HAND FLOAT FINISH U.N.O.
- ALL EXPOSED CORNERS TO HAVE A 25 x 25 CHAMFER.
- REINFORCEMENT TO BE IN ACCORDANCE WITH BS 4449 AND BENT IN ACCORDANCE WITH BS 8666:2005.
MINIMUM LAP LENGTHS: MESH = 400mm
H10 = 400mm
H12 = 500mm
H16 = 650mm
H20 = 800mm

DRAWING TO BE READ IN CONJUNCTION WITH
AVERY WEIGH-TRONIX DRG. No. 83211-302 REV4

PRELIMINARY

This preliminary temporary works drawing meets site requirements
Signed: _____ Date: _____
(Temporary Works Co-ordinator)

AWPR - CJV HEALTH AND SAFETY INFORMATION	
IN ADDITION TO THE HAZARDS NORMALLY ASSOCIATED WITH THE TYPES OF WORK DETAILED ON THIS DRAWING, PLEASE NOTE THE FOLLOWING:	
CONSTRUCTION PHASE	
RESIDUAL RISK THAT COULD NOT BE OBVIOUS TO A COMPETENT CONTRACTOR	ACTION REQUIRED TO CONTROL THE RESIDUAL RISK
OPs ACCESS - HORIZONTAL, VERTICAL, PEDESTRIAN, VEHICLE/PLANT	
POINTS REQUIRING ACCESS:	METHOD OF ACCESS:
OPs HANDLING / LIFTING STRATEGY	
ITEMS REQUIRING HANDLING:	METHOD OF HANDLING:
IT IS ASSUMED THAT ALL WORKS WILL BE CARRIED OUT BY A COMPETENT PERSON WORKING, WHERE APPROPRIATE, TO AN APPROVED SAFE SYSTEM OF WORK	

P1	Rev	By	Chkd	Apprvd	Date	Description



Aberdeen
roads limited



Drawing	
AWPR South Section WEIGHBRIDGE GENERAL ARRANGEMENT AND DETAILS	
Drawn by: I.ANDERSON	Date: 20.5.16
Checked by: S.AINSLIE	Date: 20.5.16
Approved by: S.AINSLIE	Date: 20.5.16
Drawing No. AWPR-TW-5066	Revision P1
Drawing Scale: AS SHOWN AT A1	DO NOT SCALE

CONCRETE SPECIFICATION						
DESIGNED MIX TO EN 206-1 CONSISTENCE CLASS S2						
FOUNDATIONS						
GRADE OF CONCRETE	DESIGNATION	MAX AGG. SIZE (mm)	MIN CEMENT CONTENT (kg/m ³)	MAX FREE W/C RATIO	OTHER	MINIMUM COVER (mm)
C32/40	CEMIII/B+SR	20	400	0.40	66% TO 80% GGBS	35
	CEMIII/B-V+SR	20	400	0.40	25% TO 35% PFA	35
CONCRETE SPECIFICATION						
DESIGNED MIX TO EN 206-1 CONSISTENCE CLASS S2						
BLINDING						
GRADE OF CONCRETE	DESIGNATION	MAX AGG. SIZE (mm)	MIN CEMENT CONTENT (kg/m ³)	MAX FREE W/C RATIO	OTHER	MINIMUM COVER (mm)
C16/20	CEM1	20	230	-	-	N/A