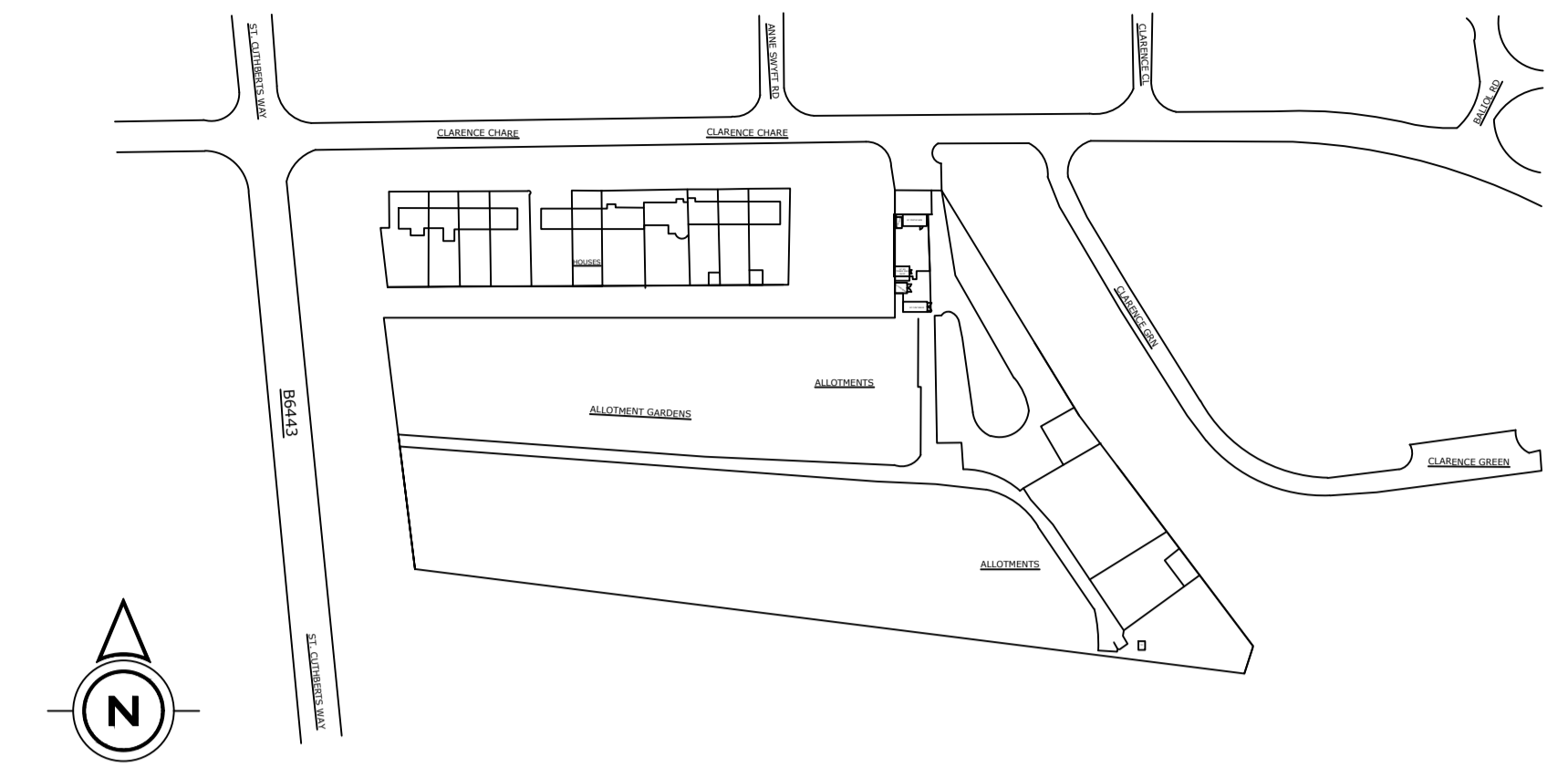
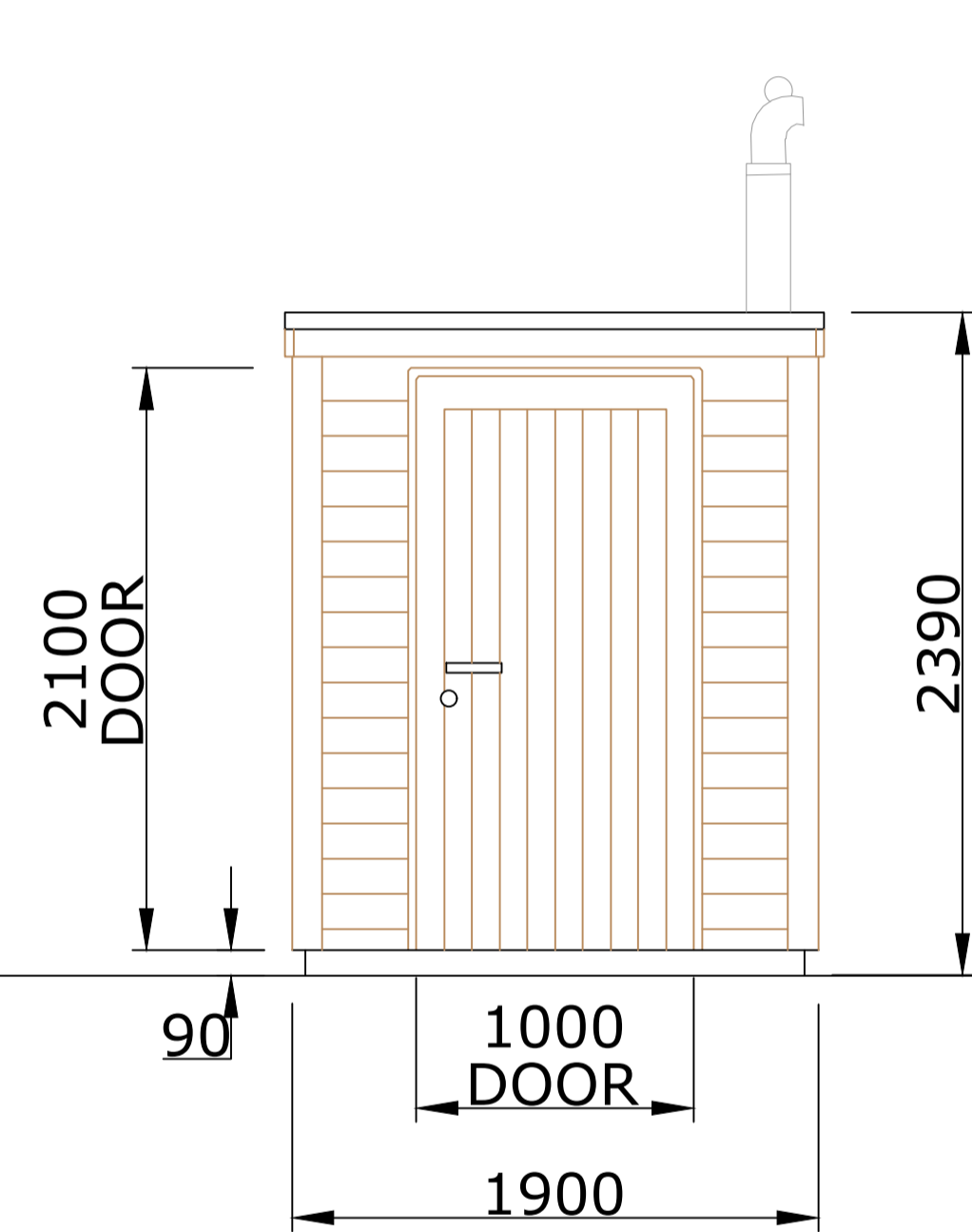


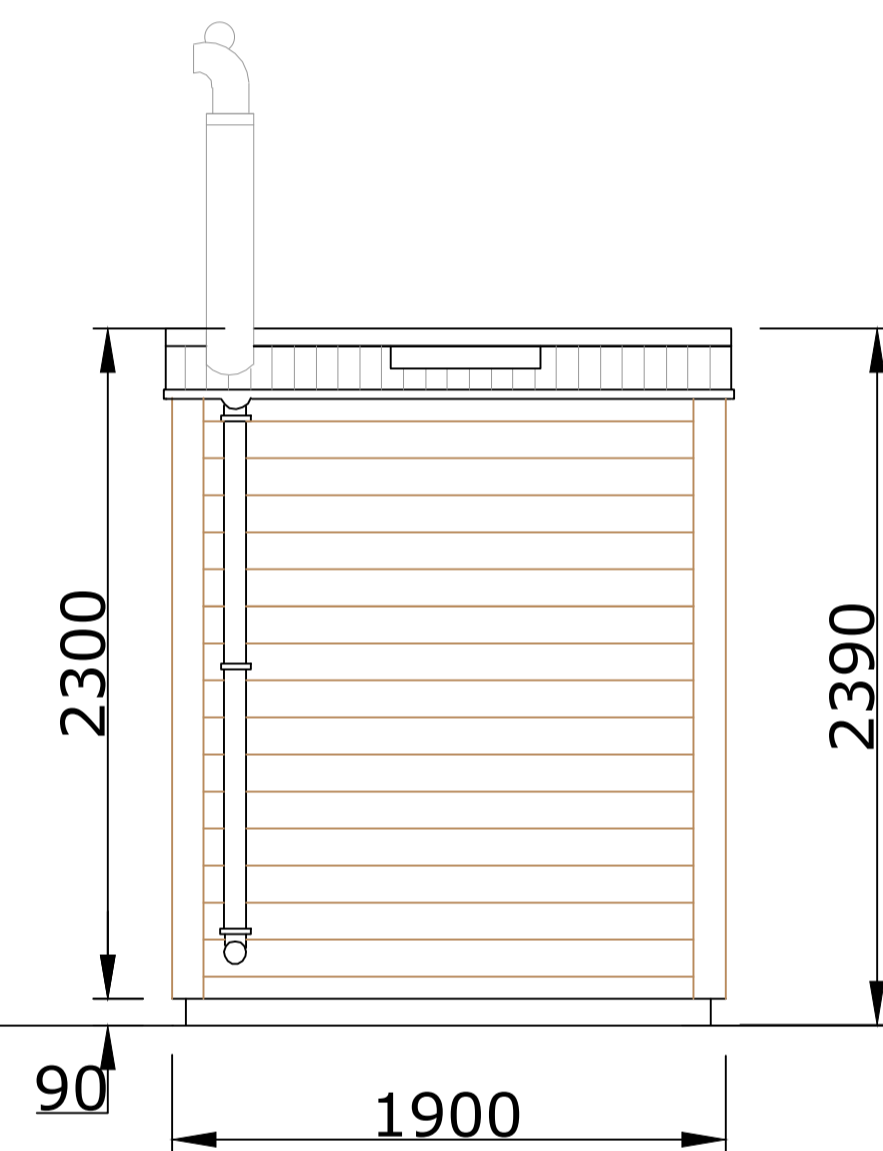
**NOTES:**  
 ROOF TO BE CORRUGATED METAL SHEET  
 WITH SKY LIGHT  
 WALLS TO BE TIMBER WEATHER BOARDS



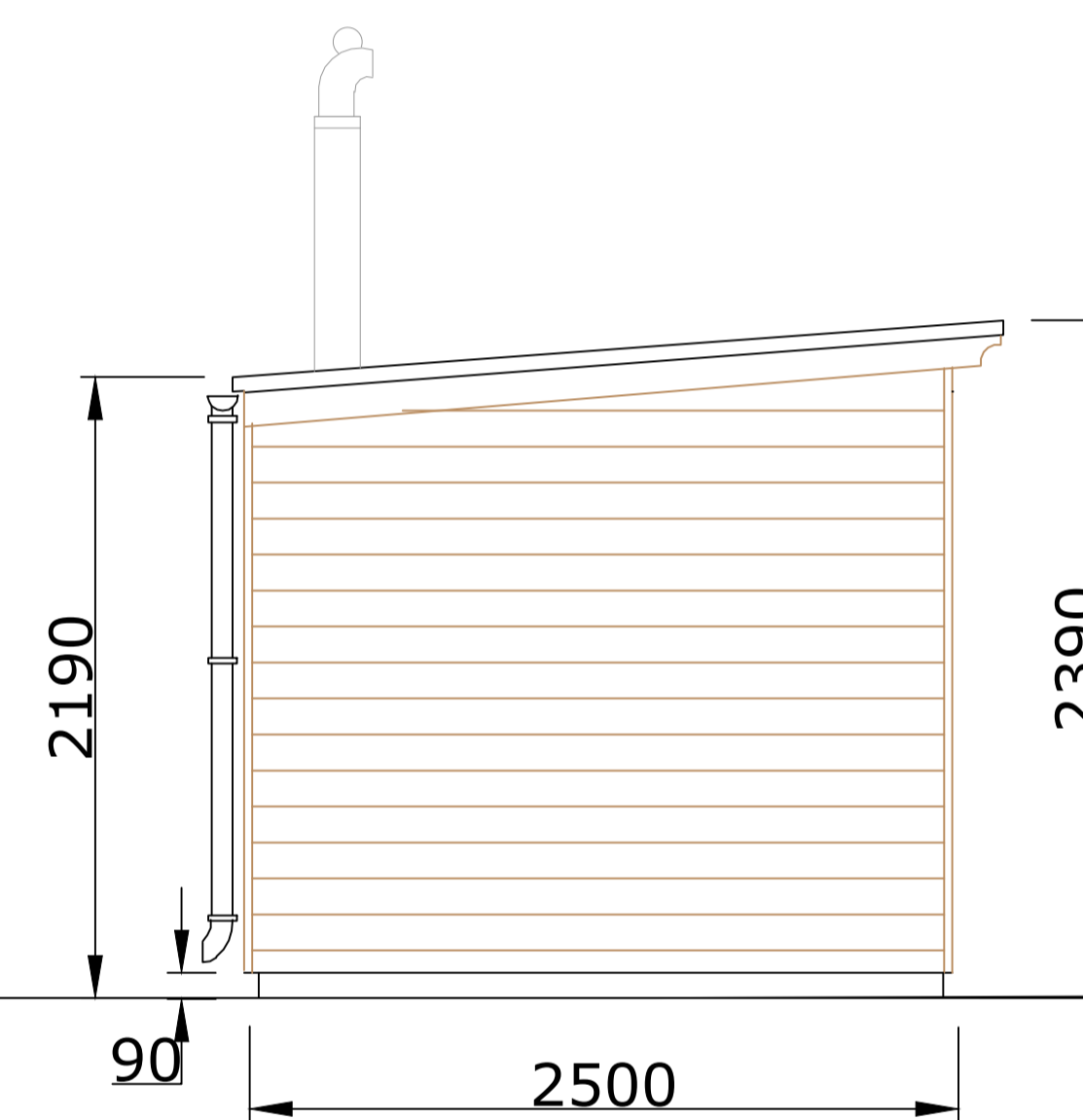
**SITE PLAN**  
 \*SEE D006 FOR KEY & BLOWN UP LOCATION PLAN\*



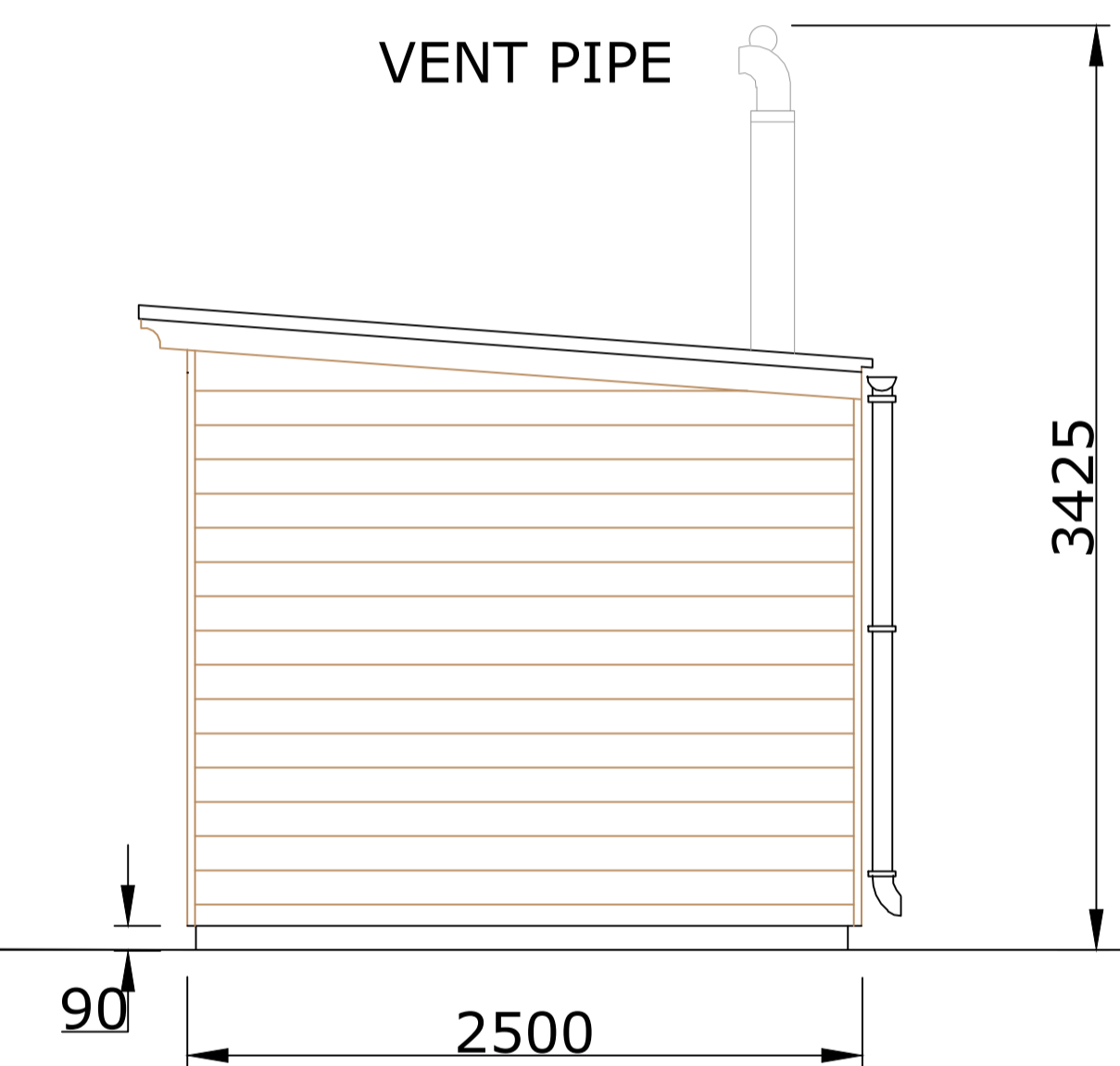
**STRUCTURE 'A'**  
**COMPUS TWIN FULL ACCESS TOILET**  
**FRONT ELEVATION**



**STRUCTURE 'A'**  
**COMPUS TWIN FULL ACCESS TOILET**  
**REAR ELEVATION**



**STRUCTURE 'A'**  
**COMPUS TWIN FULL ACCESS TOILET**  
**SIDE ELEVATION**



**STRUCTURE 'A'**  
**COMPUS TWIN FULL ACCESS TOILET**  
**SIDE ELEVATION**

**SPECIFICATIONS**  
 COMPUS TOILET TO BE STANDARD TIMBER FINISH.

-	07/04/22	ISSUED FOR APPROVAL
	DATE	COMMENTS
<i>Design Draughting Services Ltd</i>		
BUILDING 10, PARSONS COURT, WELBURY WAY, NEWTON AYCLIFFE, CO. DURHAM DL5 6ZE		
CLIENT	LUCY DONNER	
PROJECT	CLAREENCE CHARE	
DRAWN	DDS	DATE 07.04.22
SCALE	1:25 @ A1	
DRAWING No.	DDS948-D002	
TITLE	(STRUCTURE 'A') COMPUS TOILET PROPOSED ELEVATIONS	