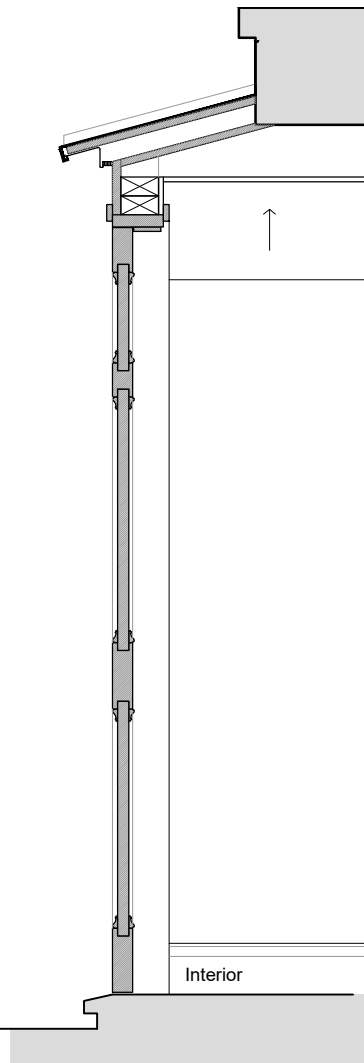


DOORSET TYPE 04

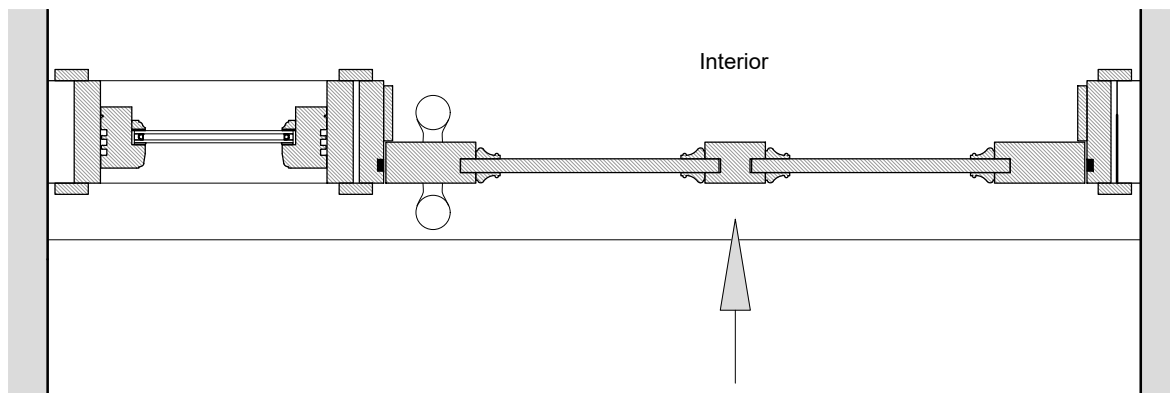
Timber panelled doorset & glazed side light: D.1.10

Elevation of Porch Entrance Door & Side Light: 1:20 scale @ A3

Lead Roof:
Ventilated Code 5 lead roof to falls with timber rolls and welted joint drip edge detail with concealed clips. Min 150mm lead upstand flashing bedded into masonry and carefully dressed over timber roll joints.



Section through Door: 1:20 scale @ A3



Typical Door Jamb Detail: 1:10 scale @ A3

DOORSET SPECIFICATION

New doorsets to be CE certified, timber panelled or ledged & braced as indicated. Door leaves to be solid core with plywood facings and concealed hardwood lippings to long edges, prepared for painting. Frames to be sustainably sourced hardwood as BS EN 942 table NA2, prepared for painting, appearance class J30

The exterior doorset is to be sustainably sourced hardwood as BS EN 942 table NA2, prepared for painting, appearance class J30

Size:
Doors to suit existing linings or openings in new partitions, as indicated. New door leaf size typically 2040h x 826mm, as drawn

Leaf thickness: Min 44mm thick for internal doors, 54mm thick for exterior doors

New lining thickness: Min 32mm thick

Glazing:
Glazing for the exterior door side to be Interior bead-fixed clear double-glazed unit. Bead profile to match existing sash window bead profile

Beading:
Solid timber applied bed mould beads as shown on the drawing,

to match existing profile as closely as possible. For the profile the control sample is to be taken from the existing original panelled doors at ground floor level

Architraves:

The architrave profile to match the existing profile for the retained existing openings at LG level, with base flush skirting block

Fire Seals:

- Fire & smoke seals as required. Seals to be located in lining, with cover caps to match finish

Ironmongery:

- Ironmongery is to be unlacquered brass hinges and knobs, to match existing upper floor ironmongery as closely as possible. To be sourced from architectural salvage where possible

Security:

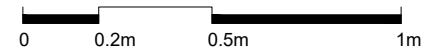
Exterior door & side light designed to PAS 24 security standard in accordance with the current Building Regulations

The use of this data by the recipient acts as an agreement of the following statements. Do not use this data if you do not agree with any of the following statements:-

All drawings are based upon site information supplied by third parties and as such their accuracy cannot be guaranteed. All features are approximate and subject to clarification by a detailed topographical survey, statutory service enquiries and confirmation of the legal boundaries.

Do not scale the drawing, except for planning purposes. Use figured dimensions in all cases. Check all dimensions on site.

Report any discrepancies in writing to Palmer Lunn Architects before proceeding.



Scale bar: 1:20 scale @ A3

P01 Planning 06.05.2022 NBa APa

Rev	Description	Date	Drn	Chk
-----	-------------	------	-----	-----

Status
PLANNING

Client
Mrs F Lanza

Project
16 Wilton Street
London, SW1X 7AX

Drawing
Door Schedule
Sheet 2 of 2

Project No.	Drawing No.	Revision
17007	WST-PL-16	P01
Scale @ A3	Drawn By	
1:20/1:10	NBa	